

Page No.

- 1-4** — Hood, Side Panels, Grills and Related Components
- 5** — Fenders, Tool Boxes and Related Components
- 6** — I & T Shop and Service Manuals
- 7-8** — Decals and Emblems

**MF12**

Sparex Replacement  
Massey Ferguson Parts

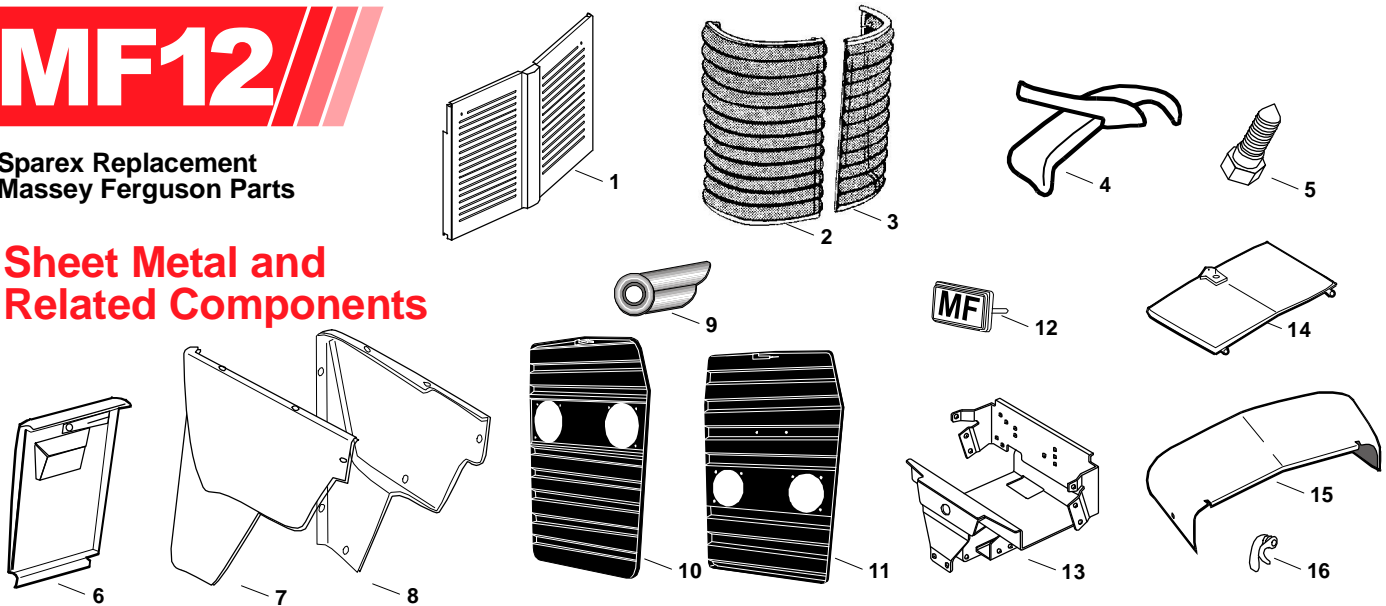
**Sheet Metal,  
Decals &  
Emblems,  
Manuals,  
and Related  
Components**

These parts are Sparex parts and are not manufactured by the Original Equipment Manufacturer. Original Manufacturers names, part numbers and descriptions are quoted for reference purposes only and are not intended to indicate that our replacement parts are made by the Original Equipment Manufacturer.

# MF12

Sparex Replacement  
Massey Ferguson Parts

## Sheet Metal and Related Components

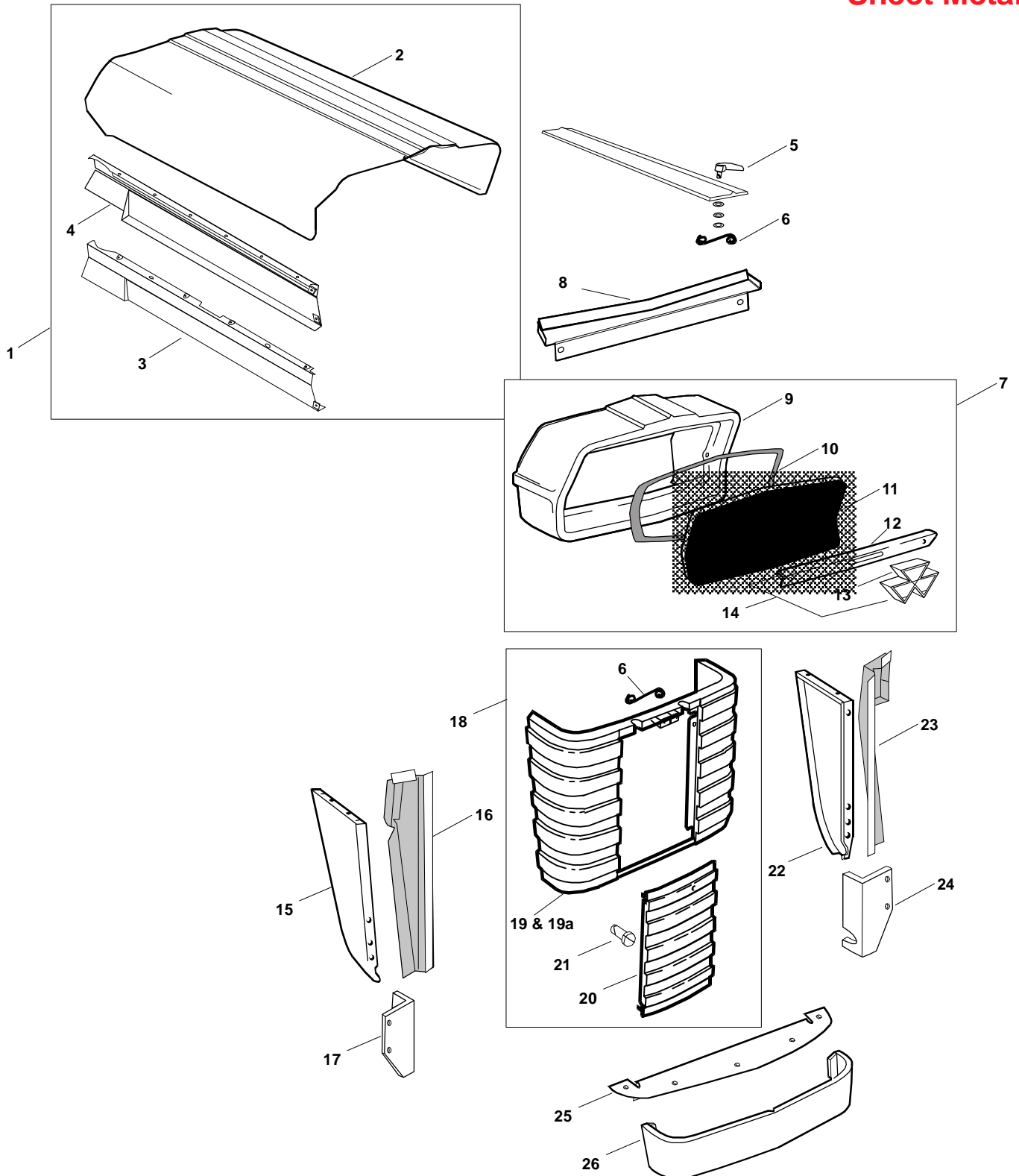


SPAREX No.	DESCRIPTION	EQUIVALENT	TRACTOR MODEL
1	S.61465 Grill - Restoration Quality	191383M91 180656M91	MF (35 SN 231863>), (35 >SN 231863 w/ early mounting brackets 189307M91 & 189308M91 - not available from Sparex)
2	S.60027 Grill - RH	182421M92	MH 50, MF 50, 65
3	S.60028 Grill - LH	183662M92	MH 50, MF 50, 65
4	S.60528 Ornament - Painted Red	182564M2	MH 50, MF 50, 65, 88, 95, Super 95
5	S.00555 Hood Pivot Bolt	180718M1	MF 35, 35UK, Ind. 35 Turf & Utility
6	S.60075 Battery Door w/ Latch	194783M2 512548M91	MF 150, 165, 175, Ind. 30, 31, 3165
7	S.60030 Side Panel - RH	194840M1	MF 150, 165, 175, Ind. 30, 31, 3165
8	S.60026 Side Panel - LH	194841M1	MF 150, 165, 175, Ind. 30, 31, 3165
9	S.66561 Winged Headlight Bracket - RH	510438M1	MF 35, 135, 150, 165, 175 Ind. 2135
9	S.66562 Winged Headlight Bracket - LH	510439M1	MF 35, 135, 150, 165, 175 Ind. 2135
10	S.41442 Grill	1687819M91 1688814M92 3701928M91	MF 240, 250, (253 2 wd), Ind. 20D, 20E
11	S.41441 Grill	1687817M91	MF 270, 283, 283UK, 290, 298, 670 (SN L255037>), 690 (SN L255037>), 699 (SN L258027>)
12	S.41443 Emblem - Plastic	1682944M1 1682944M91	MF 154-4, 174-4, 194-4, 240, 250, 254-4, 270, 274-4, 282, 283, 283UK, 290, 294-4, 298, 670, 690, 698, 699, Ind. 20D, 20E, 20F, 30E, 30H, 40E, 50E, 50F, 50H, 60H
13	S.42633 Battery Box	1868339M91 1691587M91 1474522M93	MF 240, (250 8 speed or manual shuttle), Ind. 20E, 20D, 20F, 30E, 40E
14	S.60989 Battery Door	535938M91	MF 230, (235 SN 9A229258>), (245 >SN 9A349239), (265 Orchard >SN 9A349239), Ind. 20C, 30B
15	S.60045 Battery Door - Restoration Quality	1674980M92	MF 240, 250 Low Profile, Ind. 20D, 20F, 30E, 40E
16	S.41228 Latch - Battery Door	897788M91	MF 135UK

These parts are Sparex parts and are not manufactured by the Original Equipment Manufacturer. Original Manufacturers names, part numbers and descriptions are quoted for reference purposes only and are not intended to indicate that our replacement parts are made by the Original Equipment Manufacturer.



## Sheet Metal



These parts are Sparex parts and are not manufactured by the Original Equipment Manufacturer. Original Manufacturers names, part numbers and descriptions are quoted for reference purposes only and are not intended to indicate that our replacement parts are made by the Original Equipment Manufacturer.

## Sheet Metal

SPAREX No.	DESCRIPTION	EQUIVALENT	TRACTOR MODEL
1	<b>S.61938</b> Hood Kit - Contains: Hood, LH & RH Side Panels	512953M91 512956M92 512915M91	<b>MF 135, Ind. 20, 2135</b>
2	<b>S.60164</b> Hood	512953M91	<b>MF 135, Ind. 20, 2135</b>
3	<b>S.60162</b> Side Panel - RH	512956M92	<b>MF 135, Ind. 20, 2135</b>
4	<b>S.60163</b> Side Panel - LH	512915M91	<b>MF 135, Ind. 20, 2135</b>
5	<b>S.41229</b> Latch - Hood Inspection Panel	1888296M91 897793M91 885365M91	<b>MF 135UK, 165UK, 175UK, 178</b>
6	<b>S.41556</b> Spring Clip - Latch	828224M1	<b>MF 35, 135UK, 165UK, 175UK, 178</b>
7	<b>S.60000</b> Nose Cap Assembly - Contains: Nose Cap, Screen, Crossbar, Emblem		<b>MF 135, 150, 165, 175, 180, Ind. 20, 30, 31, 2135, 3165</b> (Screen seal not included)
8	<b>S.42988</b> Upper Panel - Front Grill	512601M1	<b>MF 135, Ind. 2135</b>
9	<b>S.60001</b> Nose Cone - Empty		<b>MF 135, 150, 165, 175, 180, Ind. 20, 30, 31, 2135, 3165</b>
10	<b>S.42764</b> Gasket - Nose Cap	194252M1 505475M2	<b>MF 135, 150, 165, 175, 180, Ind. 20, 30, 31, 2135, 3165</b>
11	<b>S.60005</b> Screen - Nose Cap	194236M92	<b>MF 135, 150, 165, 175, 180, Ind. 20, 30, 31, 2135, 3165</b>
12	<b>S.41216</b> Crossbar - Chrome - Metal	883111M2	<b>MF 135, 150, 165, 175, 180, Ind. 20, 30, 31, 2135, 3165</b>
13	<b>S.41215</b> Emblem - Chrome - Metal	883645M1	<b>MF 135, 150, 165, 175, 180, Ind. 20, 30, 31, 2135, 3165</b>
14	<b>S.60002</b> Crossbar & Emblem Assembly - Plastic		<b>MF 135, 150, 165, 175, 180, Ind. 20, 30, 31, 2135, 3165</b>
15	<b>S.41335</b> Panel - Hood Support - RH	510457M2 194187M1	<b>MF 135, 150, Ind. 20, 2135</b>
16	<b>S.61191</b> Panel Assembly - Seal - RH	505468M91	<b>MF 135, Ind. 2135</b>
17	<b>S.61193</b> Support - RH	194203M91	<b>MF 135, Ind. 20, 2135</b>
18	<b>S.60535</b> Grill & Door Set - 14" Door (Note: Screw & Clip not included)	194192M92 194182M91	<b>MF 135, Ind. 20, 2135</b>
18	<b>S.60565</b> Grill & Door Set - 14" Door (Note: Screw & Clip not included)	506319M93 194181M91	<b>MF 150, 165, 175, Ind. 30, 31, 3165</b>
19	<b>S.41204</b> Grill - less Screen Clip - 13" Tall, 9" Door	1882982M92	<b>MF (135UK &gt;SN 400000)</b> (Note: Will work on USA Tractors if 9" door is used also)
19	<b>S.41205</b> Grill - less Screw Clip - 14" Tall, 9" Door		<b>MF (135UK SN 400000&gt;)</b>
19	<b>S.60043</b> Grill - less Screw Clip - 13" Tall, 14" Door Restoration Quality	194192M92	<b>MF 135, Ind. 20, 2135</b>
19	<b>S.41206</b> Grill - less Screw Clip - 9" Door	897949M91	<b>MF 165UK, 175UK, 178</b> (Note: Will work on USA Tractors if 9" door is used also)
19	<b>S.60643</b> Grill - less Screw Clip - 14" Door Restoration Quality	506319M93	<b>MF 150, 165, 175, Ind. 30, 31, 3165</b>
19a	<b>S.41207</b> Grill w/ Headlamp Holes - less Screw Clip 13" Tall, 9" Door	1886314M91	<b>MF (135UK &gt;SN 400000)</b>
19a	<b>S.41208</b> Grill w/ Headlamp Holes - less Screw Clip 14" Tall, 9" Door	1861364M91	<b>MF (135UK SN 400000&gt;)</b>

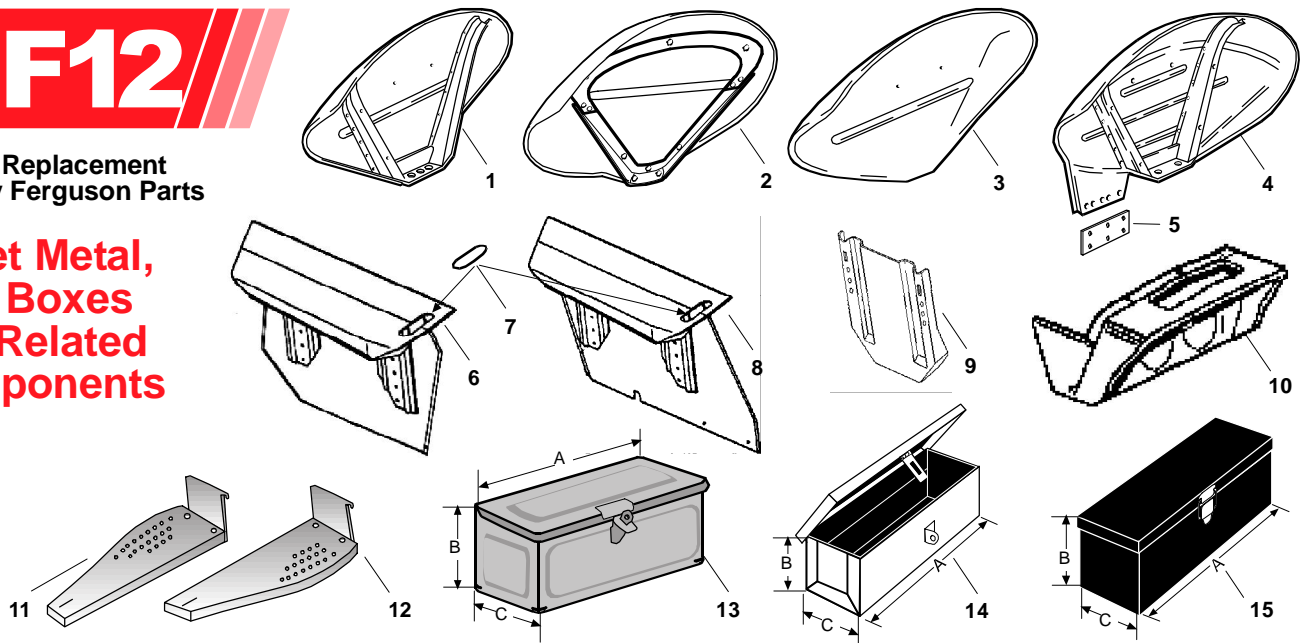
SPAREX No.	DESCRIPTION	EQUIVALENT	TRACTOR MODEL
19a	<b>S.41209</b> Grill w/ Headlamp Holes - less Screw Clip 9" Door	1860167M91 898542M92	<b>MF 165UK, 175UK, 178</b>
20	<b>S.41210</b> Door - 13" Tall, 9" Wide	1882984M92	<b>MF (135UK &gt;SN 400000) (Fits S.41204, S.41207 Grill)</b>
20	<b>S.41211</b> Door - 14" Tall, 9" Wide	1861374M91	<b>MF (135UK SN 400000&gt;)</b>
20	<b>S.60044</b> Door - 13" Tall, 14" Wide - Restoration Quality	194182M91	<b>MF 135, Ind. 20, 2135, (Fits S.60043)</b>
20	<b>S.41212</b> Door - 9" Wide	847848M91 897960M92	<b>MF 165UK, 175UK, 178 (Fits S.41206, S.41209 Grill)</b>
20	<b>S.60040</b> Door - 14" Wide - Restoration Quality	194181M91	<b>MF 150, 165, 175, Ind. 30, 31, 3165 (Fits S.60643 Grill)</b>
21	<b>S.71127</b> Screw - Door Retaining	897819M1	<b>MF 135, 135UK, 165, 165UK, 175, 175UK, 178, Ind. 20, 30, 31, 2135, 3165 (Use w/ S.41556 Spring Clip)</b>
22	<b>S.41336</b> Panel - Hood Support -LH	510458M2 194457M1	<b>MF 135, 150, Ind. 20, 2135</b>
23	<b>S.61192</b> Panel Assembly - Seal - LH	505469M91	<b>MF 135, Ind. 2135</b>
24	<b>S.61194</b> Support - LH	194422M91	<b>MF 135, Ind. 20, 2135</b>
25	<b>S.61190</b> Lower Seal Plate	194169M91	<b>MF 135, Ind. 20, 2135</b>
26	<b>S.41337</b> Lower Pan	194147M1	<b>MF 135, Ind. 20 Turf, 2135 Turf</b>

These parts are Sparex parts and are not manufactured by the Original Equipment Manufacturer. Original Manufacturers names, part numbers and descriptions are quoted for reference purposes only and are not intended to indicate that our replacement parts are made by the Original Equipment Manufacturer.

# MF12

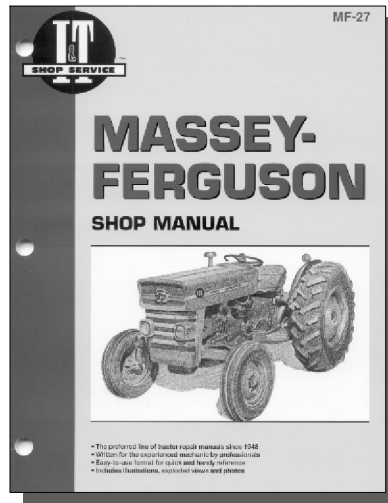
Sparex Replacement  
Massey Ferguson Parts

Sheet Metal,  
Tool Boxes  
and Related  
Components



SPAREX No.	DESCRIPTION	EQUIVALENT	TRACTOR MODEL
1	S.41477 Fender w/ Bracket	180707M92 526905M91	MF 35, 135, 230, 235, 245, 2135, Ind. 20
2	S.66428 Fender Assembly Original Style Bracket	180707M92	MF 35, 135, 230, 235, 245, 2135, Ind. 20
3	S.60680 Fender Skin	526904M91	MF 35, 135, 230, 235, 245, 2135, Ind. 20
4	S.41478 Fender w/ Brackets - RH	1884286M97	MF 240, 250, 253, 270, 298, Ind. 20D, 20F, 30E, 50E
4	S.41479 Fender w/ Brackets - LH	1884287M97	MF 240, 250, 253, 270, 298, Ind. 20D, 20F, 30E, 50E
5	S.42162 Fender Extension	884219M1	Same as Above
6	S.61376 Flat Top Fender - RH (Use S.61471 Grommet)	522390M91	MF 135, 150, 165, 175, 180, Ind. 30
6	S.61377 Flat Top Fender - LH (Use S.61471 Grommet)	526912M91	MF 135, 150, 165, 175, 180, Ind. 30
7	S.61471 Hand Hole Grommet		
8	S.61366 Flat Top Fender - RH (Use S.61471 Grommet)	530966M92	MF 235, 245, 255, 265, 275, 285, Ind. 30, 31
8	S.61367 Flat Top Fender - LH (Use S.61471 Grommet)	530967M92	MF 235, 245, 255, 265, 275, 285, Ind. 30, 31
9	S.61847 Flat Top Fender Bracket		MF 135, 150, 165, 175, 180, 235, 245, 255, 265, 275, 285, Ind. 30, 31
10	S.61590 Fender Headlamp Housing w/ 2 Headlamp Holes	506262M2	MF 135, 150, 165, 175, 180, (or S.61376 or S.61377 w/ modification)
11	S.61128 Step Plate Assembly - LH less Rear Brackets		MF 35 Gas, 35UK, 35 Turf & Utility
12	S.61127 Step Plate Assembly - RH less Rear Brackets	180717M91	MF 35 Gas, 35UK, 35 Turf & Utility
13	S.42931 Tool Box - Red Primer (A=11", B=4 1/2", C=4")	1662749M91 909616M94	MF 165UK, 240, 250, 670, 690, 698, 699, Ind. 20E, 20F, 30E, 40E, 50E
14	S.60518 Tool Box - Grey (A=16 1/2", B=4 3/4", C=4 1/2")		Universal
15	S.75928 Tool Box - Black (A=16", B=4 3/4", C=5") Lid opens flat against surface		Universal

These parts are Sparex parts and are not manufactured by the Original Equipment Manufacturer. Original Manufacturers names, part numbers and descriptions are quoted for reference purposes only and are not intended to indicate that our replacement parts are made by the Original Equipment Manufacturer.



# MF12

Sparex Replacement  
Massey Ferguson Parts

**I & T Shop and  
Service Manuals**

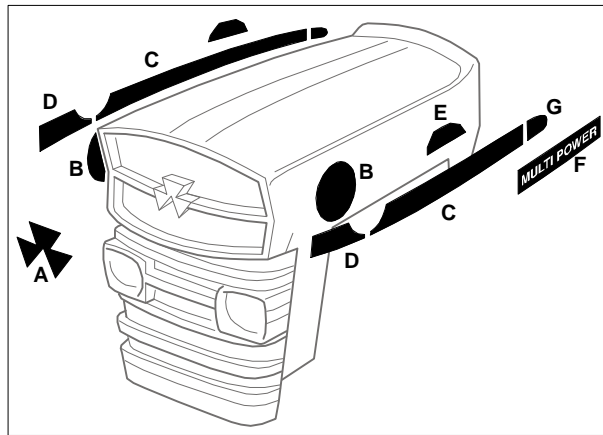
SPAREX No.	DESCRIPTION	EQUIVALENT	TRACTOR MODEL
MF14	I & T Shop and Service Manual		MF 35 Diesel, MH50, MHF202, 35, 50, 202, 204
MF27	I & T Shop and Service Manual		MF 135, 150, 165
MF36	I & T Shop and Service Manual		MF 285
MF41	I & T Shop and Service Manual		MF 670, 690, 698
MF42	I & T Shop and Service Manual		MF 230, 235, 240, 245, 250
MF43	I & T Shop and Service Manual		MF 255, 265, 270, 275, 290
MF44	I & T Shop and Service Manual		MF 3505, 3525, 3545
MF45	I & T Shop and Service Manual		MF 362, 365, 375, 383, 390, 390T, 398
MF46	I & T Shop and Service Manual		MF 350, 355, 360, 399
MF47	I & T Shop and Service Manual		MF 1010, 1020 Std Hydro
MF201	I & T Shop and Service Manual		MF 65, 85, 88, Super 90, Super 90WR, 1100, 1130, 1150, 1105, 1135, 1155, 1080, 1085
MF202	I & T Shop and Service Manual		MF 175, 180, 205, 210, 220, 2675, 2705, 2745, 2775, 2805

These parts are Sparex parts and are not manufactured by the Original Equipment Manufacturer. Original Manufacturers names, part numbers and descriptions are quoted for reference purposes only and are not intended to indicate that our replacement parts are made by the Original Equipment Manufacturer.

# MF12

Sparex Replacement  
Massey Ferguson Parts

## Decals and Emblems



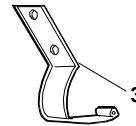
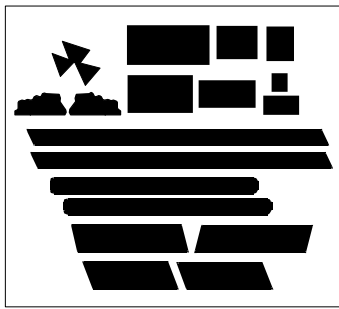
SPECIAL

DIESEL DELUXE

DELUXE

1	SPAREX No.	DESCRIPTION							EQUIVALENT	TRACTOR MODEL
		A	B	C	D	E	F	G		
1	S.41177	x1		x2		x2			MF 35	
1	S.60342	x1		x2		x2			MF 35 Special	
1	S.60355	x1		x2		x2			MF 35 Deluxe Diesel	
1	S.60398	x1		x2		x2			MF 35 Deluxe	
1	S.41178	x1		x2		x2			MF 35X	
1	S.60400	x1		x2		x2			MF 50	
1	S.41179	x1		x2		x2			MF 65	
1	S.41180	x1		x2	x2		x2		MF 135, 148	
1	S.41181	x1	x2	x2	x2		x2		MF 165	
1	S.41183	x1	x2	x2	x2		x2		MF 175	
1	S.41184	x1	x2	x2	x2		x2		MF 178	
1	S.41187			x2					MF 230	
1	S.41188			x2					MF 240	
1	S.41189			x2					MF 250	
1	S.41190			x2				x2	MF 265 (Straight Side Decals)	
1	S.41191			x2				x2	MF 275 (Straight Side Decals)	
1	S.41192			x2				x2	MF 290	
1	S.41193			x2				x2	MF 298	
1	S.42466			x2				x2	3900318M91 MF 360	
1	S.42468			x2				x2	3900321M92 MF 375	
1	S.60493			x2				x2	MF 383	
1	S.42469			x2				x2	3901083M91 MF 390	
1	S.42470			x2				x2	3901084M91 MF 390T	
1	S.42471			x2				x2	3900323M91 MF 398	
1	S.60502			x2				x2	MF 399	
1	S.41200			x2					MF 690	
1	S.41202			x2					MF 698 4WD	
1	S.41203			x2					MF 699	
1	S.60621			x2				x2	MF 1080	
1	S.60925			x2				x2	MF 1100	
1	S.61147			x2				x2	MF 1130	
2	S.61148	Decal "Special" (Set of 2)								MF 35
3	S.61882	Decal "Diesel Deluxe" (Set of 2)								MF 35
4	S.61358	Decal "Deluxe" (Set of 2)								MF 35

These parts are Sparex parts and are not manufactured by the Original Equipment Manufacturer. Original Manufacturers names, part numbers and descriptions are quoted for reference purposes only and are not intended to indicate that our replacement parts are made by the Original Equipment Manufacturer.



Sparex Replacement  
Massey Ferguson Parts

## Decals and Emblems



SPAREX No.	DESCRIPTION	EQUIVALENT	TRACTOR MODEL
1	<b>S.60053</b> Decal Sets - Premium Quality for Complete Tractor		<b>Massey Harris 30</b>
1	<b>S.60184</b> Decal Sets - Premium Quality for Complete Tractor		<b>Massey Harris 33</b>
1	<b>S.60328</b> Decal Sets - Premium Quality for Complete Tractor		<b>Massey Harris 44</b>
1	<b>S.60341</b> Decal Sets - Premium Quality for Complete Tractor		<b>Massey Harris Pony</b>
1	<b>S.60007</b> Decal Sets - Premium Quality for Complete Tractor		<b>MF 35</b>
1	<b>S.60006</b> Decal Sets - Premium Quality for Complete Tractor		<b>MF 135</b>
1	<b>S.60165</b> Decal Sets - Premium Quality for Complete Tractor		<b>MF 150, 165, 175</b>
2	<b>S.41217</b> Complete Medallion w/ Decal - Plastic	1865460 M1	<b>MF 135</b>
2	<b>S.42548</b> Complete Medallion w/ Decal - Plastic	194845M2	<b>MF 165</b>
2	<b>S.42550</b> Complete Medallion w/ Decal - Plastic	194846M2	<b>MF 175</b>
2	<b>S.42551</b> Complete Medallion w/ Decal - Plastic	1861071M1	<b>MF 178</b>
3	<b>S.60794</b> Medallion Bracket	194811M92	<b>MF 150, 165, 175, Ind. 30, 31, 3165</b>
4	<b>S.42848</b> MF Decal - Hood		<b>MF 235 (Hump)</b>
4	<b>S.42849</b> MF Decal - Hood		<b>MF 245 (Hump)</b>
4	<b>S.42850</b> MF Decal - Hood		<b>MF 255 (Hump)</b>
4	<b>S.42851</b> MF Decal - Hood		<b>MF 265 (Hump)</b>
4	<b>S.42852</b> MF Decal - Hood		<b>MF 275 (Hump)</b>
4	<b>S.42853</b> MF Decal - Hood		<b>MF 285 (Hump)</b>
4	<b>S.60662</b> MF Decal - Hood		<b>MF 1085 (Hump)</b>
4	<b>S.61106</b> MF Decal - Hood		<b>MF 1105 (Hump)</b>
4	<b>S.61928</b> MF Decal - Hood		<b>MF 1135 (Hump)</b>
4	<b>S.61954</b> MF Decal - Hood		<b>MF 1155 (Hump)</b>
5	<b>S.02094</b> Multi-Power Decal	880780M1	<b>All Models with Multi-Power</b>
6	<b>S.02089</b> Triple Triangle Decal - 6" Dia		
6	<b>S.02090</b> Triple Triangle Decal - 4" Dia		

These parts are Sparex parts and are not manufactured by the Original Equipment Manufacturer. Original Manufacturers names, part numbers and descriptions are quoted for reference purposes only and are not intended to indicate that our replacement parts are made by the Original Equipment Manufacturer.