

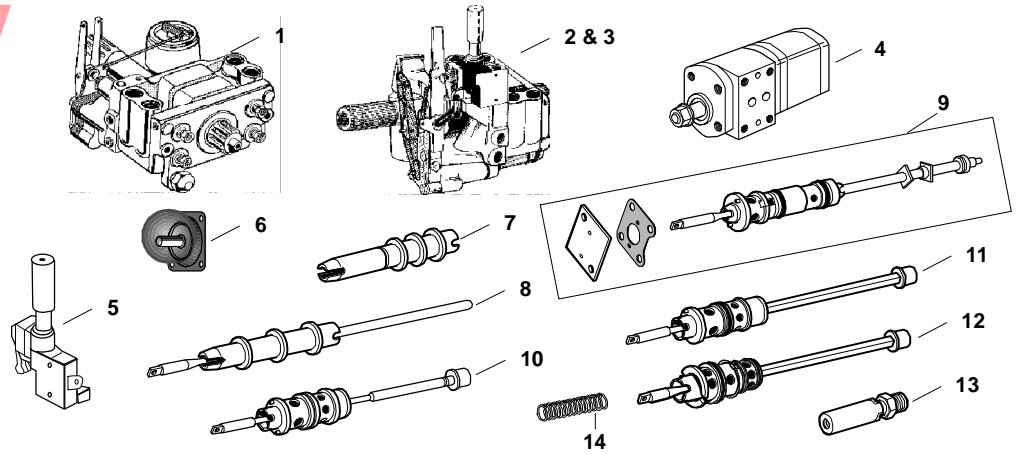
**Hydraulic Lift  
Pumps and  
Related  
Components**

- 1** — **Hydraulic Pumps and Related Components**
- 2-4** — **Hydraulic Pump Repair Kits and Related Components**
- 5-6** — **Auxiliary Pumps, Radial Pumps, Filters and Related Components**
- 7-10** — **Hydraulic Lift Covers and Related Components**
- 11-13** — **Hydraulic Lift Cylinders and Related Components**
- 14** — **Hydraulic Quick Couplers and Related Components**

# MF7

Sparex Replacement  
Massey Ferguson Parts

## Hydraulic Pumps and Related Components



SPAREX No.	DESCRIPTION	EQUIVALENT	TRACTOR MODEL
1	<b>S.60461</b> Hydraulic Pump Assembly - 10 Spline	184473M93	<b>MF 35, 50, 65, Ind. 35 Turf &amp; Utility, 202, 203, 204, 205</b>
2	<b>S.42258</b> Hydraulic Pump Assembly 21 Spline - less Pressure Control	1683301M92	<b>MF 230, 240 Late Production less Auxiliary Hyd), (240 SN 522354-A20286 w/ Horizontal Mounted Safety Valve), 245, (250 Late Production less Auxiliary Pump), (253 &gt;Eng SN 26/08/91 w/ Auxiliary Hyd), 255, 265, 275, 283, 283 Brazil, 290, 298, (670 Late Production), 690, 698, 699, Ind. 20D, 20E, 20F, (30E less Auxiliary Hyd), 40E</b>
3	<b>S.60468</b> Hydraulic Pump Assembly 21 Spline - w/ Pressure Control	1672251M92 1675125M92 1868439M98	<b>MF 230, 235, 240, 245, 250, 255, 265, 270, 275, 282, 283, 290, 298, 670, 690, 698, 699, Ind. 20C, 20D, 20E, 20F, 30, 30B, 30E, 31, 40, 40B, 40E, 50C</b>
4	<b>S.42143</b> Hydraulic Pump - Tandem Sundstrand	3597706M91 3701005M91	<b>MF 362, 375, 383, 390, 390T, 398</b>
4	<b>S.42172</b> Hydraulic Pump - Tandem	3382280M1 3616060M1	<b>MF 3050, 3060, 3065, 3070, 3075, 3090, 3120, 3120T, 3140, 6150</b>
5	<b>S.42029</b> Valve - Pressure Control	1680061M91	<b>MF 231, (240 SN 522354-A20286), (245 &gt;SN 9A349339), 261, 265, 275, 282, (285 &gt;SN 9A349339), 298, 698, 699, 1085, Ind. 20C, 20E, 30B, 40B</b>
6	<b>S.41877</b> Diaphragm - Pressure Control	1860114M91	<b>MF 135, 135UK, (150 w/ Rear Axle 512654P93 SN FA105&gt;, 512655P93 SN FA101&gt;), (165, 175, 180 SN CA2366&gt;), 165UK, (230 &gt;SN 9A349239), 231, 235, (240 SN 522354-A20286), (245 &gt;SN 9A349239), 255, 261, 265, 275, 282, (285 &gt;SN 9A349239), 298, 698, 699, 1085, Ind. 20C, 20E, 30, 30B, 31, 40, 40B, 50C</b>
7	<b>S.00706</b> Control Valve	189427M92	<b>MF 35, 35UK, 50, 65, Ind. 35 Turf &amp; Utility</b>
8	<b>S.00698</b> Control Valve - MKI Pump	897507M94	<b>MF 135, 150, 165, 175, 180</b>
9	<b>S.00708</b> Control Valve - MKII Pump Conversion Kit to Replace 897507M94	1862486M96	<b>MF 135, 150, 165, 175, 180</b>
10	<b>S.17269</b> Control Valve - MKIII Pump w/ Round Shaft, less Pressure Control	1870763M92	<b>MF (165UK SN 136610&gt;), 230, 231, (235 except w/ Lift Cover Casting #1861320M1), 240, (245 &gt;SN 9A349239), 250, 255, 265, 275, Ind. 20C, 30, 30B, 30E, 31, 40, 40B, 50C, 50E</b>
11	<b>S.04785</b> Control Valve - MKIII Pump Late Style Square Shaft	1681789M91	<b>MF 230*, 231, 235*, 240+, 245*, 250, 253+, 255, 265, 270, 275, 290, 298, 360+, 362+, 365, 375+, 393+, 390+, 390T+, 398+, 399+, 670, 690, 698, 699, Ind. 20C, 20D, 30, 30B, 30D, 30E, 31*, 40*, 40B, 40E, 50C, 50D, 50E, (* Will fit MKIII Pumps w/ Rear Mounted Safety Valve, + &gt;SN 26/08/91)</b>
11	<b>S.42101</b> Control Valve	3611085M91	<b>MF 240*, 253*, 283UK, 360*, 362*, 375*, 383*, 390*, 390T*, 393, 396, 398*, 399*, Ind. (20F w/ Vertical Mounted Control Valve) (* SN 26/08/91&gt;)</b>
12	<b>S.17630</b> Control Valve	1617141M91	<b>MF 285, 1085</b>
13	<b>S.00702</b> Relief Valve * 2300/2800 PSI	828927M92	<b>MF(135UK, 165UK, 175UK, 178 less Pressure Control), 231, (240 SN 522354-A20286), (240 SN A20286&gt; w/out Auxiliary Hyd), (253 w/ Auxiliary Hyd), 261, (375* &gt;SN B18008), 383, (390*, 390T &gt;SN B18008), 670*, 690*, 698*, 699*, Ind. 20D, 20F, (40E w/ Live PTO)</b>
13	<b>S.03358</b> Relief Valve * 2700/3200 PSI Alternative to S.00702	884747M92 884747M93	<b>MF135, 150, 165, 175, 180, 230, 235, 240, 245, 253, 255, 265, 270, 275, 283, 290, 298, 670, 690, 699, Ind. 20, 20C, 30, 30B, 30D, 30E, 31, 40, 40B, 40E, 50C, 50D, 50E</b>
13	<b>S.03271</b> Relief Valve * 2500 / 3000 PSI	883402M92	<b>MF 135, (135UK, 165UK, 175UK, 178 w/ Pressure Control), 150, 165, 175, 180, 230, 235, 240, 245, 250, 2640, 2675, 2705, 2745, 2775, 2805, Ind. 20, 20C, 20D, 30, 30D, 30E, 31, 40, 50E, 35 Turf &amp; Utility, 2135, 3165</b>
14	<b>S.42164</b> Spring - Control Valve	180940M1	Used w/ all Control Valves

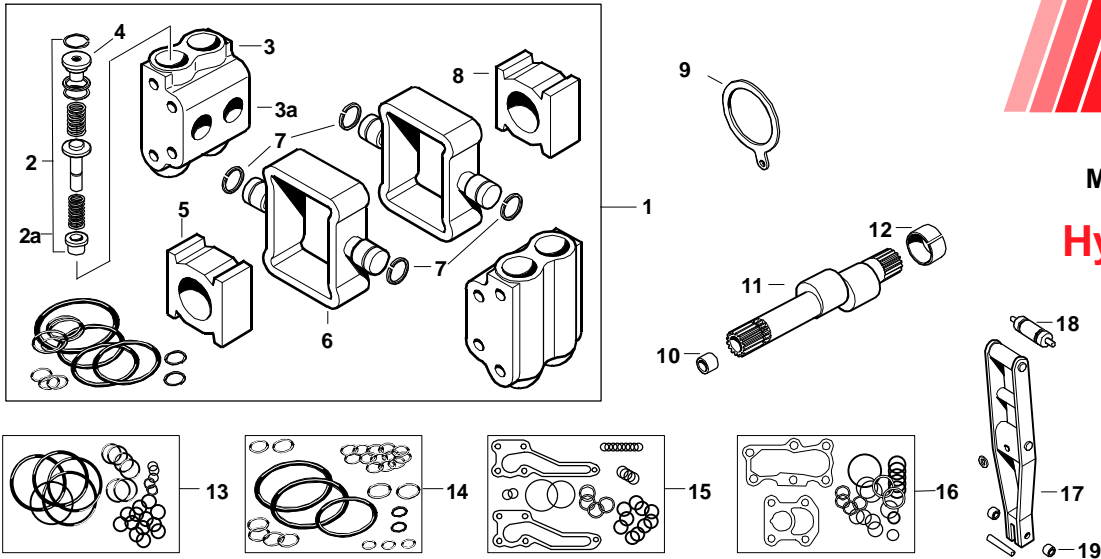
These parts are Sparex parts and are not manufactured by the Original Equipment Manufacturer. Original Manufacturers names, part numbers and descriptions are quoted for reference purposes only and are not intended to indicate that our replacement parts are made by the Original Equipment Manufacturer.





Sparex Replacement  
Massey Ferguson Parts

## Hydraulic Pump Repair Kits and Related Components



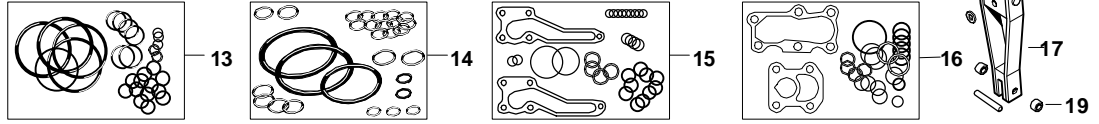
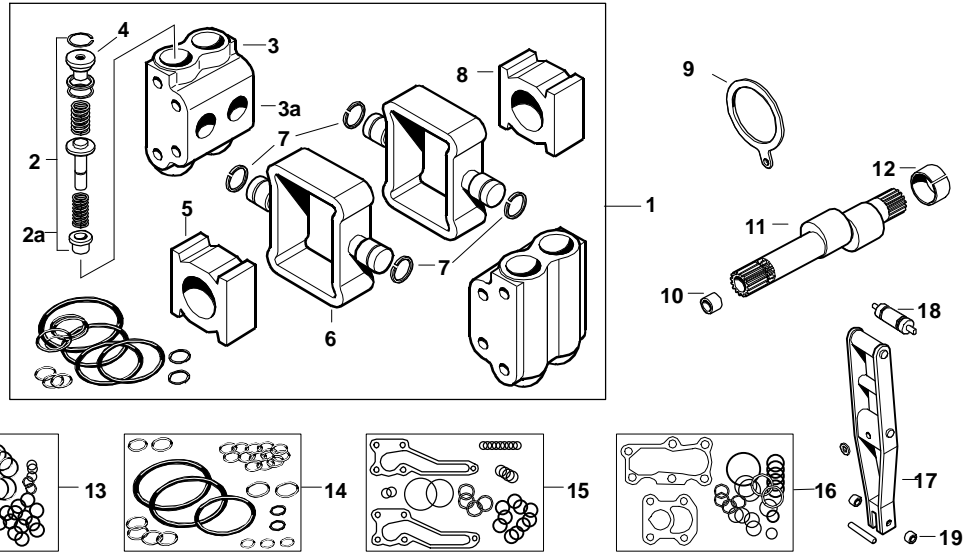
SPAREX No.	DESCRIPTION	EQUIVALENT	TRACTOR MODEL
1	<b>S.40843</b> Hydraulic Pump Rebuild Kit Valve Chamber w/ 5 holes		MF 35, 65
1	<b>S.40844</b> Hydraulic Pump Rebuild Kit - MKI Valve Chamber w/ 4 holes (7/16" Bottom Hole)		MF 135 Late, 165, 175, 178
1	<b>S.40845</b> Hydraulic Pump Rebuild Kit - MKIII Valve Chamber w/ 4 holes (1/2" Bottom Hole)		MF 135, 165, 230, 235, 240, 245, 250, 255, 265, 275, 285, 290, 298, 350, 390, 398, 399, 675, 690, 698, 698T, 699, 1080, 1085
2	<b>S.03274</b> Valve Chamber Rebuild Kit (2 required per pump)	1810678M91	MF 35, 35UK, 65, 135, 150, 165, 165UK, 175, 175UK, 178, 180, 230, 231, 235, 240, 245, 250, 255, 265, 275, 285, 290, 298, 390, 390T, 398, 399, 670, 690, 698, 699, 1080, 1085, Ind. 20C, 20D, 30B, 30D, 30E, 40B, 40E, 50C, 50E
2a	<b>S.42009</b> Valve & O-Ring Kit (Complete kit repairs both Chambers)	830997M91	MF 35, 50, 65, 135, 150, 165, 175, 180
3	<b>S.40846</b> Valve Chamber Assembly - (.91" Piston Bore) 5 holes in Chamber	184471M1	MF 35, 35UK, 50, 65, 135, 165, 175, Ind. 35 Turf & Utility, 2135
3	<b>S.40847</b> Valve Chamber Assembly - MKI (.900/.905" Piston Bore) 4 holes in Chamber (Bottom Hole 7/16" Dia)	897491M1	MF 135, 135UK, 150, 165, 165UK, 175, 175UK, 178, 180, Ind. 30, 40, 2135, 3165
3	<b>S.17369</b> Valve Chamber Assembly - MKII (.944/.949" Piston Bore)	888702M1	MF 135, 150, 165, 175UK, 178, 180, Ind. 20, 30, 40, 2135, 3165
3	<b>S.40848</b> Valve Chamber Assembly - MKIII 4 holes in Chamber (Bottom Hole 1/2" Dia)	1868435M3	MF 135, 135UK, 150, 165, 165UK, 175, 180, 230, 231, 235, 240, 245, 250, 253, 255, 261, 265, 270, 275, 282, 283, 283 Brazil, 283UK, 285, 290, 298, 360, 362, 375, 383, 390, 390T, 393, 396, 398, 399, 670, 690, 698, 699, 1085, Ind. 20, 20C, 20D, 20E, 20F, 30, 30B, 30D, 30E, 31, 40, 40B, 40E, 50C, 50D, 50E
3a	<b>S.03343</b> Valve Chamber - Bare Casting No Valves	188471M1	MF 35, 35UK, 50, 65, 135, 165, 175, Ind. 35 Turf & Utility, 2135
3a	<b>S.03344</b> Valve Chamber - Bare Casting No Valves - MKI	897491M1	MF 135, 135UK, 150, 165, 165UK, 175, 175UK, 178, 180, Ind. 30, 40, 2135, 3165
3a	<b>S.17370</b> Valve Chamber - Bare Casting No Valves - MKII	1868734M3	MF 135, 150, 165, 175UK, 178, 180, Ind. 20, 30, 40, 2135, 3165
3a	<b>S.40851</b> Valve Chamber - Bare Casting No Valves - MKIII	1868435M3	MF 135, 135UK, 150, 165, 165UK, 175, 180, 230, 231, 235, 240, 245, 250, 253, 255, 261, 265, 270, 275, 282, 283, 283 Brazil, 283UK, 285, 290, 298, 360, 362, 375, 383, 390, 390T, 393, 396, 398, 399, 670, 690, 698, 699, 1085, Ind. 20, 20C, 20D, 20E, 20F, 30, 30B, 30D, 30E, 31, 40, 40B, 40E, 50C, 50D, 50E
4	<b>S.17014</b> Plug - Valve Chamber - MKI	181999M1	MF 135, 135UK, 150, 165, 165UK, 175, 175UK, 178, 180, Ind. 30, 40, 2135, 3165
4	<b>S.42008</b> Plug - Valve Chamber - MKII	888700M1	MF 135, 150, 165, 175UK, 178, 180, Ind. 20, 30, 40, 2135, 3165

These parts are Sparex parts and are not manufactured by the Original Equipment Manufacturer. Original Manufacturers names, part numbers and descriptions are quoted for reference purposes only and are not intended to indicate that our replacement parts are made by the Original Equipment Manufacturer.

# MF7

Sparex Replacement  
Massey Ferguson Parts

## Hydraulic Pump Repair Kits and Related Components



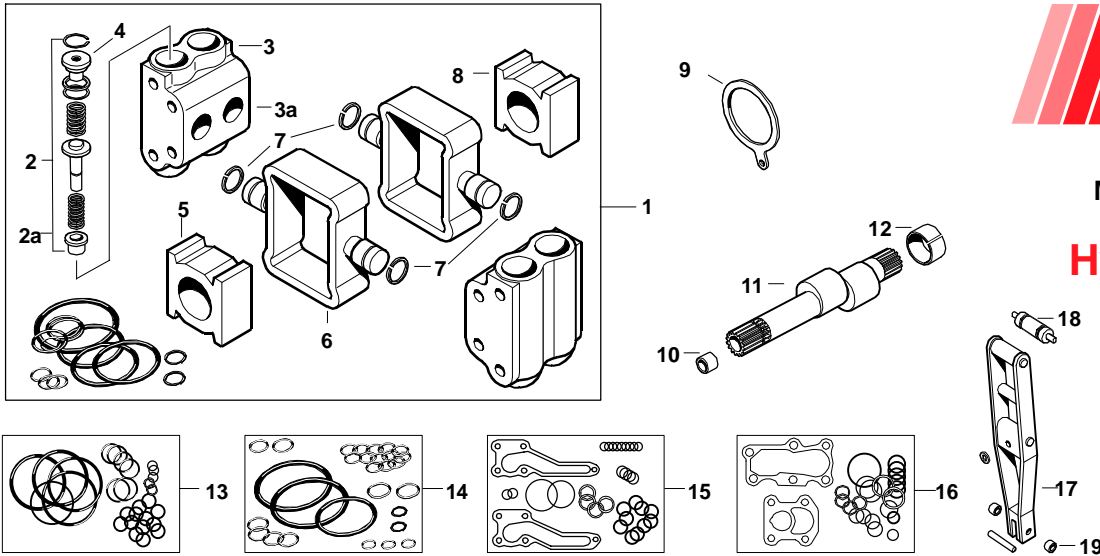
SPAREX No.	DESCRIPTION	EQUIVALENT	TRACTOR MODEL
4 <b>S.17334</b>	Plug - Valve Chamber - MKIII	1868741M1	<b>MF 135, 135UK, 150, 165, 165UK, 175, 180, 230, 231, 235, 240, 245, 250, 253, 255, 261, 265, 270, 275, 282, 283, 283 Brazil, 283UK, 285, 290, 298, 360, 362, 375, 383, 390, 390T, 393, 396, 398, 399, 670, 690, 698, 699, 1085, Ind. 20, 20C, 20D, 20E, 20F, 30, 30B, 30D, 30E, 31, 40, 40B, 40E, 50C, 50D, 50E</b>
5 <b>S.40857</b>	Cam Block - Front w/ Lip (Bronze)	180924M2 894607M1	<b>MF 35, 35UK, 50, 65, 135, 135UK, 150, 165, 165UK, 175, 175UK, 178, 180, 230, 231, 235, 240, 245, 250, 253, 255, 261, 265, 270, 275, 282, 283, 283 Brazil, 283UK, 285, 290, 298, 360, 362, 375, 383, 390, 390T, 393, 396, 398, 399, 670, 690, 698, 699, 1085, Ind. 20, 20C, 20D, 20E, 20F, 30, 30B, 30D, 30E, 31, 35 Turf &amp; Utility, 40, 40B, 40E, 50C, 50D, 50E</b>
6 <b>S.60031</b>	Piston - Uses No Rings	181043M1	<b>MF (35 &gt;SN 65684), (MH 50* &gt;SN 516837), Ind. 202*, 204* (*Split Casting Pump)</b>
6 <b>S.03346</b>	Piston (.909" Dia)	190799M1 184470M1	<b>MF 35, (35UK SN 65684&gt;), 50, 65, 135, 150, 165, 175, Ind. 35 Turf &amp; Utility, 202, 204, 2135 (Note: if original piston has no rings, order S.03353X2 ring)</b>
6 <b>S.03345</b>	Piston (.980" Dia) Use Sealing Rings	1860038M1 518475M1 897492M1	<b>MF 135, 135UK, 150, 165, 165UK, 175, 180, 230, 231, 235, 240, 245, 250, 255, 261, 265, 270, 275, 282, 283, 283 Brazil, 283UK, 285, 290, 298, 360, 362, 375, 383, 390, 390T, 393, 396, 398, 399, 670, 690, 698, 699, 1085, Ind. 20, 20C, 20D, 20E, 20F, 30, 30B, 30D, 30E, 31, 40, 40B, 40E, 50C, 50D, 50E, 2135, 3165</b>
7 <b>S.03354</b>	Piston Ring (.980" Piston)	897493M1	Same as Above
7 <b>S.03353</b>	Piston Ring (.909" Piston)	892604M1	<b>MF 35, (35UK SN 65684&gt;), 50, 65, 135, 150, 165, 175, Ind. 35 Turf &amp; Utility, 202, 204, 2135 (Note: if original piston has no rings, order S.03353X2 ring)</b>
8 <b>S.40858</b>	Cam Block - Rear	180925M2	<b>MF 35, 35UK, 50, 65, 135, 135UK, 150, 165, 165UK, 175, 180, 230, 231, 235, 240, 245, 250, 255, 261, 265, 270, 275, 282, 283, 283 Brazil, 283UK, 285, 290, 298, 360, 362, 375, 383, 390, 390T, 393, 396, 398, 399, 670, 690, 698, 699, 1085, Ind. 20, 20C, 20D, 20E, 20F, 30, 30B, 30D, 30E, 31, 35 Turf &amp; Utility, 40, 40B, 40E, 50C, 50D, 50E, 202, 204, 2135, 3165</b>
9 <b>S.41859</b>	Follower - Valve Oscillator	180933M1	Same as Above
10 <b>S.40870</b>	Needle Bearing	1000251M1	Same as Above
11 <b>S.60951</b>	Camshaft - 10 Spline	899154M91 899915M92 1809048M1	<b>MF (135 except w/ .91" Dia Pistons), 135UK, (165UK SN 512656&gt;), (150, 165, 175 except w/ .91" Dia Pistons), (175UK, 178 SN 705963&gt;), 180, 285, 1085, Ind. 20, 30, 31, 40 (2135, 3165 except w/ .91" Dia Pistons)</b>
11 <b>S.41505</b>	Camshaft - 21 Spline	1868544M91 1868544M92 1684620M91	<b>MF 135, 135UK, 150, 165, (165UK Eng SN 130773&gt;), 175, 230, 231, 235, 240, 245, 250, 255, 261, 265, 270, 275, 282, 283, 285, 290, 298, 360, (399 w/ 6.354.4 Eng), 670, 690, 698, 699, Ind. 20, 20C, 20D, 20E, 30, 30B, 30D, 30E, 31, 40, 40B, 40E, 50C, 50D, 50E</b>

These parts are Sparex parts and are not manufactured by the Original Equipment Manufacturer. Original Manufacturers names, part numbers and descriptions are quoted for reference purposes only and are not intended to indicate that our replacement parts are made by the Original Equipment Manufacturer.

# MF7

Sparex Replacement  
Massey Ferguson Parts

## Hydraulic Pump Repair Kits and Related Components



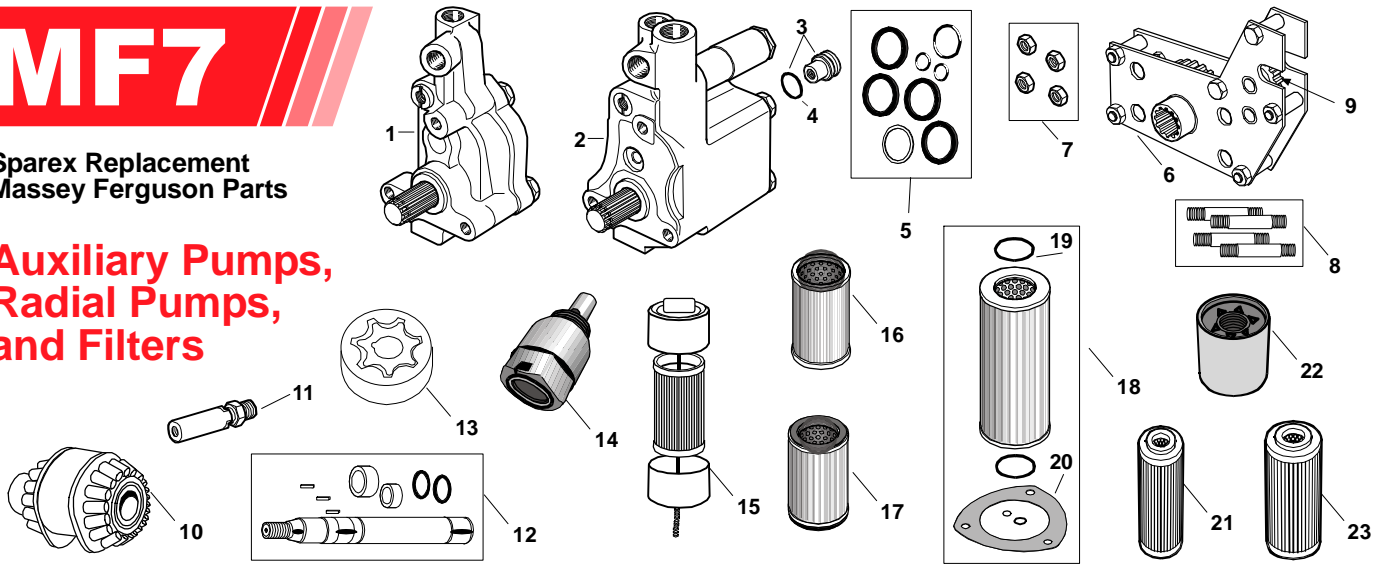
SPAREX No.	DESCRIPTION	EQUIVALENT	TRACTOR MODEL	
12	S.40871	Bushing (1 3/8" x 1 5/8" x 7/8")	1865012M1 1664491M2 195949M1	MF 35, 35UK, 50, 65, 135, 135UK, 150, 165, 165UK, 175, 175UK, 178, 180, 230, 231, 235, 240, 245, 250, 253, 255, 261, 265, 270, 275, 282, 283, 283 Brazil, 283UK, 285, 290, 298, 360, 362, 375, 383, 390, 390T, 393, 396, 398, 399, 670, 690, 698, 699, 1080, 1085, Ind. 20, 20C, 20D, 20E, 20F, 30, 30B, 30D, 30E, 31, 35 Turf & Utility, 40, 40B, 40E, 50C, 50D, 50E
13	S.01802	O-Ring Kit	894906M91	MF 35UK
14	S.41502	O-Ring Kit - MKI	1810467M91	MF (135UK >SN 447440), (165UK >SN 136610), 175UK, 178
15	S.40868	O-Ring & Gasket Kit - MKI & II	1810684M91	MF (135UK SN 447440>), (165UK SN 136610>), 175UK, 178
16	S.40869	O-Ring & Gasket Kit - MKIII	1810680M92	MF (240 SN 522354~A20286) (240 SN A20286>), 253, 283UK, 360, 362, 375, 383, 390, 390T, 393, 396, 398, 399, Ind. 20E, 20F, 40E
17	S.41482	Lever - Control Valve	189370M91	MF 35, 35UK, (50, 65 w/ Filter), Ind. 35 Turf & Utility, 202, 204
17	S.42007	Lever - Control Valve - MKI & II	897516M91	MF 135, 135UK, 150, 165, (165UK >SN 136610), 175, 180, 230, (235 w/ 1861320M1 on Lift Cover), 235 Vineyard, (245 w/ 1870955M1 or 884615M1 on Lift Cover), 245 Vineyard, (255 w/ 1861320M1 on Lift Cover), Ind. 20, (20C w/ 1870950M91 or 884612M92 on Lift Cover), 30, 31, 40, 215, 3165
17	S.42011	Lever - Control Valve - MKIII	1868471M91	MF (165UK SN 136610>), 230, 231, (235 except w/ 1861320M1 on Lift Cover & Vineyard), 240, (240 SN 522354~A20286 >SN 26/08/91), (245 except w/ 1870955M1 or 884615M1 on Lift Cover & Vineyard), 250, 253, (255 except w/ 1861320M1 on Lift Cover), 261, 265, 270, 275, 282, 283, 283 Brazil, (285 >SN 9A349239), 290, 298, 360, 362, (375 >SN B18008), (383 >SN 08-1981), (390, 390T, 398 >SN B18008), 399, 670, 690, 698, 699, 1085, Ind. (20C except w/ 1870950M91 or 884612M92 on Lift Cover), 20D, 20E, (20F w/ Horizontal Mounted Relief Valve), 30, 30B, 30D, 30E, (31 w/ 21 Spline Camshaft), 40, 40B, 40E, 50C, 50D, 50E
18	S.41424	Roller	898202M1	MF 135, 135UK, 150, 165, 165UK, 175, 175UK, 178, 180, 230, 231, 235, 240, 240, 245, 250, 253, 255, 261, 265, 270, 275, 282, 283, 283UK, 283 Brazil, 285, 290, 298, 360, 362, 375, 383, 390, 390T, 393, 396, 398, 399, 670, 690, 698, 699, 1085, Ind. 20, 20C, 20D, 20E, 20F, 30, 30B, 30D, 30E, 31, 40, 40B, 40E, 50C, 50D, 50E, 2135, 3165
19	S.60227	Pin & Roller Kit	897599M1x2 897504M1x1	Same as Above

These parts are Sparex parts and are not manufactured by the Original Equipment Manufacturer. Original Manufacturers names, part numbers and descriptions are quoted for reference purposes only and are not intended to indicate that our replacement parts are made by the Original Equipment Manufacturer.

# MF7

## Sparex Replacement Massey Ferguson Parts

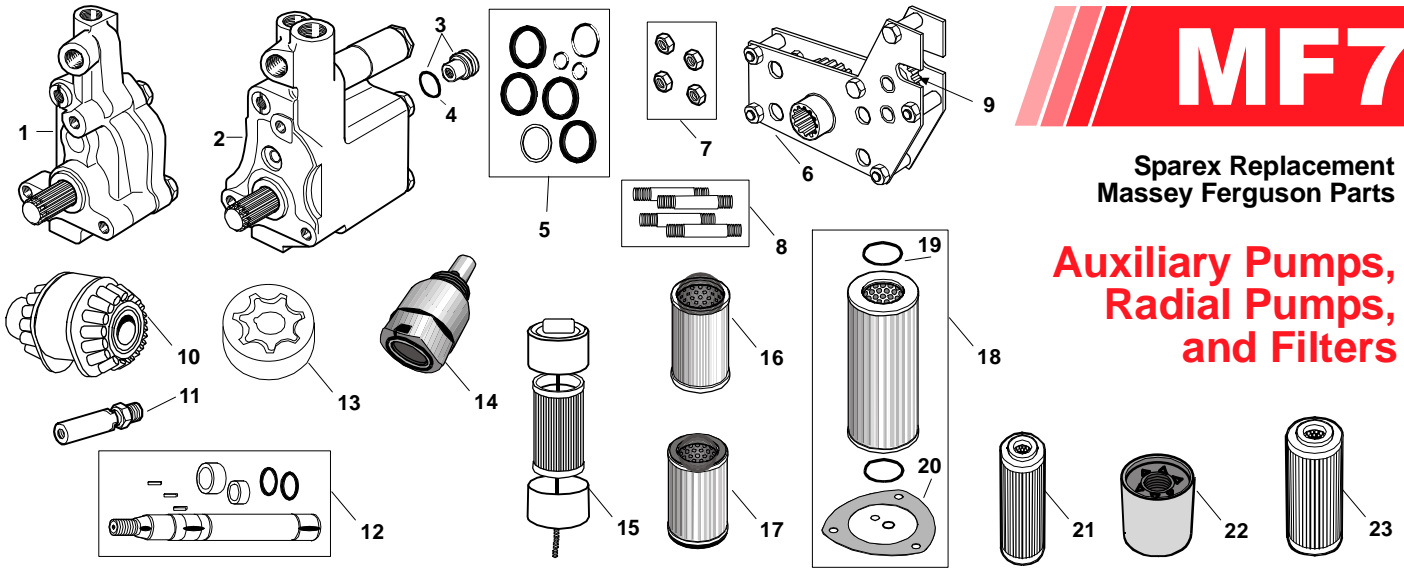
### Auxiliary Pumps, Radial Pumps, and Filters



SPAREX No.	DESCRIPTION	EQUIVALENT	TRACTOR MODEL
1	<b>S.40873</b> Hydraulic Pump less Auxiliary Hyd.	886821M94	<b>MF (135, 150, 165, 175 w/ Rear Axle SN CX5051&gt;), (135UK SN 116248&gt;), (165UK SN 562421&gt;), (175UK, 178 SN 731709&gt;), 235 Vineyard, (240 SN 522354-A20286), (245 Vineyard &gt;SN 9A349239), (245 SN 9A349239&gt;), 255, (265 &gt;SN 9A349239), Ind. 20C, 30, 30E, 31, 40B, 50C, 50D, 50E</b>
2	<b>S.40874</b> Auxiliary Pump w/ 2 Inlets (Pumps w/ 1 inlet hole order S.60256)	1686766M91 1686765M91 531607M92 526099M93 886367M96	<b>MF 135UK, 165, 165UK, 175, 175UK, 178, 180, 235, (240 SN 522354-A20286), (240 SN A20286&gt;), 245, 250, 253, 255, 265, 270, 275, 283, 285, 290, 298, 670, 690, 698, 699, 1080, 1085, Ind. 20E, 30</b>
3	<b>S.60256</b> Plug & O-Ring	1664509M1 3000417X1	Same as Above
4	<b>S.01918</b> O-Ring	3000417X1	Same as Above
5	<b>S.41514</b> O-Ring Kit - Auxiliary Pump	1633110M91	Same as Above
6	<b>S.60275</b> Auxiliary Pump Plate Kit 10 Spline - Mounts to Hyd Pump		
6	<b>S.60953</b> Auxiliary Pump Plate Kit - 21 Spline - Mounts to Hyd Pump		
7	<b>S.60962</b> Nut w/ Groove - Special Mount to Hyd Pump Plate Kit to Pump (3/8" UNF) 2 used per Kit	1871660M1	
7	<b>S.60961</b> Nut w/ out Groove - Special Mount to Hyd Pump Plate Kit to Pump (3/8" UNF) 2 used per Kit	1871659M1	
8	<b>S.61529</b> Stud Kit - Special Mount to Hyd Pump Plate Kit to Pump - 4 per Kit		
9	<b>S.61045</b> Idler Gear - 22 Teeth	515962M1	Fits: Pump Plate Kits S.60275, S.60953
10	<b>S.61009</b> Radial Piston Pump Camshaft Assembly	509295M93	<b>MF 1100, 1130, 1105, 1135, 1150, 1155</b>
11	<b>S.17516</b> Relief Valve	509761M42	<b>MF 1100, 1105, 1130, 1135, 1150, 1155</b>
12	<b>S.61088</b> Charge Pump Repair Kit 520257M92 Pump, ER12606-2 Eaton		<b>MF 1100, 1105, 1130, 1135, 1150, 1155</b>
13	<b>S.60851</b> Charge Pump Gear Set (5/8" Std OD) - 520257M92 Pump		<b>MF 1100, 1105, 1130, 1135, 1150, 1155</b>
13	<b>S.60852</b> Charge Pump Gear Set (5/8" w/ Special .005" oversize OD)		<b>MF 1100, 1105, 1130, 1135, 1150, 1155</b>
13	<b>S.60849</b> Charge Pump Gear Set (1" Std OD)		<b>MF 1100, 1105, 1130, 1135, 1150, 1155</b>

These parts are Sparex parts and are not manufactured by the Original Equipment Manufacturer. Original Manufacturers names, part numbers and descriptions are quoted for reference purposes only and are not intended to indicate that our replacement parts are made by the Original Equipment Manufacturer.

## Auxiliary Pumps, Radial Pumps, and Filters

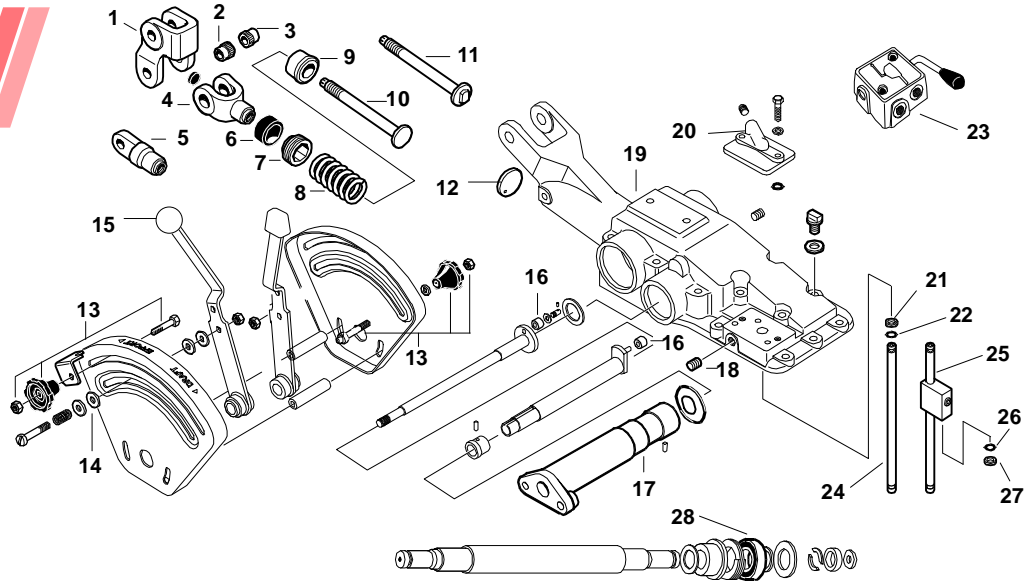


SPAREX No.	DESCRIPTION	EQUIVALENT	TRACTOR MODEL
13	<b>S.60850</b> Charge Pump Gear Set (1" w/ Special .005" oversize OD)		<b>MF 1100, 1105, 1130, 1135, 1150, 1155</b>
14	<b>S.42240</b> Relief Valve	3401834M91	<b>MF 283 Brazil, 360, 362, 375, 390, 390T, 393, 396, 398, 399</b>
15	<b>S.42878</b> Hydraulic Pump Filter Assembly Includes 4" Filter & Metal Can	185839M91 521451M1	<b>MF 35, 50, 65, 135, 150, 165, 175, 180, 245, 1080, Ind. 20, 30, 31, 35 Turf &amp; Utility, 40, 2135, 3165</b>
16	<b>S.41450</b> Filter Element - Hydraulic Pump (2 9/16"OD, 1 7/8" ID, 4" Ht) Includes Seals - Check Dimensions	185551M93 521451M1	<b>MF 35, 35UK, 50, 65, 85, 88, Super 90, 135, (135UK SN 116248&gt;), 150, 165, (165UK SN 562921&gt;), 175, (175UK SN 731709&gt;), 178, 180, (245 &gt;SN 9A349239), 1080, Ind. 20, 30, 31, 35 Turf &amp; Utility, 40, 202, 204, 2135, 3165</b>
17	<b>S.40859</b> Filter Element - Hydraulic Pump (2 7/16"OD, 1 5/8-7/16" ID, 3 3/4" Ht) Includes Seals - Check Dimensions	1687042M91 1870199M92	<b>MF 135, 135UK, 150, 165, 165UK, 175, 230, 231, 235, 240, 245, 250, 253, 255, 261, 265, 275, 282, 283UK, 283 Brazil, 285, 360, 362, 375, 383, 390, 390T, 393, 396, 398, 399, 670, 690, 698, 699, 1085, Ind. 20, 20C, 20D, 20E, 20F, 30, 30B, 30D, 30E, 31, 40, 40B, 40E, 50C, 50D, 50E</b>
18	<b>S.40883</b> Filter Element w/ Gasket & O-Rings (2 5/8"OD, 1 11/16-3/8" ID, 6 5/16" Ht)	1810694M92 1674984M92	<b>MF (240 SN 522354-A20286), (240 SN A20286&gt;), 250, 253, (265 SN 9A349239), 270, 275, 283, 290, 298, 670, 690, 698, 699, Ind. 20E, 30E, 50E</b>
19	<b>S.41460</b> O-Ring	1007240M91	Same as Above
20	<b>S.41315</b> Gasket	1660551M1	Same as Above
21	<b>S.76677</b> Hydraulic Filter	3619594M1	<b>MF (3060, 3065, 3075, 3120T SN D004048&gt;), 6150</b>
22	<b>S.76705</b> Hydraulic Filter - Spin-on	3619712M1	<b>MF 8120, 8140, 8150, 8160, 3670, 3690</b>
23	<b>S.76707</b> Hydraulic Filter - Element	3618662M1	<b>MF 8120, 8140, 8150, 8160, 3670, 3690</b>

# MF7

Sparex Replacement  
Massey Ferguson Parts

## Hydraulic Lift Cover and Related Components

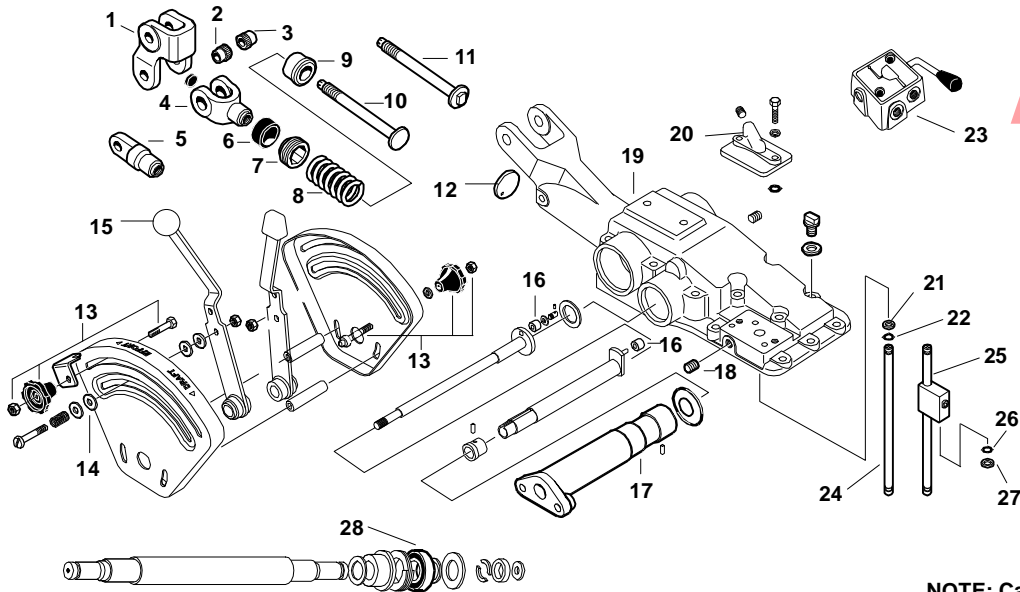


NOTE: Casting number stamped on Lift Cover

SPAREX No.	DESCRIPTION	EQUIVALENT	TRACTOR MODEL
1	S.41364 Rocker	180973M2	MF 35, 35UK, 50, 65, 135, 135UK, 150, 165, (165UK >SN 594969 w/ Normal Duty Lift Arm), (230 >SN 9A349239 w/ 884612M92 Lift Cover Casting), 235, (240 SN A20286>), (245 >SN 9A349239), Ind. 20, (20C w/ 884612M92 Lift Cover Casting), 30, 35 Turf & Utility, 40, 2135, 3165, 202, 204
2	S.41481 Bushing w/ Slotted End - RH	181982M1	MF 35, 35UK, 50, 65, 135, 135UK, 150, 165, (165UK >SN 594969), 175, 175UK, 178, 180, 230, 235, 240, 245, Ind. 20, 20C, 20D, 30, 31, 35 Turf & Utility, 40, 2135, 3165, 202, 204
3	S.41480 Bushing w/ Solid End - LH	180974M1	Same as Above
4	S.41365 Clevis - Draft Control	180972M2	MF 35, 35UK, 50, 65, 135, (135UK >SN 98068), 150, 165, 165UK, 175, 175UK, 178, 180, 230, 235, 240, 245, Ind. 20, 20C, 20D, 30, 31, 35 Turf & Utility, 40, 2135, 3165, 202, 204
5	S.41366 Head - Control Spring	1863389M1	MF 135, (135UK SN 98068>), 165, 165UK, 175, 180, 230, 231, 235, 240 Heavy Duty, 245, 250, 253, 255, 261, 265, 270, 275, 282, 283, 283UK, 283 Brazil, 290, 298, 360, 362, 375, 383, 390, 390T, 393, 396, 398, 399, 670, 690, 698, 699, Ind. 20, 20C, 20E, 20F, 30, 30B, 30D, 30E, 31, 40, 40B, 40E, 50C, 50D, 50E
6	S.41368 Boot - Draft Control	887654M1 180980M1	MF 35UK, 135, 135UK, 150, 165, 165UK, 175, 175UK, 178, 180, 230, 231, 235, 240, 245, 250, 253, 255, 261, 265, 270, 275, 282, 283, 283UK, 283 Brazil, 285, 290, 298, 360, 362, 375, 383, 390, 390T, 393, 396, 398, 399, 670, 690, 698, 699, 1080, 1085, Ind. 20, 20C, 20D, 20E, 20F, 30, 30B, 30D, 30E, 31, 40, 40B, 40E, 50C, 50D, 50E, 2135, 3165, 202, 204
7	S.41369 Nut - Draft Control	180979M2	Same as Above
8	S.41428 Spring - Draft Control	182582M1	MF 35UK, 35UK, 50, 65, 135, 135UK, 150, 165, 165UK, 175, 175UK, 178, 180, 230, 231, 235, 240, 245, 250, 253, 255, 261, 265, 270, 275, 282, 283 Brazil, 360, 362, 375, Ind. 20, 20C, 20D, 20E, 20F, 30, 30B, 30D, 30E, 31, 35 Turf & Utility, 40, 40B, 40E, 50C, 50D, 50E, 2135, 202, 204
9	S.42010 Seat - Control Spring (1.780" ID)	886351M1	MF (135* w/ Rear Axle SN CW999>), (135UK*, SN 98068>), 150*, 165*, 165UK*, (175UK, 178 SN 724330>), (180* w/ Rear Axle SN CW999>), 230, 231, 235, 240, 245, 250, 253, 255, 261, 265, 270, 275, 282, 283, 283UK, 283 Brazil, 285, 290, 298, 360, 362, 375, 383, 390, 390T, 393, 396, 398, 399, 670, 690, 698, 699, 1080, 1085, Ind. 20, 20C, 20D, 20E, 20F, 30, 30B, 30D, 30E, 31, 40, 40B, 40E, 50C, 50D, 50E, 2135, 3165 (*Check ID)

These parts are Sparex parts and are not manufactured by the Original Equipment Manufacturer. Original Manufacturers names, part numbers and descriptions are quoted for reference purposes only and are not intended to indicate that our replacement parts are made by the Original Equipment Manufacturer.

## Hydraulic Lift Covers and Related Components



NOTE: Casting number stamped on Lift Cover

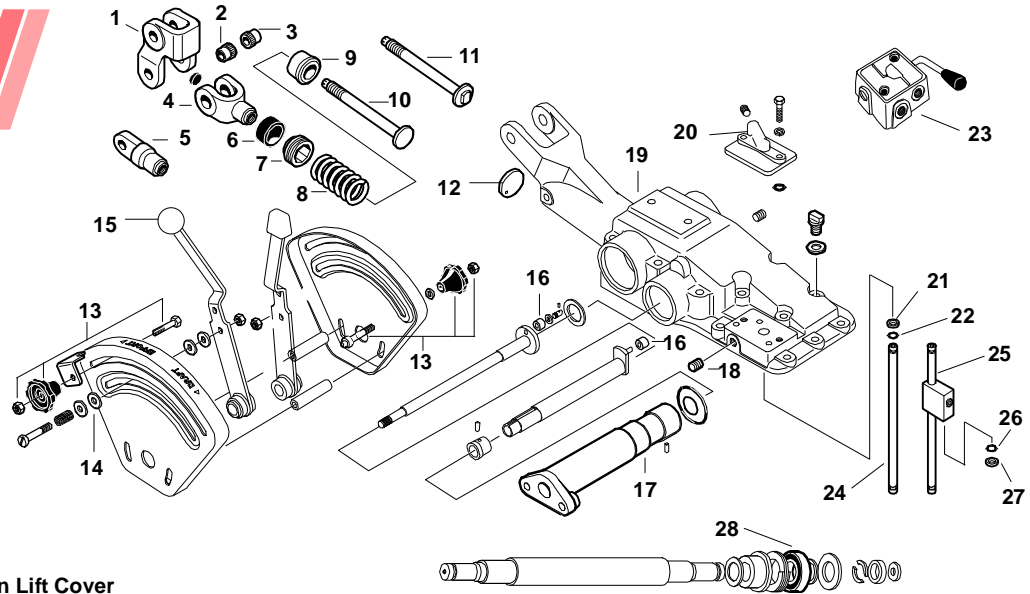
SPAREX No.	DESCRIPTION	EQUIVALENT	TRACTOR MODEL
9	<b>S.41367</b> Seat - Control Spring (1.880" ID)	182581M1	<b>MF 35, 35UK, 50, 65, (135 &gt;Rear Axle SN CW999), (135UK &gt;SN 98068), 150*, 165*, 165UK*, (175 w/ Rear Axle SN CW999&gt;), (175UK, 178 &gt;SN 724330), (180 &gt;Rear Axle SN CW999), Ind. 35 Turf &amp; Utility, (2135 &gt;SN CW999), 3165*, 202, 204 (*Check ID)</b>
10	<b>S.03350</b> Plunger - Control Spring (1.865" OD)	182580M1	<b>MF 35, 35UK, 50, 65, Ind. 35 Turf &amp; Utility, 202, 204</b>
11	<b>S.03351</b> Plunger - Draft Control (1.765" OD)	898136M1 886348M2	<b>MF (135* w/ Rear Axle SN CW999&gt;), (135UK*, SN 98068&gt;), 150*, 165*, 165UK*, (175UK, 178 SN 724330&gt;), (180* w/ Rear Axle SN CW999&gt;), 230, 231, 235, 240, 245, 250, 253, 255, 261, 265, 270, 275, 282, 283, 283UK, 283 Brazil, 285, 290, 298, 360, 362, 375, 383, 390, 390T, 393, 396, 398, 399, 670, 690, 698, 699, 1080, 1085, Ind. 20, 20C, 20D, 20E, 20F, 30, 30B, 30D, 30E, 31, 40, 40B, 40E, 50C, 50D, 50E, 2135, 3165 (*Check ID)</b>
12	<b>S.42302</b> Disc - Overload Stop	180981M1	<b>MF 35, 35UK, 50, 65, 135, 135UK, 150, 165, 165UK, 175, 175UK, 178, 180, 230, 231, 235, 240, 245, 250, 253, 255, 261, 265, 270, 275, 282, 283, 283UK, 283 Brazil, 285, 290, 298, 360, 362, 375, 383, 390, 390T, 393, 396, 398, 399, 670, 690, 698, 699, 1080, 1085, Ind. 20, 20C, 20D, 20E, 20F, 30, 30B, 30D, 30E, 31, 35 Turf &amp; Utility, 40, 40B, 40E, 50C, 50D, 50E, 2135, 3165, 202, 204</b>
13	<b>S.41565</b> Knob & Stud Kit	1860403M1 898201M1	<b>MF 135, 135UK, 150, 165, 165UK, 175, 175UK, 178, 180, 230, 231, 235, 240, 245, 250, 253, 255, 261, 265, 270, 275, 282, 283, 283UK, 283 Brazil, 285, 290, 298, 698, 699, Ind. 20, 20C, 20D, 20E, 20F, 30, 30B, 30D, 30E, 31, 40, 40B, 40E, 50C, 50D, 50E, 2135, 3165</b>
14	<b>S.42222</b> Nylon Washer (1/4"ID x 7/8"OD x 1/16" Thick)	181041M1	<b>MF 35, 35UK, 50, 65, 135, 135UK, 150, 165, 165UK, 175, 175UK, 178, 180, 230, 231, 235, 240, 245, 250, 253, 255, 261, 265, 270, 275, 282, 283, 285, 290, 298, 360, 362, 375, 383, 390, 390T, 393, 396, 398, 399, 670, 690, 698, 699, Ind. 20, 20C, 20D, 20E, 20F, 30, 30B, 30D, 30E, 31, 35 Turf &amp; Utility, 40, 40B, 40E, 50C, 50D, 50E, 2135, 3165, 202, 204</b>
15	<b>S.42695</b> Lever - Draft Control	899274M92	<b>MF 135, 135UK, 150, 165, 165UK, 175, 175UK, 178, Ind. 20, 20C, 30, 31, 40, 2135, 3165</b>
16	<b>S.41418</b> Roller - Draft Control Pressure Control Position Control (1/4"ID x 5/8" OD x 3/8" Thick)	898196M2	<b>MF 135, 135UK, 150, 165, 165UK, 175, 175UK, 178, 180, 230, 231, 235, 240, 245, 250, 253, 255, 261, 265, 270, 275, 282, 283, 283UK, 283 Brazil, 285, 290, 298, 360, 362, 375, 383, 390, 390T, 393, 396, 398, 399, 670, 690, 698, 699, 1080, 1085, Ind. 20, 20C, 20D, 20E, 20F, 30, 30B, 30D, 30E, 31, 35 Turf &amp; Utility, 40, 40B, 40E, 50C, 50D, 50E, 2135, 3165, 202, 204</b>

These parts are Sparex parts and are not manufactured by the Original Equipment Manufacturer. Original Manufacturers names, part numbers and descriptions are quoted for reference purposes only and are not intended to indicate that our replacement parts are made by the Original Equipment Manufacturer.

# MF7

Sparex Replacement  
Massey Ferguson Parts

## Hydraulic Lift Covers and Related Components



NOTE: Casting number stamped on Lift Cover

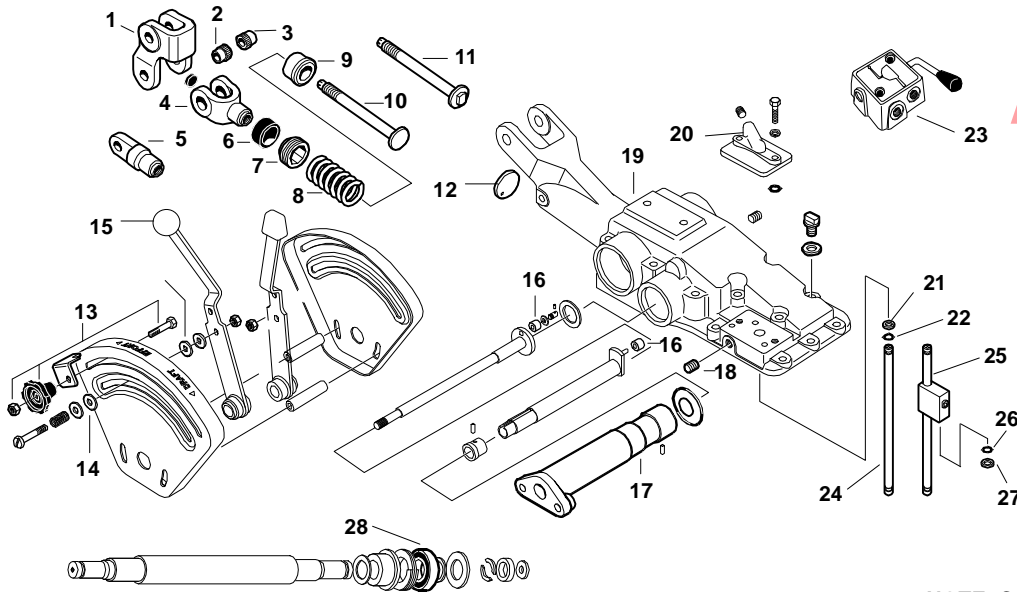
SPAREX No.	DESCRIPTION	EQUIVALENT	TRACTOR MODEL
17	<b>S.42013</b> Support - Quadrant	1884283M1 898197M1	<b>MF 135, (135UK SN 439191), 150, 165, (165UK SN 132849), 175, 175UK, 178, (230 w/ Lift Cover 884612M92), (235 w/ Lift Cover 1861320M1), (255 w/ Lift Cover 1861320M1), (285 &gt;SN 9A349239), Ind. (20 w/ Lift Cover 1861320M1), (20C w/ Lift Cover 884612M92), (30 except w/ Lift Cover 1870955M1), 31, (40 except w/ Lift Cover 1870955M1), 2135, 3165</b>
17	<b>S.42014</b> Support - Quadrant Note: Numbers listed are stamped or cast into Lift Covers	1870240M1	<b>MF (135UK SN 439191&gt;), (165UK SN 132849&gt;), (230 w/ Lift Cover 1870952M91), 231, (235 w/ Lift Cover 1870955M1, 1870951M1), 240, (245 w/ Lift Cover 1870951M1), 250, 253, 255, 265, 270, 275, 282, 283, 283UK, 283 Brazil, 290, 298, 360, 362, 375, 383, 390, 390T, 393, 396, 398, 399, 670, 390, 698, 699, Ind. (20 w/ Lift Cover 1870955M1), (20C w/ Lift Cover 1870950M91, 1870950M91), 20D, 20E, 20F, (30 w/ Lift Cover 1870955M1), 30B, 30D, 30E, (40 w/ Lift Cover 1870955M1), 40B, 40E, 50C, 50D, 50E</b>
18	<b>S.40872</b> Plug - Allen Head (3/8 NPT)	825031M2	
19	<b>S.42293</b> Lift Cover	1693547M91 3761903M91	<b>MF 231, (240 &gt;SN U42001), 240P, 250*, 261, 270*, 283, 290*, 298*, 670*, 690, 698, 699*, Ind. 20D, 20E, 20F, 30E, 40E, 50E (* Late Production)</b>
20	<b>S.42292</b> Cap - Lift Cover	180908M1 182373M91	<b>MF 35, 35UK, 50, 65, 135, 135UK, 150, 165, 165UK, 175, 175UK, 178, 180, 230, 231, 235, 240, 245, 250, 253, 255, 261, 265, 270, 275, 282, 283, 285, 290, 298, 360, 362, 375, 383, 390, 390T, 393, 396, 398, 399, 670, 690, 698, 699, Ind. 20, 20C, 20D, 20E, 20F, 30, 30B, 30D, 30E, 31, 35 Turf &amp; Utility, 40, 40B, 40E, 50C, 50D, 50E, 2135, 3165, 202, 204</b>
21	<b>S.40877</b> Back-up Ring	195874M1	Same as Above
22	<b>S.40876</b> O-Ring - Standpipe (3/8" ID x 1/16")	195561M1	Same as Above
23	<b>S.60032</b> Diverter Valve (3/8" NPT)	180908M1	In place of existing cover plate 180908M1. Hydraulic supply continues available for lift arms, or two additional ports are available along with a return tank. Only one supply can be selected at a time with hydraulics isolated in other positions.
24	<b>S.40878</b> Stand Pipe (1/2" x 12 15/32") O-Rings & Back-up Rings Included	898229M1	<b>MF (135 Check Length), (135UK &gt;SN 79480), (150, 165 less Pressure Control), (165UK &gt;SN 520707), 175 (175UK, 178 &gt;SN 709935), (180 &gt;Rear Axle SN CV6889 less Pressure Control), (230 w/ MKII Pump), (235 w/ Lift Cover Casting #1861320M1 w/out Pressure Control), (240 SN A20286&gt;), 245, 253, 255, 283UK, 285, (360, 362, 375, 382, 390, 390T w/ Low Flow Pump &gt;SN B18009), 1080, 1085, Ind. (20 w/ Lift Cover Casting 1861320M1), 20C, 30, (31 less Pressure Control), 40, 2135, 3165</b>

These parts are Sparex parts and are not manufactured by the Original Equipment Manufacturer. Original Manufacturers names, part numbers and descriptions are quoted for reference purposes only and are not intended to indicate that our replacement parts are made by the Original Equipment Manufacturer.



Sparex Replacement  
Massey Ferguson Parts

## Hydraulic Lift Covers and Related Components



NOTE: Casting number stamped on Lift Cover

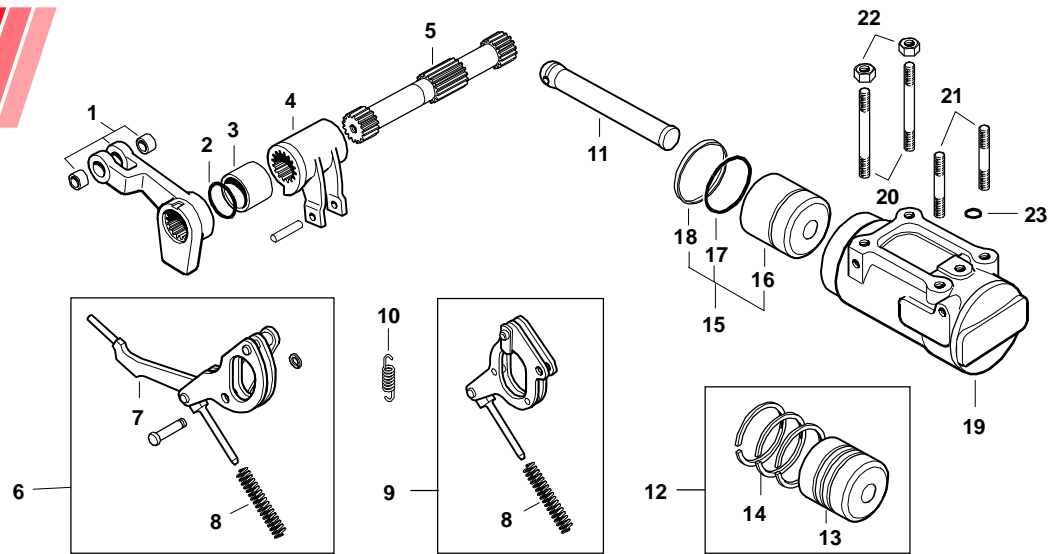
SPAREX No.	DESCRIPTION	EQUIVALENT	TRACTOR MODEL
24	<b>S.40879</b> Stand Pipe (1/2" x 9 13/16") O-Rings & Back-up Rings Included	1869119M1	<b>MF 165UK, (230 w/ MKII Pump), 231, (235 w/ Lift Cover Casting #1870955M1, 1870951M1), 240, (240 SN 522354~A20286), 245, 253, (255 w/ Lift Cover #1870955M1), 261, 265, 270, 275, 282, 283, 283 Brazil, 290, 298, (360, 362, 375, 383, 390, 390T, 393, 396, 398, 399 w/ High Flow Pump), Ind. (20 w/ Lift Cover Casting 1870955M1), 20C, 20D, 20E, 20F, (30 w/ Lift Cover Casting 1870955M1), 30B, 30D, 30E, (40 w/ Lift Cover Casting 1870955M1), 40B, 40E, 50C, 50D, 50E</b>
25	<b>S.40880</b> Stand Pipe & Block Assembly O-Rings & Back-up Rings Included	883788M91	<b>MF 135, (135UK SN 79480&gt;), (150, 165 w/ Pressure Control), (165UK SN 520707&gt;), 175, (175UK, 178 SN 709936&gt;), (180, 235 w/ Pressure Control), 245, Ind. 30, (31 w/ Pressure Control)</b>
26	<b>S.01903</b> O-Ring - Stand Pipe Block	359291X1	Same as Above
27	<b>S.41314</b> Back-up Ring - Stand Pipe Block	361160X1	Same as Above
28	<b>S.42160</b> Seal - Sensing Shaft	1610407M3	<b>MF (2640 &gt;SN K215203), (2675, 2705, 2745, 2775, 2805 Rowcrop)</b>

These parts are Sparex parts and are not manufactured by the Original Equipment Manufacturer. Original Manufacturers names, part numbers and descriptions are quoted for reference purposes only and are not intended to indicate that our replacement parts are made by the Original Equipment Manufacturer.

# MF7

Sparex Replacement  
Massey Ferguson Parts

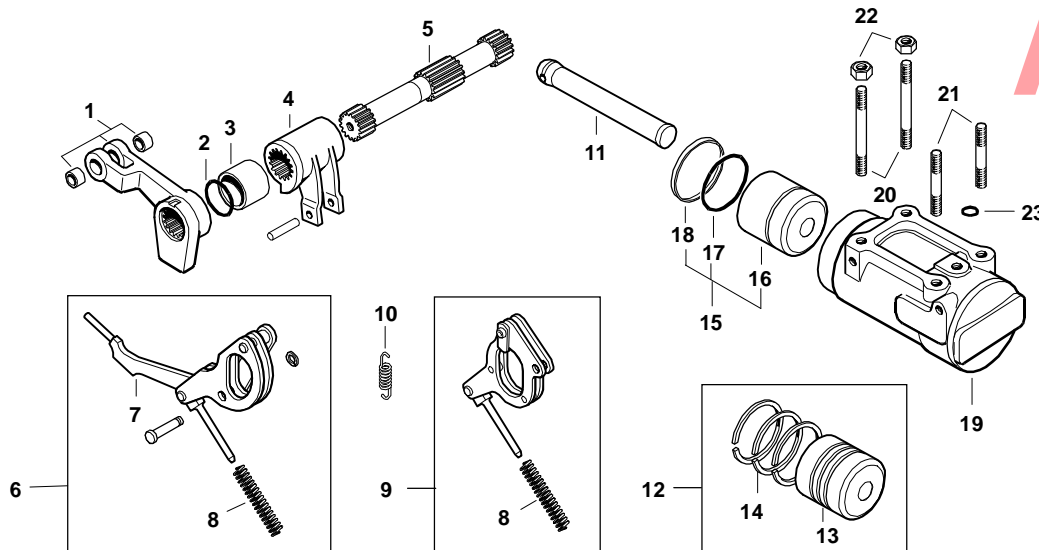
## Hydraulic Lift Cylinder and Related Components



SPAREX No.	DESCRIPTION	EQUIVALENT	TRACTOR MODEL
1	<b>S.42171</b> Lift Arm w/ out Bushings 37 Spline - 5/8" Pin Hole	180910M1	<b>MF 35, 35UK, 135, Ind. 35 Turf &amp; Utility, 2135, 202, 204</b>
1	<b>S.41354</b> Lift Arm w/ Bushings 51 Spline - 5/8" Pin Hole	885444M91 897575M1	<b>MF 135, 135UK, 165UK, (175 &gt;SN 9A49669), 230, 231, 235, 240, 245, 250, Ind. 20, 20C, 20D, 20E, 20F, 30 Turf, 30E, 40E</b>
1	<b>S.41355</b> Lift Arm w/ Bushings 7/8" Pin Hole	1680040M91	<b>MF 165UKHeavy Duty, (175, 180 SN 9A49669&gt;), 253, 255, 261, 265, 270, 275, 282, 283, 290, 298, 360, 362, 375, 383, 390, 390T, 393, 396, 398, 399, 670, 690, 698, 699, 1080, 1085, Ind. 30, 30E, 31, 40E, 50C, 50E</b>
2	<b>S.01955</b> O-Ring - Lift Shaft (2"ID x 3/16")	359136X1 195565M1	<b>MF 35, 35UK, 50, 65, 135, 150, 165, Ind 35 Turf &amp; Utility, 2135, 202, 204 (Check Dimensions)</b>
2	<b>S.01948</b> O-Ring - Lift Shaft (2 1/8"ID x 1/8")	359136X1	<b>MF 135, 135UK, 150, 165UK, 175, 175UK, 178, 180, 230, 231, 235, 240, 245, 250, (253 &gt; SN P51119), 255, 261, 265, 270, 275, 282, 283, 285, 290, 298, (360, 375, 383, 390, 390T, 398, 399 &gt;Eng SN P51120), 670, 690, 698, 699, Ind. 20, 20C, 20D, 20E, 20F, 30, 30B, 30D, 30E, 31, 40, 40B, 40E, 50C, 50D, 50E, 2135, 3165 (Check Dimensions)</b>
3	<b>S.41425</b> Bushing - Lift Shaft (2" x 2 3/8" x 1 13/32")	181018M1	<b>MF 35, 35UK, 50, 65, 135, 150, 165, Ind. 35 Turf &amp; Utility, 2135, 202, 204 (Check Dimensions)</b>
3	<b>S.41376</b> Bushing - Lift Shaft (2 3/16" x 2 3/8" x 2 55/64")	1870934M1	<b>MF 165UK, 230, 231, 235, 240, (240 SN 522354~A20286), 245, 250, (253 &gt;Eng SN P51119), 255, 261, 265, 270, 275, 282, 283, 283 Brazil, (285 w/ Rear Axle SN FH101, FH 593&gt;), 290, 298, (360, 375, 383, 390, 390T, 398, 399 &gt;Eng SN P51120), 670, 690, 698, 699, Ind. (20 w/ Lift Cover Casting 1870955M1), 20C, 20D, 20E, 20F, 30, 30B, 30D, 30E, 40, 40B, 40E, 50C, 50D, 50E</b>
4	<b>S.41446</b> Lift Arm - 42 Spline (2 1/4" Dia)	180970M2	<b>MF 35, 35UK, 50, 65, 135, 150, 165, Ind. 35 Turf &amp; Utility, 2135, 202, 204 (Check Spline Count &amp; Diameter)</b>
4	<b>S.41470</b> Lift Arm - 51 Spline (2 3/8" Dia)	897568M1	<b>MF 135, 135UK, 150, 165, 165UK, 230, 231, (235 except Orchard), 240, (240 SN 522354~A20286&gt; Eng SN U42001), (245 except Orchard), 250, 265, Ind. 20, 20C, 20D, 20F, 30E, (40 w/ 3 1/8" Dia Piston), 2135, 3165 (Check spline count, diameter and old casting for number)</b>
4	<b>S.41447</b> Lift Arm - 51 Spline (2 3/8" Dia - 7/8" Pin Hole)	886404M2	<b>MF 135, 165, 175, (175UK, 178 SN 731776&gt;), (180 w/ Rear Axle SN CW12678&gt;), 230, 235, (245 Orchard w/ Rear Axle SN FF101&gt;), 255, 261, 265, 270, 275, 282, 283, 285, 290, 298, 670, 690, 698, 699, 1080, 1085, Ind. (20 w/ Lift Cover Casting #1870955M1), 20C, 30, 30B, 30D, 31, (40 w/ Lift Cover Casting #1970955M1), 40B, 40E, 50C, 50D, 50E (Check spline count, diameter and old casting for number)</b>
5	<b>S.41356</b> Shaft - 37 Spline (2 1/4" Dia)	184359M2	<b>MF 35, (35UK &gt;SN 65684), 50, 65, 135, 150, 165, Ind. 35 Turf &amp; Utility, 2135, 202, 204 (Check Spline Count)</b>
5	<b>S.41357</b> Shaft - 51 Spline (1 hole in end)	897567M3	<b>MF 135, 135UK, 150, 165, 165UK, 175, 175UK, 178, 180, 230, 231, 235, 240, 245, 250, 253, 255, 261, 265, 270, 275, 282, 283, 283UK, 283 Brazil, 285, 290, 298, 360, 362, 365, 375, 383, 390, 390T, 393, 396, 398, 399, 670, 690, 698, 699, Ind. 20, 20C, 20D, 20E, 20F, 30, 30B, 30D, 30E, 40, 40B, 40E, 50C, 50D, 50 (Check Spline Count)</b>

These parts are Sparex parts and are not manufactured by the Original Equipment Manufacturer. Original Manufacturers names, part numbers and descriptions are quoted for reference purposes only and are not intended to indicate that our replacement parts are made by the Original Equipment Manufacturer.

## Hydraulic Lift Cylinder and Related Components

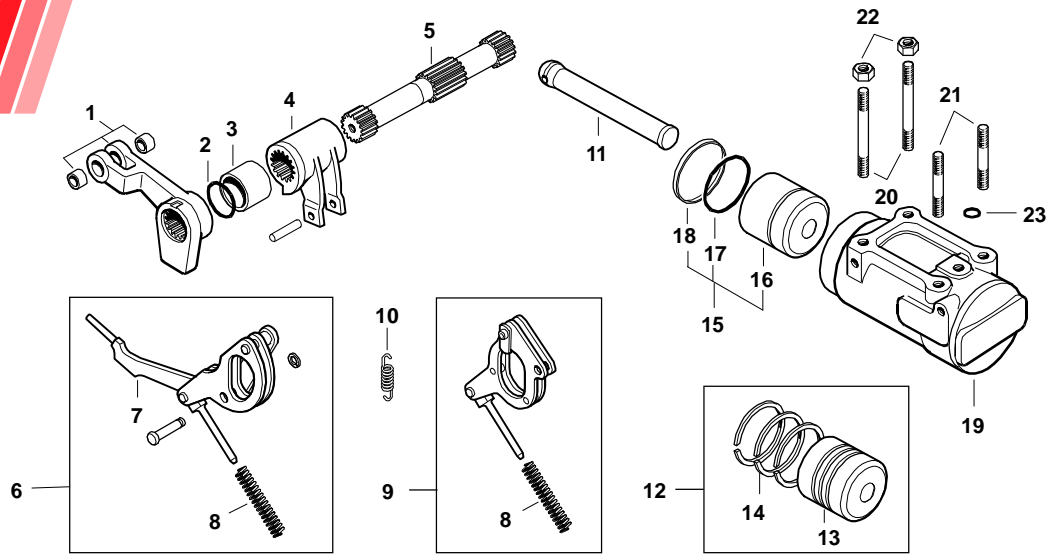


SPAREX No.	DESCRIPTION	EQUIVALENT	TRACTOR MODEL
6	<b>S.41448</b> Link Assembly - Draft Control	1660324M91 886048M92	MF 135, 135UK, 150, 165, 165UK, 175, 175UK, 178, 180, 230, 231, 235, 240, 245, 250, 253, 255, 261, 265, 270, 275, 282, 283, 283UK, 283 Brazil, 290, 360, 362, 375, 383, 390, 390T, 393, 396, 670, 690, Ind. 20, 20C, 20D, 20E, 20F, 30, 30B, 30D, 30E, 31, 40, 40B, 40E, 50C, 50D, 50E, 2135, 3165
7	<b>S.41560</b> Rod - Draft Control	898124M1	Same As Above
8	<b>S.42144</b> Spring	898127M2	MF 135, 135UK, 150, 165, 175, 175UK, 178, 180, 285, 1080, 1085, Ind. 30, 40, 2135, 3165
9	<b>S.41605</b> Link Assembly - Position Control	1661918M91 898129M91	MF 135, 135UK, 150, 165, 165UK, 175, 175UK, 178, 180, 230, 231, 235, 240, 245, 250, 253, 255, 261, 265, 270, 275, 282, 283, 283UK, 283 Brazil, 290, 360, 362, 375, 383, 390, 390T, 393, 396, 670, 690, Ind. 20, 20C, 20D, 20E, 20F, 30, 30B, 30D, 30E, 31, 40, 40B, 40E, 50C, 50D, 50E, 2135, 3165
10	<b>S.41561</b> Spring - Draft Control	898137M1	MF 135, 135UK, 150, 165, 165UK, 175, 175UK, 178, 180, 230, 231, 235, 240, 245, 250, 253, 255, 261, 265, 270, 275, 282, 283, 283UK, 283 Brazil, 285, 290, 298, 360, 362, 375, 383, 390, 390T, 393, 396, 398, 399, 670, 690, 698, 699, 1080, 1085, Ind. 20, 20C, 20D, 20E, 20F, 30, 30B, 30D, 30E, 31, 40, 40B, 40E, 50C, 50D, 50E, 2135, 3165
11	<b>S.41445</b> Rod - Connecting	886410M1	Same as Above
12	<b>S.60948</b> Piston Assembly Complete (Contains 3 rings) (3 11/16")	516612M91	MF 285, 1080, 1085
13	<b>S.61001</b> Piston - 3 Ring (not included) (3")	184443M91	MF 35, 35UK, 50, 65, 135, 150, 165, Ind. 35 Turf & Utility, 2135 202, 204
13	<b>S.42173</b> Piston - 3 Ring (not included) (3 3/8")	899596M91	MF 135, 135UK, 165, 175, 175UK, 178UK, 180, 230, 235, 245, 255, 261, 265, 275, Ind. 20, 20C, 30, 30B, 31, 40, 40B, 50C, 50D
14	<b>S.41848</b> Ring - (Contains 1 ring) (3")	184447M1	MF 35, 35UK, 50, 65, 135, 150, 165, Ind. 35 Turf & Utility, 2135 202, 204
14	<b>S.41471</b> Ring - (Contains 1 ring) (3 1/8")	897564M1	MF 135, 135UK, 150, 165, 165UK, 230, 231, 235, 245, (265 >SN 9A349239), 282, Ind. 20, 20C, 30, 40, 2135, 3165
14	<b>S.41472</b> Ring (Contains 1 ring) (3 3/8")	897597M91	MF 135, 135UK, 165, 175, 175UK, 178UK, 180, 230, 235, 245, 255, 261, 265, 275, Ind. 20, 20C, 30, 30B, 31, 40, 40B, 50C, 50D
15	<b>S.41358</b> Piston Assembly (3 1/8") Complete w/ O-Ring style Seals installed	1665737M91	MF 230, 231, 240, (245 except Orchard), 250, 265, 282, Ind. 20C, 20D, 20E, 20F, 30E, 40E (Can also replace early 3 ring style piston)
15	<b>S.41359</b> Piston Assembly (3 3/8") Complete w/ O-Ring style Seals installed	1665738M91	MF 135, 165, 175, 180, 230, 235, 245 Orchard, 255, 261, 265, 270, 275, 283, 290, 298, 670, 690, 698, 699, Ind. 20, 20C, 30, 30B, 30D, 40, 40B, 50, 50C, 50D, 50E, (Can also replace early 3 ring style piston)
15	<b>S.42221</b> Piston Assembly Complete w/ O-Ring style Seals	1693921M93	MF 253, 383, 360, 362, 375, 383, 390, 390T, 393, 396, 398, 399, Ind. 30E, 40E, 50E

# MF7

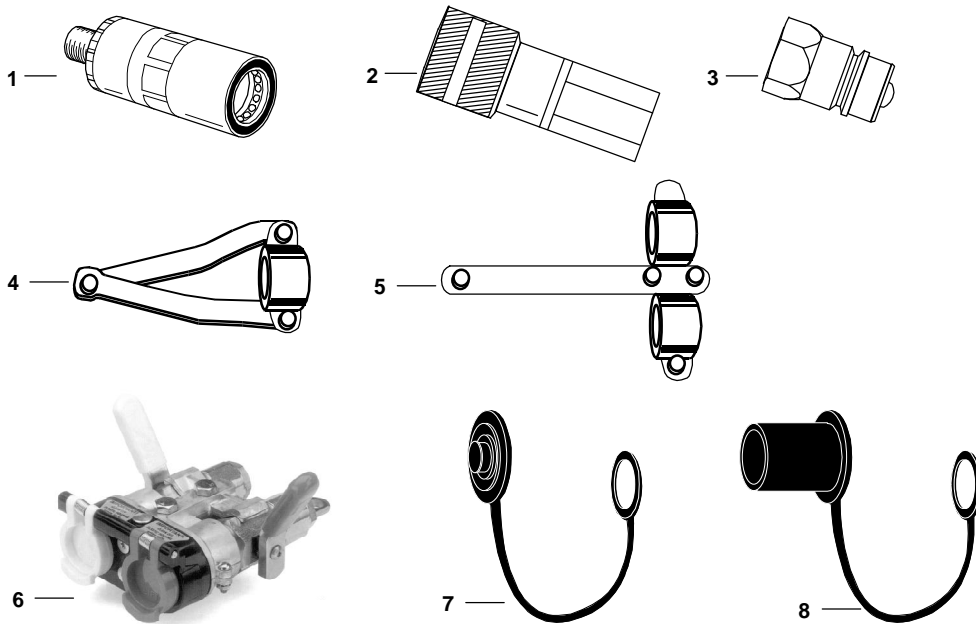
Sparex Replacement  
Massey Ferguson Parts

## Hydraulic Lift Cylinder and Related Components



SPAREX No.	DESCRIPTION	EQUIVALENT	TRACTOR MODEL
16	<b>S.41360</b> Piston - less Seals (3 1/8")	1665737M91	<b>MF 230, 231, 240, (245 except Orchard), 250, 265, 282, Ind. 20C, 20D, 20E, 20F, 30E, 40E</b> (Can also replace early 3 ring style piston)
16	<b>S.41361</b> Piston - less Seals (3 3/8")	1665738M91	<b>MF 135, 165, 175, 180, 230, 235, 245 Orchard, 255, 261, 265, 270, 275, 283, 290, 298, 670, 690, 698, 699, Ind. 20, 20C, 30, 30B, 30D, 40, 40B, 50, 50C, 50D, 50E,</b> (Can also replace early 3 ring style piston)
17	<b>S.41414</b> O-Ring (3 1/8")	2528202K1	Fits: S.41358
17	<b>S.41415</b> O-Ring (3 3/8")	2528204K1	Fits: S.41359
17	<b>S.06798</b> O-Ring	3761473M1	<b>MF 253, 362, 383, 390T, 393, 396, 398, (399 w/ 1006.6 Eng)</b>
18	<b>S.41409</b> Seal (3 1/8")	2528203K1	Fits: S.41358
18	<b>S.41410</b> Seal (3 3/8")	2528201K1	Fits: S.41359
18	<b>S.42223</b> Seal	3761476M1	<b>MF 253, 362, 383, 390T, 393, 396, 398, (399 w/ 1006.6 Eng)</b>
19	<b>S.61000</b> Cylinder (3") 9/16" fine thd holes Original had 1/2" holes. Lift Cover holes must be enlarged	190859M1	<b>MF (35 SN 232850&gt;), (35UK SN 285030&gt;), (50 SN 533026&gt;), (65 SN 691138&gt;), 135, 150, 165, Ind. 35 Turf &amp; Utility, 2135</b>
19	<b>S.60022</b> Cylinder (3 1/8")	897560M3	<b>MF 135, 135UK, 150, 165, 165UK, 230, 231, 240, (240 SN 522354-A20286&gt;Eng SN U42001), (245 except Orchard), 250, 265, 282, Ind. 20C, 20D, 20E, 20F, 30E, 40E</b>
19	<b>S.41363</b> Cylinder (3 3/8")	1671082M1	<b>MF 245 Orchard, 261, 265, 270, 275, 283, 290, 298, 670, 690, 698, 699, Ind. 20C, 30B, 30D, 40B, 40E, 50C, 50D, 50E</b>
19	<b>S.60949</b> Cylinder (3 11/16")	516571M1	<b>MF 285, 1080, 1085</b>
19	<b>S.42220</b> Cylinder (3 21/32")	3599859M1	<b>MF 253, 283UK, 360, 362, 375, 383, 390, 390T, 393, 396, 399</b>
20	<b>S.41620</b> Stud (9/16" x 4" UNF)	899258M1	
21	<b>S.41621</b> Stud (9/16" x 3" UNF)	899257M1	
22	<b>S.01031</b> Nut (9/16" UNF)	368749X1	
23	<b>S.01917</b> O-Ring - Cylinder to Lift Cover	195562M1 359293X1	

These parts are Sparex parts and are not manufactured by the Original Equipment Manufacturer. Original Manufacturers names, part numbers and descriptions are quoted for reference purposes only and are not intended to indicate that our replacement parts are made by the Original Equipment Manufacturer.



Sparex Replacement  
Massey Ferguson Parts

## Hydraulic Quick Couplers and Related Components

SPAREX No.	DESCRIPTION	EQUIVALENT	TRACTOR MODEL
1	<b>S.03049</b> Hydraulic Coupler - Female (1/2" NW13 - M22 x 1.5 UNF Male) Push/Pull (Breakaway)	3384874M4 1696241M92 3384873M4	<b>MF 360, 362, 375, 383, 390, 390T, 393, 396, 398, 399, 3090, 3120, 3630, 3650, 3660, 3680</b>
2	<b>4050-2</b> Hydraulic Coupler - Female (1/4 NPT)		Couples w/ zero pressure on both sides
2	<b>4050-4</b> Hydraulic Coupler - Female (1/2 NPT)		Couples w/ zero pressure on both sides
2	<b>8250-4</b> Hydraulic Coupler - Female (1/2 NPT) Must be clamped		Couples w/ pressure on both or either sides
3	<b>4010-2</b> Hydraulic Coupler - Male (1/4 NPT)		
3	<b>8010-4</b> Hydraulic Coupler - Male (1/2 NPT)		
4	<b>5001-4</b> Single Coupler Clamp		
5	<b>5006-4</b> Dual Coupler Clamp		
6	<b>9500-4</b> Dual Breakway Kit (1/2 NPT)		Couples/Uncouples w/ pressure on both or either ends
7	<b>5205-2M</b> Rubber Dust Plug - Black		Fits 1/4" Female Coupler
7	<b>5205-4M</b> Rubber Dust Plug - Black		Fits: 1/2" Female Coupler
7	<b>5205-4M-BU</b> Rubber Dust Plug - Blue		
7	<b>5205-4M-GR</b> Rubber Dust Plug - Green		
7	<b>5205-4M-OR</b> Rubber Dust Plug - Orange		
7	<b>5205-4M-PR</b> Rubber Dust Plug - Purple		
7	<b>5205-4M-YE</b> Rubber Dust Plug - Yellow		
8	<b>5209-2M</b> Rubber Dust Cap - Black		Fits 1/4" Male Tip
8	<b>5209-4M</b> Rubber Dust Cap - Black		Fits: 1/2 Male Tip
8	<b>5209-4M-BU</b> Rubber Dust Cap - Blue		Fits: 1/2 Male Tip
8	<b>5209-4M-GR</b> Rubber Dust Cap - Green		Fits: 1/2 Male Tip
8	<b>5209-4M-OR</b> Rubber Dust Cap - Orange		Fits: 1/2 Male Tip
8	<b>5209-4M-PR</b> Rubber Dust Cap - Purple		Fits: 1/2 Male Tip
8	<b>5209-4M-YE</b> Rubber Dust Cap - Yellow		Fits: 1/2 Male Tip

These parts are Sparex parts and are not manufactured by the Original Equipment Manufacturer. Original Manufacturers names, part numbers and descriptions are quoted for reference purposes only and are not intended to indicate that our replacement parts are made by the Original Equipment Manufacturer.