

Page No.

MF1

Sparex Replacement
Massey Ferguson Parts

**Cooling System
and Related
Components**

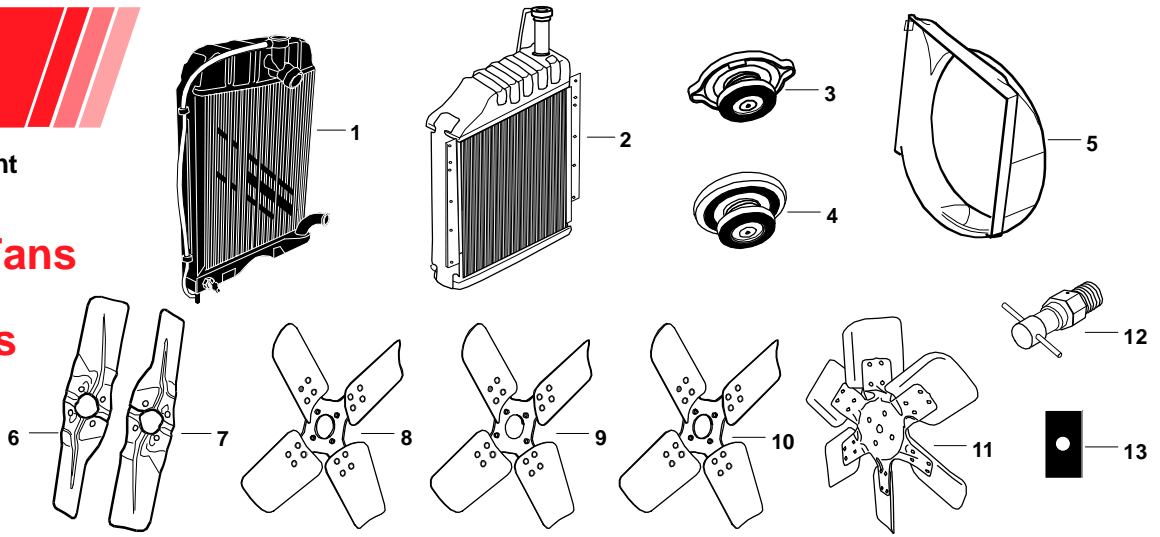
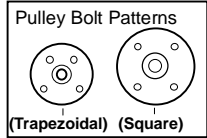
- 1** — Radiators, Fans
- 2** — Water Pumps
- 3** — Water Pump Repair Kits
- 4** — Top Hoses
- 5** — Bottom Hoses
- 6** — By-Pass Hoses
- 7** — Inlet Hoses
- 8** — Thermostats, Gaskets, Engine Heaters
- 9** — Belts

These parts are Sparex parts and are not manufactured by the Original Equipment Manufacturer. Original Manufacturers names, part numbers and descriptions are quoted for reference purposes only and are not intended to indicate that our replacement parts are made by the Original Equipment Manufacturer.

MF1

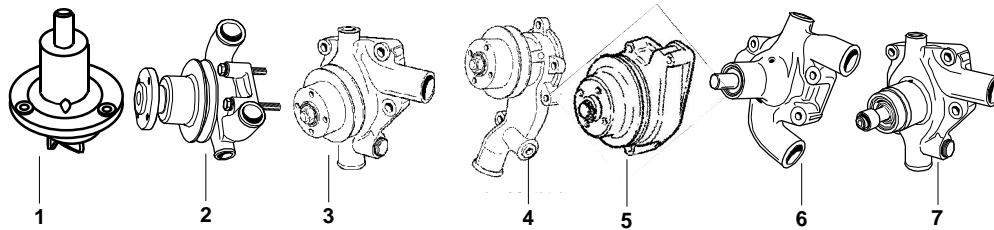
Sparex Replacement Spare Parts

Radiators, Fans and Related Components



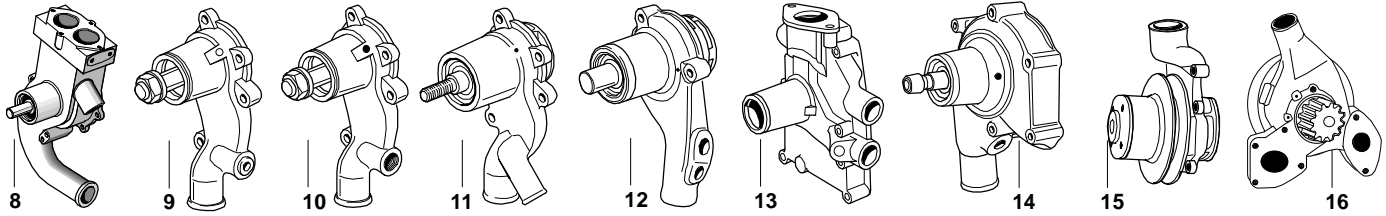
SPAREX No.	DESCRIPTION	EQUIVALENT	TRACTOR MODEL
1	S.61815 Radiator	186732M91 894319M2	MF 35 Diesel, MF35 UK, w/ A3.152 Diesel, MF203, 205
1	S.40095 Radiator	194275M93	MF 135 (w/ AG3.152 Gas, AD3.152 Diesel), MF 135 w/ Continental Engine, Ind. MF20 Diesel, 2135 Diesel
1	S.40097 Radiator	1680547M91	MF 240, 250, Ind. 20D, 20E, 30E, 30H, 40E (2 WD only)
1	S.42475 Radiator w/ Cap	885579M3	MF 178 UK (SN 724936>)
1	S.42196 Radiator w/ Cap	669650M94	MF 270, 283, 283 UK, 290, 670, Ind. 50E
1	S.42655 Radiator w/ Cap	1695721M2	MF 375, 383, 390, 390T, 393, 398, 399 w/ A6-354.4 Engine
2	S.42776 Radiator	529684M91	MF 1105, 1135
3	S.41517 Cap	180224M91 184528M91	MF 35, 50 Gas (>SN 523360), MF50 Diesel, 65 Diesel, 85 Diesel, 88, 90, Super 90, 135, 150, 165 w/ Continental, 165 Perkins Gas (>SN 9A67215), 165 Diesel, 175 w/ Continental, 175 Perkins Gas (>SN 9A67215), 175 Diesel, 180, 670, 690, 698, 2640, Ind. 20, 30, 31, 35 Utility, 40, 202, 203, 204, 205, 2135, 2200, 2500 Forklift, 3165, 4500, Forklift, 6500 Forklift
3	S.41518 Cap	531505M91	MF 230, 235, 245, 255, 265, 275, 285, 1080, 1085, 1100, 1105, 1130, 1135, 1150, 1155, 2675, 2705, 2745, 2775, 2805, 20C Turf
3	S.08454 Cap (10# Pressure)	3637301M1 885344M1	MF 135 Vineyard (SN 9A1175990>), 135 UK (SN 147024>), 178 UK
3	S.08453 Cap (7# Pressure)	826772M93	MF 135 UK (>SN 147024), 165 UK, 175 UK
4	S.40012 Cap	1874445M93	MF 231, 240, 250, 261, 270, 283, 283 UK, 290, 298, Ind. 20D, 20E, 20F, 30E, 50E
5	S.42579 Shroud (Metal)	1885721M94	MF 231, 240, 250, Ind. 20D, 30E
6	S.40005 Fan Blade - Front (15 3/8") (Square Bolt Pattern)	1884777M1	MF 135 UK (SN 152UA5275>), 240, 250, 360, Ind. 20D, 20E, 20F, 30E, 30H, 40E (2 WD)
7	S.40006 Fan Blade - Rear (15 3/8") (Square Bolt Pattern)	1884738M1	MF 135 UK (SN 152UA5275>), 240, 250, 360, Ind. 20D, 20E, 20F, 30E, 30H, 40E (2 WD)
8	S.41876 Fan (1 3/4" Square Bolt Pattern), 1 5/8" Pilot 5/16" Bolt Holes, (15 3/8")	194046M91	MF 135, 150, 230 (SN 9A349239>), 235, 245 (> SN 9A349239 Std & Vineyard only), 245 (SN 9A349239>) Ind. 20, 20C, 30B, 30D, 40, 2135, 2200 Forklift
9	S.60462 Fan (15 3/8") (Trapezoidal Bolt Pattern)	186819M91	MF 35, 50, Ind. 35 & 200 Series
10	S.61030 Fan (1 1/4" Square Bolt Pattern), 1 1/16" Pilot 5/16" Bolt Holes (15")	544348M91	MF 230, 235, 245, Ind. 20C, 30B
11	S.60268 Fan (16") 1 5/8" Pilot, (1 3/4" Square Bolt Pattern)	1874995M92	MF 174-4S (2-wd >SN WD-132000455, 4-wd >SN WD-232000986), 270, 274-4, 283, 283UK, 290, 294-4, 298, 670, 690, 698, Ind. 50E (Perkins 4.236, 4.248 (5 1/2" OD))
12	S.08440 Drain Tap	1851095M2	All Perkins Engines
13	S.42731 Radiator Mounting Pads	180705M1	MF 135, 230, 231, 235, 240, 245, 250, 253, Ind. 20, 20C, 20D, 20E, 20F, 30E, 40E

These parts are Sparex parts and are not manufactured by the Original Equipment Manufacturer. Original Manufacturers names, part numbers and descriptions are quoted for reference purposes only and are not intended to indicate that our replacement parts are made by the Original Equipment Manufacturer.



Sparex Replacement
Spare Parts

Water Pumps



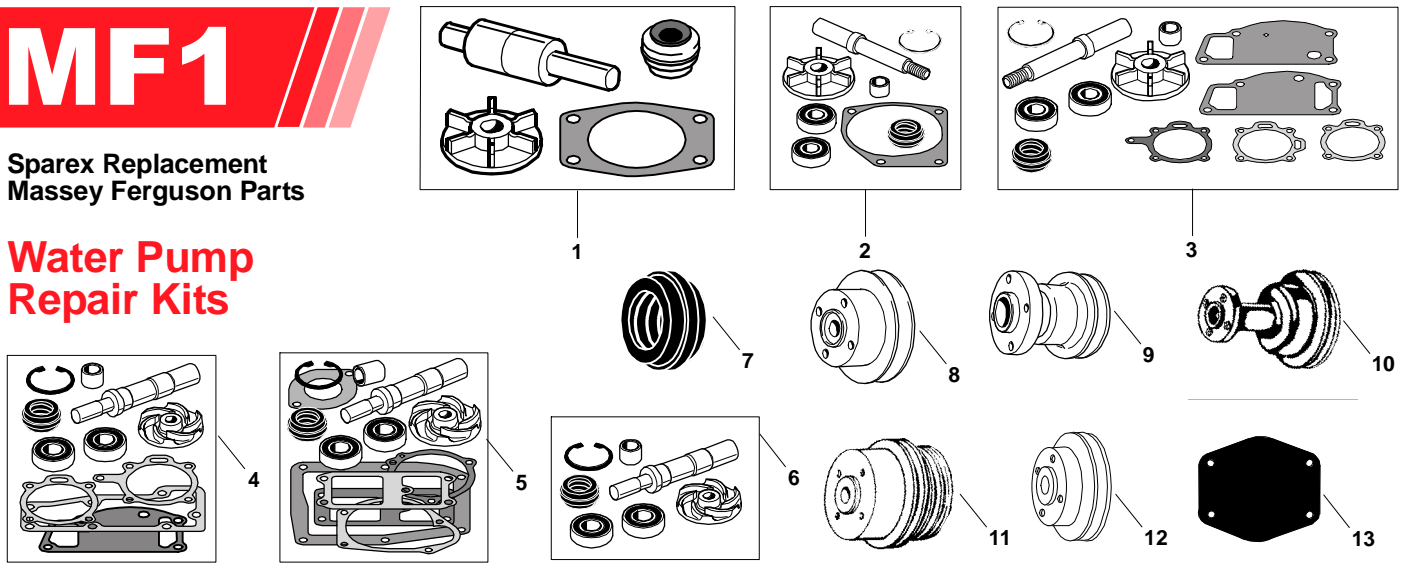
SPAREX No.	DESCRIPTION	EQUIVALENT	TRACTOR MODEL
1	S.60099 Water Pump w/ Gasket	830691M91	MF 35 Gas, 40 Gas, 50 Gas, 135 Gas, 150 Gas, 35 Turf & Utility Gas, Ind. 202 Gas, 204 Gas, 2135 Gas, 2200 & 2500 Forklift (Continental Z134, 145 Engine)
2	S.60146 Water Pump w/ Pulley & Gasket (Trapezoidal Bolt Pattern)	747542M91 731280M1	MF 35, 50, 135UK (>SN152UA5275D) Ind. 203, 205, (Perkins Diesel 3.152 Engine)
2	S.60149 Water Pump w/ Pulley & Gasket (Square Bolt Pattern)	747542M91 735034M1	MF 135, 150, 230, 235,231, 240, 245, 253, 360, Ind. 203, 205, 20C, 20F, 30B, 2500 Forklift, 154-4, 254-4 (Perkins 3.152 Engine)
3	S.60147 Water Pump w/ Pulley & Gasket	740611M91	MF 65 Diesel, 165 Diesel, 255 w/ A4-203 Diesel, Ind. 30 Diesel, 40B, 50A, 304, 3165 Diesel (A4 or AD4.203 Diesel Engine)
4	S.60148 Water Pump w/ Pulley & Gasket		MF 165 UK, 175, 185, 255, 265, 270, 275, 290, 670 (Perkins A4.212, A4.236, A4.248)
5	S.42429 Water Pump w/ Gasket	748095M91	MF 130 (A4.99, A4.107 Perkins Engines)
6	S.40035 Water Pump less Pulley w/ Gasket	747542M91	MF 135 (SN UA33994>), 150 (SN UA33994>), 230 (SN>9A349239), 235, 240, 245 (SN 9A349239>), MF20 Turf (SN152UA18330A> Gas), 20 Turf & Ind. (SN 152UA284396D Diesel), Ind. 20C, 30D, 2500 Forklift (Perkins 3.152 Engine)
7	S.40036 Water Pump w/ Gasket	747597M91	MF 65 Diesel, 255 w/ A4.203 Diesel, Ind. 30, 40B, 50, 50A, (U5MW0061) 65 Utility Diesel, 304, 3165 Diesel (A4.203 Engine)
8	S.60334 Water Pump w/ Gasket, w/ Duel Belt & Double Thermostats	3641365M91	MF 1100, 1105, 1130 (>SN 354UA3355T), 1135 Doesn't fit .4 Engines (6.354)
8	S.42126 Water Pump w/ Gasket	744228M91 3641880M91	MF 399 (w/ A6.354.4), 699, 2640 (w/ A6.354), 2675, 3090, 3505, 3545, 3630, 3650
9	S.40037 Water Pump w/ Gasket less Pulley	743064M91	MF 165 (Diesel SN 236UA46714>), 180 (Diesel SN 236UA29814>), 184-4, 255, (w/ A4.236 Diesel), 261, 265, 270, 274-4, 275, 282, 290, 294-4, 374, 384S, 394S, 31, Ind. 50C, 50D, 50F, 50H, 50HX, 60H, 60TLB, 6500 Forklift Diesel (A4.236, A4.248 Engines)
10	S.40038 Water Pump w/ Gasket, less Pulley w/ Extra Heater Outlet		As Above
11	S.41593 Water Pump, less Pulley w/ Gasket	3637468M91 4222002M91	MF 375, 383 (w/ Build List #LF31141), 390, 390T, 398, 3050, 3060, 3065, 3070, Ind. 50H, 50HX, 60H NOTE: No By-pass Port (Perkins A4.236, AT4.236, A4.248, AT4.248 Eng)
12	S.40040 Water Pump w/ Gasket	747650M91 3641363M91 U5MW0009	MF 285 (SN ND31080U519257G>), 298, 540 (Combine A4.318)
13	S.40039 Water Pump w/ Gasket 15/16" Dia Shaft	741106M91 U5MW0014 747446M91 3641887M91	MF 1085, 698 (4.318 Engine)
14	S.40041 Water Pump w/ Gasket	3641861M91	MF 510 Combine Diesel (6.354 Engine)
15	S.42510 Water Pump w/ Pulley & Gasket	3637411M91 1077550M1	MF 261, 374S, 384S, 394S, Ind. 50H, HX, 60H (4.236 Engine)
16	S.42316 Water Pump w/ Gasket	3641860M91 3638694M91	MF 396, 399, (w/ 1006.6 Engine), 3120, 3120T, 3140, 3660, 8120 (1006.6 Engine)

These parts are Sparex parts and are not manufactured by the Original Equipment Manufacturer. Original Manufacturers names, part numbers and descriptions are quoted for reference purposes only and are not intended to indicate that our replacement parts are made by the Original Equipment Manufacturer.

MF1

Sparex Replacement
Massey Ferguson Parts

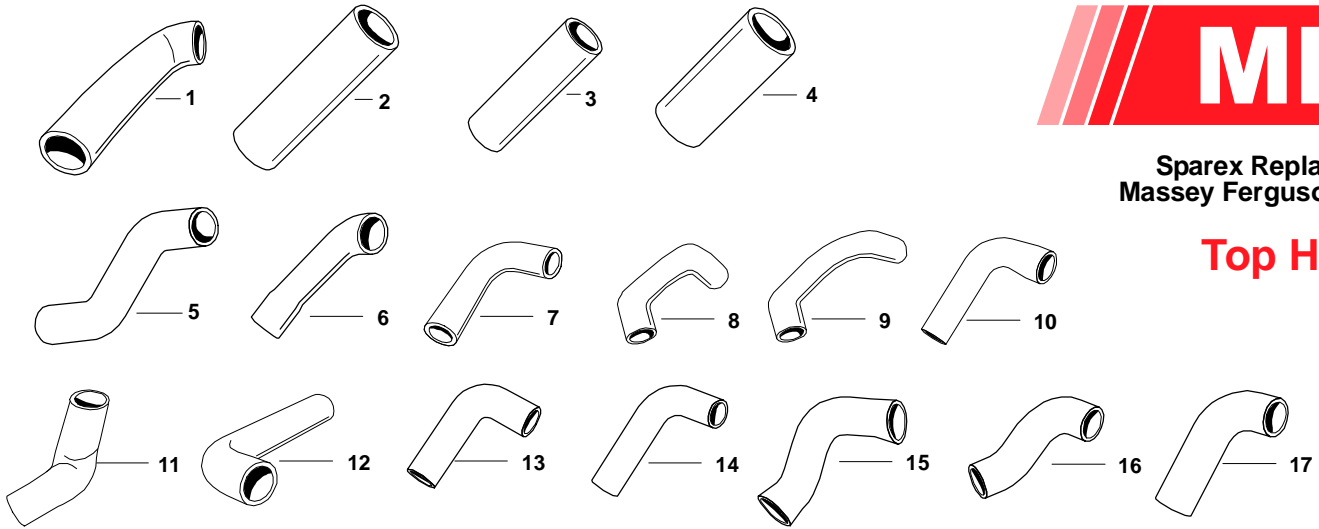
Water Pump Repair Kits



SPAREX No.	DESCRIPTION	EQUIVALENT	TRACTOR MODEL
1	S.40045 Water Pump Repair Kit	3641392M91 3637445M91 740607M91 U7LW0044	MF 135 Perkins Gas/Diesel, 150 Perkins Gas/Diesel, 154-4, 230, 231, 235, 245, 254-4, 253, 360, Ind. 20, 20C, 20F, 30B, 30D, 2500 Forklift
2	S.41385 Water Pump Repair Kit	732591M91	MF 65 (w/ Indirect Injection SN 2806843>), 65 Direct Injection, 165 Diesel, 255 w/ A4.203, Ind. 30, 50, 50A, 3165 Turf & Utility
3	S.40047 Water Pump Repair Kit	747444M91 3637482M91 U7LW0029 U7LW0058 741964M91	MF 165 w/ Perkins Gas, 175 Diesel (SN 236UA46687>), 180 Gas (SN 236UA1732A>), 184-4, 282, 194-4F, 261, 265 (>SN 9A349239), 274-4, 275 (>SN 9A3499239), 374S, 384S, 394S, Ind. 30, 50C, 50D, 60, 50H, HX, 60H
4	S.41592 Water Pump Repair Kit	3637483M91	MF 375, 383 (w/ Engine Build List #LF31141), 390, 390T, 393, 398, 3050, 3060, 3065, 3070, Ind. 50H, HX, 60H
5	S.41611 Water Pump Repair Kit	3637446M91 739254M91	MF 285, 1080, 1085, 298, 698
5	S.40048 Water Pump Repair Kit	734989M91 747764M91 3641378M91	MF 510 Combine
6	S.42442 Water Pump Repair Kit	747771M91 3641379M91 U7LW0015	MF 399 (w/ A6.354.4), 2640
7	S.40075 Water Pump Seal	1446130M1	MF 230, 240 (SN 522354--A20286), 245, 254-4, 255, 265, 274-4, 275, 282, 285, 294-4 (>SN 223000321), 1080, 1085, 1100, 1130, 1105, 1135, 1150, 1155, Combines-MF540, 750, 760, 850, 860, Ind. 20C, 30, 30B, 30D, 31, 40, 40B, 50E, 4500 Forklift, 6500 Forklift
8	S.40003 Water Pump Pulley Square Bolt Pattern	731805M1	MF 65 (w/ Indirect Injection SN 2806843>), 65 Direct Injection, 165 Diesel, 255 w/ A4.203 Diesel, Ind. 30 Diesel, 40B, 50 Diesel, 50A, 3165 Diesel
9	S.40004 Water Pump Pulley Trapezoid Bolt Pattern	731280M1	MF 35 w/ Perkins Diesel, MH50 w/ Perkins Diesel, MF50 w/ Perkins Diesel, 135UK w/ Perkins Diesel (>SN 152UA5275D), 35 Turf & Utility w/ Perkins Diesel, Ind. 203, 205
10	S.60047 Water Pump Pulley	1750081M1	MF 35, 135, 235, 35 Turf & Utility, Ind. 2135, 202, 204, 4500 Forklift w/ Continental Gas Engine
11	S.60453 Water Pump Pulley Triple Groove	741103M1	MF 1080, 1085
12	S.60241 Water Pump Pulley	31147031 746571M1	MF 270, 290, 670, 690, 283, Ind. 50E, 50 Perkins 4.236, 4.248 (5 1/2" OD) *Can also be used to replace 737257M1. 5" pulley used on MF175, 180, 255, 265, 275. A longer belt must be used with these applications.
13	S.41349 Water Pump Back Plate	3637335M1 731275M1	Perkins 3 cyl Gas/ Diesel

These parts are Sparex parts and are not manufactured by the Original Equipment Manufacturer. Original Manufacturers names, part numbers and descriptions are quoted for reference purposes only and are not intended to indicate that our replacement parts are made by the Original Equipment Manufacturer.

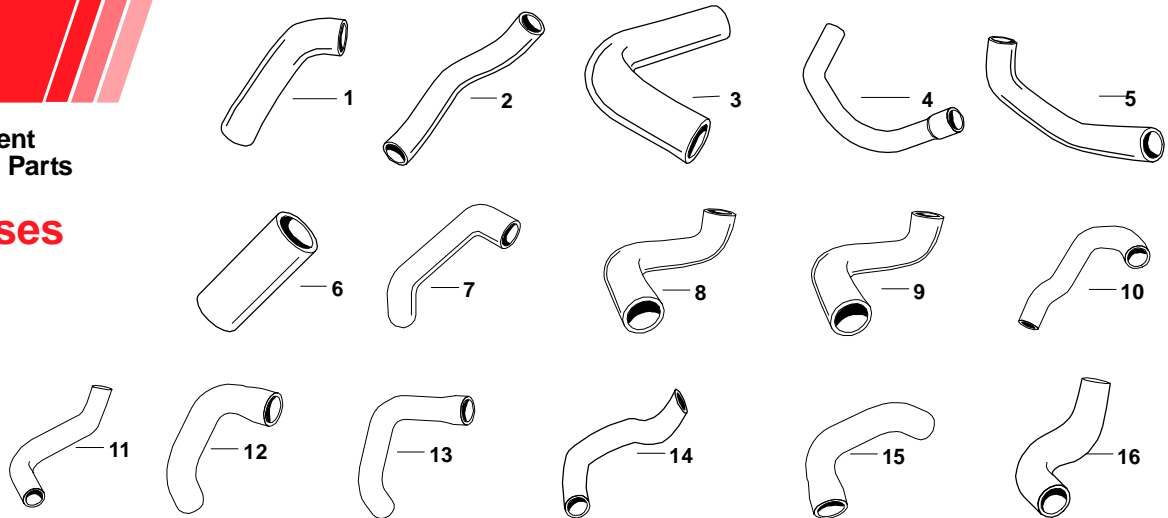
Top Hoses



SPAREX No.	DESCRIPTION	EQUIVALENT	TRACTOR MODEL
1	S.40016 Top Hose (1 1/2" - 6")	890195M1	MF 35UK, 35X (w/ A3.152 Diesel)
2	S.40017 Top Hose (1 1/2" - 5")	186826M1 897455M1	MF 135UK, 35 Gas, 35 Turf & Utility Gas, 202 (SN 306493>), 204 (SN 342499>)
3	S.60517 Top Hose (1 1/2" - 5 1/2")	180085M1 182345M1	MF 35 Diesel, 50, 50 Gas, 65 Gas, 135, 230 Diesel (>SN 9A349239), 235 Diesel except Orchard, 20, 35 Utility Diesel, 50 Gas, 65 Utility Gas, 202 (>SN 306493), 204 (>SN 342499), 203, 205, 302 Gas, 304 Gas, 2135 Diesel, 2500 Perkins/Continental Gas
4	S.40022 Top Hose (1 1/2" - 5 3/4")	1869514M1	MF 231, 240, 250, 20D, 20E, 20F, 30E, 30H, 40E
5	S.41825 Top Hose (1 1/2")	1696559M1	MF 360
6	S.40018 Top Hose (1 1/2" - 1 3/4")	186654M1	MF 65 Diesel, Ind. 50 Diesel, 50A Diesel, 65 Utility Diesel, 304
7	S.40019 Top Hose (1 1/2" - 10")	194738M1	MF 165 Diesel, 255 w/ AD4.203, 30 Diesel, 3165 Diesel,
8	S.40021 Top Hose (1 1/2")	899144M1	MF 165UK (w/ A4.212), 261, 270, 290
9	S.40020 Top Hose (1 1/2")	894793M1 194739M2	MF 175UK (>SN 724936), 178UK (>SN 724936)
10	S.41826 Top Hose (1 3/4" - 1 1/2")	3611652M1	MF 362
11	S.41827 Top Hose (2")	3596204M1	MF 375, 383, 390, 390T, 393, 398
12	S.41530 Top Hose (2")	522078M1 1671076M1	MF 1080, 1085
13	S.41829 Top Hose (2")	3382976M1	MF 3050, 3060, 3065
14	S.41838 Top Hose (2")	3382977M1	MF 3070
15	S.42687 Top Hose (2")	1681509M1	MF 670, 690
16	S.41828 Top Hose (2")	1695563M1	MF 399 (w/ A6.354.4)
17	S.41830 Top Hose (2")	3387747M1	MF 3090

These parts are Sparex parts and are not manufactured by the Original Equipment Manufacturer. Original Manufacturers names, part numbers and descriptions are quoted for reference purposes only and are not intended to indicate that our replacement parts are made by the Original Equipment Manufacturer.

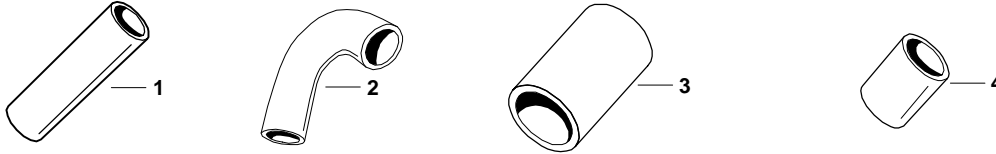
Bottom Hoses



SPAREX No.	DESCRIPTION	EQUIVALENT	TRACTOR MODEL
1	S.60529 Bottom Hose (1 1/2")	180783M1	MF 35 (w/ Continental), 135 (w/ Continental Gas), Ind. 35 Turf & Utility (w/ Continental Gas), 202, 204 (w/ Continental Gas), 2135 (w/ Continental Gas)
2	S.40026 Bottom Hose (1 1/2")	186968M1	MF 35 Diesel, 135 Diesel, 135UK (>SN 148525), 230 (>SN 9A243032), 235 Diesel except Orchard, 20 Diesel, 35 Diesel, 203, 205, 2135 Diesel Utility
3	S.40027 Bottom Hose (1 1/2")	1860374M1 1860374M2	MF 135UK w/ 3.152 Diesel, 231, 240 (SN 522354-A20286), 240 (SN A20286> Manual Steering), 250, 20D, 20E, 30E
4	S.41831 Bottom Hose (1 1/4" - 1 1/2")	1694711M1	MF360
5	S.40032 Bottom Hose (1 1/2")	1662089M1	MF 550
6	S.40028 Bottom Hose (1 1/2" - 2 1/4")	898065M1	MF 165UK (w/ AD4.203)
7	S.40030 Bottom Hose (1 5/8")	194737M1 898748M1	MF 175 Diesel, 255 w/ A4.236, 261, 265 Diesel except Orchard, 31, 50E, 50F, 50H, HX, 60H
8	S.40029 Bottom Hose (1 1/2")	898745M1	MF 175, 178UK (>SN 724936)
9	S.40031 Bottom Hose (1 5/8")	885563M1	MF 175, 178UK (SN 724936>), 270, 282, 290, 690
10	S.41839 Bottom Hose (1 1/4" - 1 5/8")	1695868M1	MF 362
11	S.41832 Bottom Hose (1 1/2" - 1 5/8")	1695562M1	MF 375, 383, 390, 390T, 393, 398
12	S.41834 Bottom Hose (1 5/8" - 2")	3382984M1	MF 3050, 3060, 3065 (>SN B246028)
13	S.41835 Bottom Hose (1 5/8" - 2")	3384380M1	MF 3070 (>7/93)
14	S.42246 Bottom Hose (1 5/8" - 2")	520309M91	MF 1080, 1085
15	S.41833 Bottom Hose (1 1/2" - 2 1/4")	1695564M1	MF 399 (w/ A6.354.4 less Cab)
16	S.41836 Bottom Hose (2" - 2 3/8")	3382985M1	MF 3090

Sparex Replacement
Massey Ferguson Parts

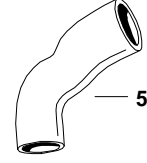
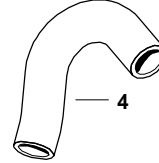
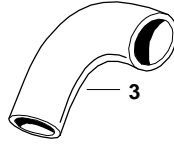
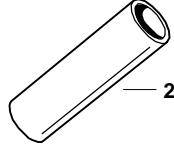
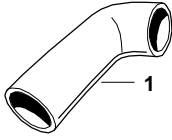
By-Pass Hoses



SPAREX No.	DESCRIPTION	EQUIVALENT	TRACTOR MODEL
1	S.40082 By-Pass Hose (1 1/8")	731256M1 U5MH0006	MF 35 Diesel, 50 Diesel, 135, 150, 154-4, 154-4S, 230, 231, 235, 240, 245, 250, 254-4, 20, 20C Diesel, 20D, 30B Diesel, 30D, 35 Utility Diesel, 20E Diesel, 30E Diesel, 30H Diesel, 40E Diesel, (w/ Build List #CN 31157, CN31158) 40, 203, 205, 2135 Diesel, 2500 Forklift, 4500 Forklift Diesel
2	S.41527 By-Pass Hose (1 1/8")	747944M91 U5MH0024	MF 3050, 3060, 3065, 3070, 50H, HX, 60H
3	S.41823 By-Pass Hose (1 1/2")	3637257M91	MF 396 (w/ 6.60 Engine), 399 (w/ 1006.6 Engine), 3120, 3120T, 3140, 3660, 8120
4	S.41822 By-Pass Hose (1 3/8")	3637574M91	MF 253, 360, 364S, 40

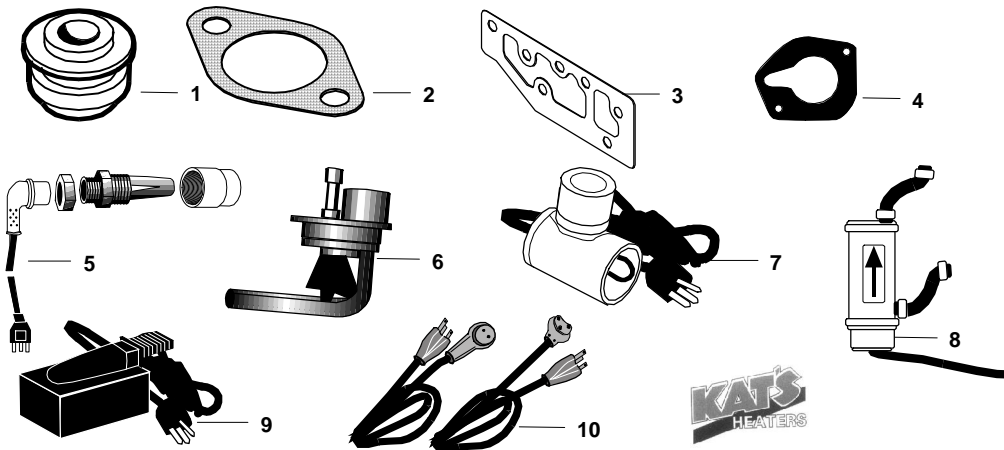
These parts are Sparex parts and are not manufactured by the Original Equipment Manufacturer. Original Manufacturers names, part numbers and descriptions are quoted for reference purposes only and are not intended to indicate that our replacement parts are made by the Original Equipment Manufacturer.

Inlet Hoses



SPAREX No.	DESCRIPTION	EQUIVALENT	TRACTOR MODEL
1	S.40083 Inlet Hose (1 3/8")	732443M1	MF 35 Diesel, 50 Diesel, 135 Perkins Engine, 150 Perkins Engine, 154-4, 154-4S, 230, 231, 235 Diesel, 240, 245 Diesel, 254-4, 20, 20C Diesel, 20D, 30B Diesel, 30D, 35 Utility Diesel, 40, 203, 2135 Diesel, 205, 2200 Forklift, 2500 Forklift, 4500 Forklift Diesel
2	S.40082 Inlet Hose (1 1/8")	747936M91 202016	MF 240, 253, 360, 20F, 30E
3	S.40084 Inlet Hose (1 3/8")	731174M1	MF 65 Diesel, 165 Diesel, 255 w/ AD4.203, 30 Diesel, 40B, 50 Diesel, 50A, 3165 Turf & Utility Diesel
4	S.41824 Inlet Hose (1 1/8")	3637573M91	MF 375, 383, 390, 390T, 393, 398
5	S.41525 Inlet Hose (1 3/4")	737163M1 747946M91	MF 1080, 1085

Thermostat, Gaskets, Engine Heaters and Related Components

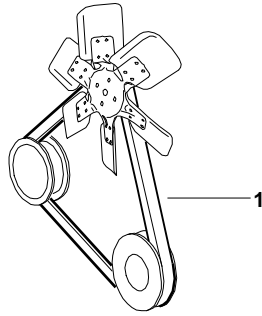


SPAREX No.	DESCRIPTION	EQUIVALENT	TRACTOR MODEL
1	S.40085 Thermostat (for Perkins Engine)	1446165M91	MF 135, 150, 154-4, 230 (SN 9A349239>), 231, 240, 245 (>SN 9A349239), 253, 254-4, 285 (SN 9A349239>), 360 (Build List #CN31187), 362, 1080, 1100, 1105, 1130, 1135, 20C, 20F, 30B, 50H, HX, 60H
1	S.40086 Thermostat	1446222M91	MF 165, 1100, 1130, 30, 50, 50A
1	S.40087 Thermostat	1447384M1	MF 360 w/ Build List #CN 31185, 364S, 375, 383, 390, 390T, 393, 396, 398, 399, 2640, 2675, 2705, 2775, 2805, 3050, 3060, 3065, 3070, 3075, 3120, 3120T, 3140, 3660, 6150, 6180, 8120, 50H, HX, 60H
2	S.41347 Gasket - Outlet (for Perkins Engine)	1650482M1	MF 25, 35, 50, 135, 150, 154-4, 230, 231, 235, 240, 245, 253, 254-4, 360, 364S, 20, 20C, 20F, 30B, 30D, 40, 203, 205, 2135, 2500 Forklift, 4500 Forklift
3	S.42211 Gasket - Thermostat Housing	3637530M1 731254M1	Perkins Engine 3.152
4	S.41351 Thermostat Gasket	735641M1 3682151	MF175, 255, 265, 270, 275, Ind. 30, 31, 50C, 50C (Perkins A4.236, A4.248)
5*	S.42752 Engine Block Heater w/ Adaptor 1' Cord (600 Watt)		Perkins Engine 3.152 w/ 1 1/4" Core Plug
6*	S.07085 Core Plug Heater (750 Watt)		MF 150, 175, 180, 235, 265, 1100, 1105, 1130, 2135, 2200 Perkins Engine 1 1/4" Cup Plug (except 3 cyl)
6*	S.02368 Core Plug Heater (600 Watt)		MF 3150, 3160, 3165 w/ 1 3/4" Cup Plug
7	S.07081 Lower Radiator Hose Heater (600 Watt)		Universal w/ 1 1/4" ID Hose
7	S.07082 Lower Radiator Hose Heater (600 Watt)		Universal w/ 1 1/2" ID Hose
7	S.07083 Lower Radiator Hose Heater (600 Watt)		Universal w/ 1 3/4" ID Hose
7	S.07084 Lower Radiator Hose Heater (600 Watt)		Universal w/ 2" ID Hose
8	S.07078 Tank Type Heater (850 Watt)		Cooling System up to 18 qt Capacity
8	S.07079 Tank Type Heater (1000 Watt)		Cooling System 16-25 qt Capacity
8	S.07080 Tank Type Heater (1500 Watt)		Cooling System 26-40 qt Capacity
9	S.07098 Magnetic Heater (8 sq in)		Universal
9	S.07099 Magnetic Heater (20 sq in)		Universal
10	S.07094 Heater Cord (1' Long)		Replacement for S.07085, S.07086, S.07087, S.07093
10	S.07095 Heater Cord (6' Long)		Replacement for S.07085, S.07086, S.07087, S.07093
10	S.07096 Heater Cord (5' Long)		Replacement for S.07089, S.07090, S.02368
10	S.07097 Heater Cord (1' Long)		Replacement for S.07089, S.07090, S.02368
<p>*CAUTION: AIR MUST BE BLED FROM SYSTEM. DO NOT RUN ENGINE WITH HEATER PLUGGED IN. DOING SO WILL BURN OUT ELEMENT AND VOID WARRANTY! USE OF GASKET CEMENT VOIDS WARRANTY.</p>			

MF1

Sparex Replacement
Massey Ferguson Parts

Belts



SPAREX No.	DESCRIPTION	EQUIVALENT	TRACTOR MODEL	
1	S.11175	Fan Belt	1851749M1	MF 35 (>SN 304621)
1	S.11168	Fan Belt	890982M1	MF 35 UK (SN 304446>), 135 UK, 165 UK
1	S.18731	Fan Belt	186976M1	MF 35 Diesel, 135 Diesel, (>SN 9A38905), 150 w/ Generator, 180 Gas (Perkins), 30 Diesel, 35 Utility Diesel, 203, 205, 2135 Diesel, 2200 Diesel, 255 Gas or AD-203 Diesel
1	S.18726	Fan Belt	184526M1	MF 65 Gas, 50 Diesel w/ Generator, 65 Utility Gas
1	S.18730	Fan Belt	186750M1	MF 65 Diesel, 165 Diesel, 175 (>SN 9A40277), 180 (>SN 9A40277), 50 Diesel, 65 Utility Diesel, 302 Diesel, 304 Diesel
1	S.18735	Fan Belt	843198M1	MF 135 Gas (Perkins) SN 9N38905>, 165 Gas (Perkins), 175 Gas (Perkins), 255 (SN 9A211258>), 20 Turf, 30 Gas, 50 Diesel w/ Alternator
1	S.18734	Fan Belt	513833M1	MF 175 Diesel w/ Alternator, 31, 6500 Forklift (Diesel)
1	S.18732	Fan Belt	512951M1	MF 180 Diesel, (SN 9A40277>)
1	S.18733	Fan Belt	190083M1	MF Super 90 Diesel w/ Generator, 175 Diesel w/ Generator
1	S.18736	Fan Belt	517344M1	MF 150 Gas, Diesel (Perkins), 255 (A4-236), 265, 275, 290, 40B, 50C, 50D, 6500 Forklift Gas (Late Production)
1	S.18725	Fan Belt	539735M1	MF 230 Gas, 235 Gas, 245 Gas, 20C Gas, 30B Gas, 4500 Forklift Gas
1	S.11171	Fan Belt	1687531M1	MF 231, 240, 250, 283UK, (2-13-92>), 20D, 20E, 20F, 30E, 30H, 50E, 50H, 50HX, 60H, 6500H, Forklift, 6800H Forklift
1	S.18642	Fan Belt	1693746M1	MF 253, 360, 364S, 374S, 384S, 394S, 20F, 30E, 30H, 40E
1	S.18742	Fan Belt	1809095M2	283, 290
1	S.18743	Fan Belt	516467M1	1080 Less AC
1	S.18740	Fan Belt	513133M1	MF 1100, 1130 Less AC w/ Single Belt (SN 9B13590>)
1	S.18739	Fan Belt	512431M1	MF 1100, 1130 w/out AC (SN 650003753>9B13590)
1	S.18659	Fan Belt (58 1/2") Set of 2	3045111M91	MF 2640 Early Production, 2675, (3525 >SN 272209), (3545 >SN T272209)
1	S.18634	Alternator Belt	3040966M1	MF (2675 >SN 9R8414), (3505 >SN K235204)
1	S.18653	Alternator - Water Pump (2)	1688216M1	MF 699
1	S.18652	Alternator - Water Pump (2)	532779M92	MF 285
1	S.18656	Alternator - Water Pump	180905M2	MF 283, 290
1	S.18654	Alternator - Water Pump (2)	3386190M91	MF 3120, 3525, 3545, 3630, 3650
1	S.18649	Alternator - Water Pump (2) (59 1/16" Long)	3381364M91	MF 2640 Late Production, 3090, (3505 >SN K235204)
1	S.18655	Alternator - Water Pump (2)	3386190M91	MF 3120, (3525, 3545 SN T272209>), 3630, 3650
1	S.18663	Alternator - Water Pump (2)	3582953M91 3617184M91	MF 3140, 3670, (3680 SN R199052>), 3690, 8140, 8150, 8160
1	S.18640	Air Conditioning (45 1/2")	1614371M1	MF (285 >SN 9A349239), 2640, (3505, 3525 >SN T258205), (3545 >SN L178203)
1	S.18639	Air Conditioning (43 5/16")	1686883M1M1	MF 699, 3090, 3505, 3525, (3545 SN L178203>), 3630, 3650

These parts are Sparex parts and are not manufactured by the Original Equipment Manufacturer. Original Manufacturers names, part numbers and descriptions are quoted for reference purposes only and are not intended to indicate that our replacement parts are made by the Original Equipment Manufacturer.