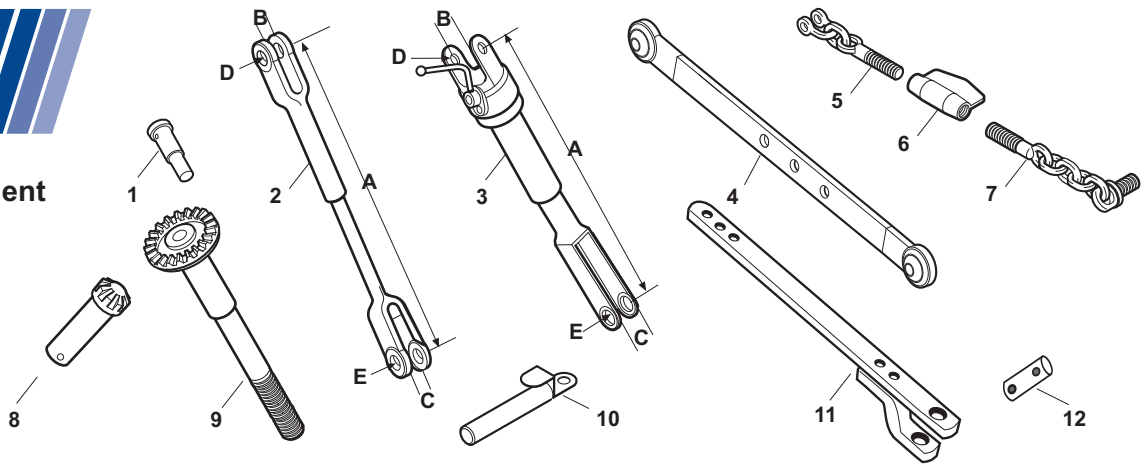


L9

Sparex Replacement Parts - Long

Three Point Linkage



SPAREX No.	DESCRIPTION	EQUIVALENT	TRACTOR MODEL
1	S.69889 Pin - Lift Arm Attaching	TX10801	350, 360, 445, 445DT, 445SD, 460, 460DT, 460SD, 510, 510DT, 560, 560DT, 560DTE, 610, 610DT, 610DTE
2	S.58953 Lift Rod - LH (A=17 1/2 ~ 21 1/4", B=1" ID, C=5/8", D&E=18mm)		Non-Original - Check Dimensions
2	S.69893 Lift Rod - LH (A=18 ~ 22", B=1", C=7/8", D=18mm, E=1")		Non-Original - Check Dimensions
3	S.60235 Leveling Box (A=17 1/2 ~ 21 1/2", B=1 1/16", C=7/8", D=5/8, E=18mm)		Non-Original - Check Dimensions
3	S.69897 Leveling Box (A=18 ~ 22", B=1 1/16", C=7/8", D=5/8, E=18mm)		Non-Original - Check Dimensions
4	S.62498 Lift Arm - Cat 1-2, (32"c-c, 3/4" Thick, 1" Dia Holes)	TX11352	Non-Original - Check Dimensions
5	S.62497 Chain & Clevis - Front	TX12885	260C, 310, 310DT, 310C, 320, 350, 360, 360C, 445, 445DT, 445SD, 445V, 460, 460DT, 460SD, 460V, 510, 510DT, 610C, 2310, 2510, 2510DTC, 2510SD, 2510SD-DTC, 2260, 2460, 2460DTC, 2460SD, 2460SD-DTC
6	S.62493 Turnbuckle	TX11396	260C, 310, 310DT, 310C, 320, 350, 360, 360C, 445, 445DT, 445SD, 445V, 460, 460DT, 460SD, 460V, 510, 510DT, 610C, 2310, 2510, 2510DTC, 2510SD, 2510SD-DTC, 2260, 2460, 2460DTC, 2460SD, 2460SD-DTC
7	S.62494 Chain & Clevis - Rear	TX12886	310, 310DT, 350, 360, 360C, 445, 445DT, 445SD, 460, 460DT, 460SD, 510, 510DT, 560, 560DT, 560DTE, 610, 610DT, 610DTE, 2510, 2510DTC, 2510SD, 2510SD-DTC, 2610, 2610DTC, 2610SD, 2610SD-DTC, 2360, 2360DTC, 2460, 2460DTC, 2460SD, 2460SD-DTC
8	S.69898 Gear - Leveling Box	TX11384	260C, 310, 310DT, 310C, 320, 350, 360, 360C, 445, 445DT, 445SD, 445V, 460, 460DT, 460SD, 460V, 550, 550DT, 560, 560DT, 560DTE, 610, 610DT, 610DTE, 610C, 2310, 2510, 2510DTC, 2510SD, 2510SD-DTC, 2610, 2610DTC, 2610SD, 2610SD-DTC, 2260, 2360, 2360DTC, 2460, 2460DTC, 2460SD, 2460SD-DTC
9	S.69899 Shaft & Gear - Leveling Box	TX11383	260C, 310, 310DT, 310C, 320, 350, 360, 360C, 445, 445DT, 445SD, 445V, 460, 460DT, 460SD, 460V, 550, 550DT, 560, 560DT, 560DTE, 610, 610DT, 610DTE, 610C, 2310, 2510, 2510DTC, 2510SD, 2510SD-DTC, 2610, 2610DTC, 2610SD, 2610SD-DTC, 2260, 2360, 2360DTC, 2460, 2460DTC, 2460SD, 2460SD-DTC
10	S.59157 Pin - Top Link (3/4" Dia, 3 5/16" Useable)	TX14920	260C, 310, 310DT, 310C, 320, 350, 360, 360C, 445, 445DT, 445SD, 445V, 460, 460DT, 460SD, 460V, 560, 560DT, 560DTE, 610, 610DT, 610DTE, 610C, 2310, 2510, 2510DTC, 2510SD, 2510SD-DTC, 2610, 2610DTC, 2610SD, 2610SD-DTC, 2260, 2360, 2360DTC, 2460, 2460DTC, 2460SD, 2460SD-DTC
11	S.67209 Drawbar	TX10797	260C, 310, 310DT, 310C, 320, 350, 360, 360C, 445, 445DT, 445SD, 445V, 460, 460DT, 460SD, 460V, 510, 510DT, 560, 560DT, 560DTE, 610, 610DT, 610DTE, 610C, 2310, 2510, 2510DTC, 2510SD, 2510SD-DTC, 2610, 2610DTC, 2610SD, 2610SD-DTC, 2260, 2360, 2360DTC, 2460, 2460DTC, 2460SD, 2460SD-DTC
12	S.67210 Mounting Pin - Drawbar Two 1/4" Holes - Use S.00037 Linch Pins	TX10777	260C, 310, 310DT, 310C, 320, 350, 360, 360C, 445, 445DT, 445SD, 445V, 460, 460DT, 460SD, 460V, 510, 510DT, 560, 560DT, 560DTE, 610, 610DT, 610DTE, 610C, 2310, 2510, 2510DTC, 2510SD, 2510SD-DTC, 2610, 2610DTC, 2610SD, 2610SD-DTC, 2260, 2360, 2360DTC, 2460, 2460DTC, 2460SD, 2460SD-DTC

Please see Index for alternative O.E. part numbers.

These parts are Sparex parts and are not manufactured by the Original Equipment Manufacturer. Original Equipment Manufacturer names, part numbers and descriptions are quoted for reference purposes only.