

Page No.

1	Water Pumps
2	Water Pump Repair Kits
3	Water Pump Gaskets & Engine Heaters
4	Radiators, Caps, Drain Taps & Fan Blades
5	Top Radiator Hoses
6	Bottom Radiator Hoses
7	Thermostats & Related Components
8-11	Belts

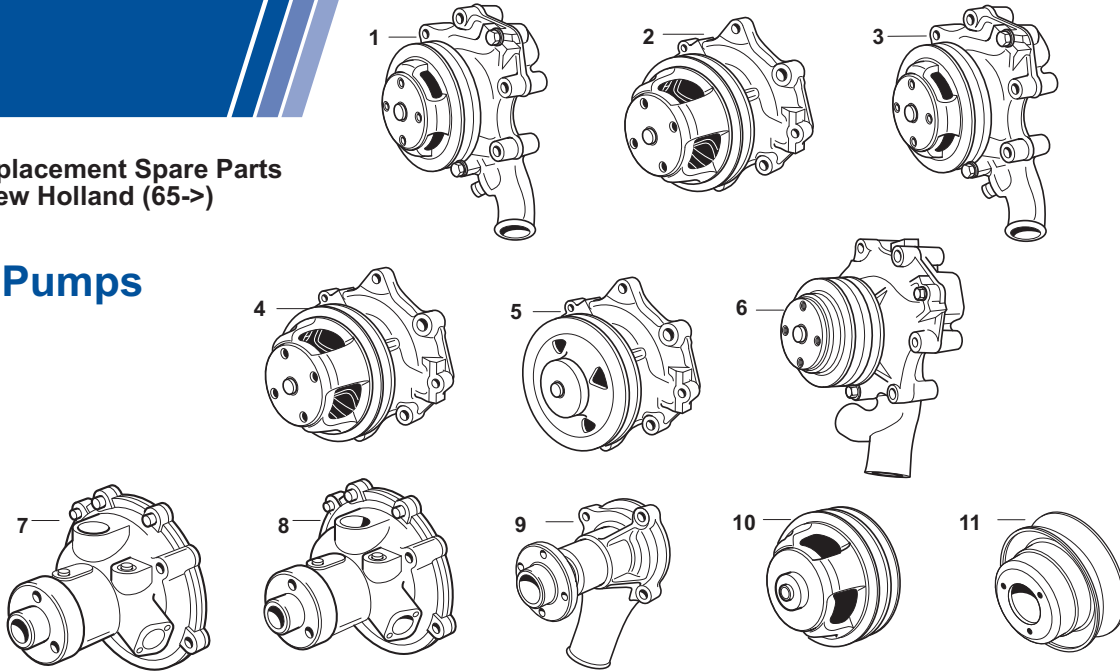
Cooling System and Related Components

Legend: -> before date means "up to"
-> after date means "on"

These parts are Sparex parts and are not manufactured by the Original Equipment Manufacturer. Original Manufacturers' names, part numbers and descriptions are quoted for reference purposes only and are not intended to indicate or suggest that our replacement parts are made by the OEM.

Sparex Replacement Spare Parts for Ford/New Holland (65->)

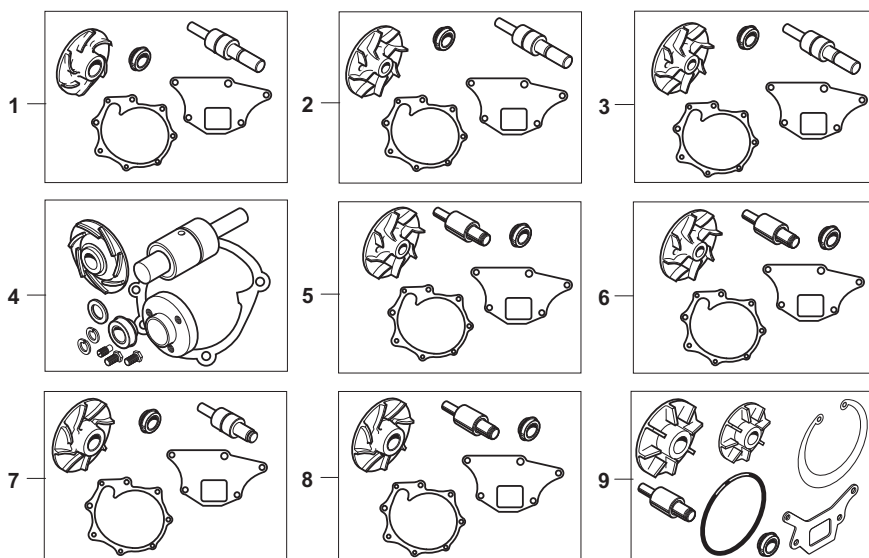
Water Pumps



SPAREX No.	DESCRIPTION	EQUIVALENT	TRACTOR MODEL
1	S.65016 Water Pump & Gasket, Back Housing - Single Pulley Note: Tractors built 65->86 will need Stepped Bolt #9840353 supplied by NH	D8NN8501UC	2000, 3000, 4000, 5000, 7000, 2600, 3600, 4100, 4600, 5600, 5900, 6600, 6700, 7600, 7700, 2310, 2610, 2810, 2910, 3610, 3910, 4110, 4610, 5610, 6610, 6710, 6810, 7410, 7610, 7710, 230A, 231, 233, 234, 333, 334, 335, 340, 340A, 340B, 3400, 3500, 420, 4400, 4500, 445, 445A, 450, 515, 530A, 531, 532, 535, 540, 540A, 540B, 545, 545A, 550, 555, 555A, 555B, 650, 655, 655A, 6500, 750, 755, 755A, 755B, 7500
2	S.65018 Water Pump & Gaskets Less Back Housing, Single Pulley	82845215 EAPN8A513F FAPN8A513GG	Same as Above
3	S.65017 Water Pump & Gasket w/ Back Housing Double Pulley Note: Tractors built prior '86 will need Stepped Bolt #9840353 supplied by NH	E6NN8501CB D8NN8501TC	2600, 3600, 4100, 4600, 5600, 6600, 6700, 7600, 7700, 2310, 2610, 2810, 2910, 3610, 3910, 4110, 4610, 5610, 6610, 6710, 6810, 7410, 7610, 7710, 230A, 231, 233, 234, 333, 334, 335, 340, 340A, 340B, 420, 445, 445A, 450, 515, 530A, 531, 532, 535, 540, 540A, 540B, 545, 545A, 550, 555, 555A, 555B, 650, 655, 655A, 6500, 750, 755, 755A, 755B, 7500
4	S.65019 Water Pump & Gasket Less Back Housing Double Pulley	87800109 EAPN8A513E FAPN8A513DD	Same as Above
5	S.61452 Water Pump & Gasket Less Back Housing Single Pulley	EAPN8A513G FAPN8A513LL EGPN8A513BA	TW5, TW10, TW15, TW20, TW25, TW30, TW35, 7910, 8210, 8530, 8630, 8730, 8830
6	S.65983 Water Pump & Gasket w/ Back Housing Double Pulley	E7NN8501CC	(7810 2/88->)
7	S.59000 Water Pump & Gasket Less Pulley - Offset By-pass Hole	98497117	3010S, (3830, 4430 Orchard), 3435, 3935, 4135
8	S.59032 Water Pump & Gasket Less Pulley Center By-pass Hole	99454833	4330, 4430, 4835, 6635, 7635, TN65F, TN75F, TN90F
9	S.66718 Water Pump & Gasket Less Pulley	2701E8501AA	County 1004, 1124, w/ 'Dorset' Engines 2704C, 2704E, 2715E
10	S.66488 Pulley - Waterpump	F0NN8A528AA	5640, 6640, 7740, TS100, TS110
11	S.69802 Pulley - Waterpump (120mm)	4655014	3830, 4330, (4430 less Cab)
11	S.69801 Pulley - Waterpump (140mm)	4655015	TN65F, TN75F, TN90F

These parts are Sparex parts and are not manufactured by the Original Equipment Manufacturer. Original Manufacturers' names, part numbers and descriptions are quoted for reference purposes only and are not intended to indicate or suggest that our replacement parts are made by the OEM.

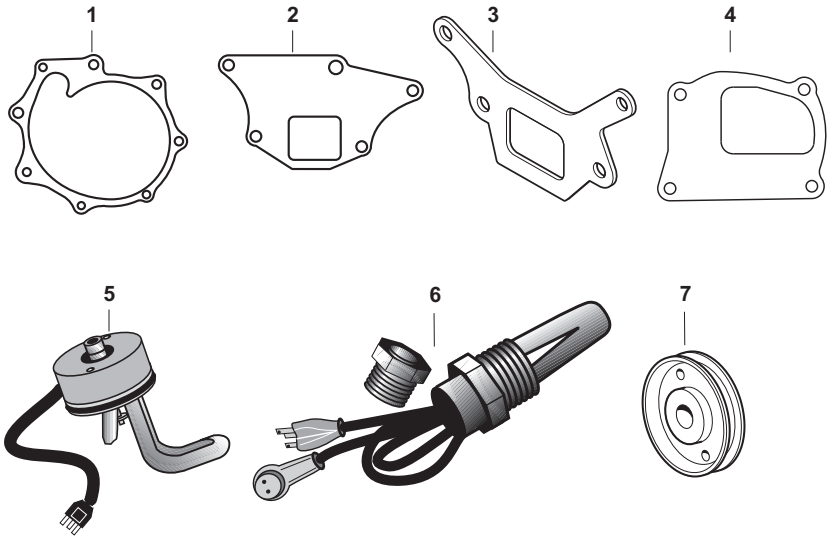
Water Pump Repair Kits



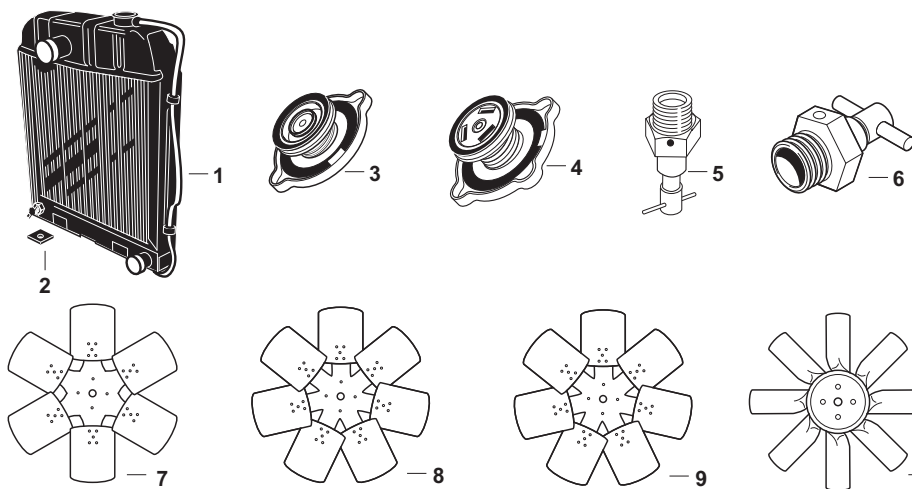
SPAREX No.	DESCRIPTION	EQUIVALENT	TRACTOR MODEL
1	S.65023 Repair Kit - Waterpump (Single Pulley Type) Impellor Diameter = 3.5" - 89mm Fitted with Ceramic Seal Facing Shaft Length = 5.38" - 137mm Bearing Length = 1.5" - 39mm Bearing Diameter = 1.18" - 30mm	83914014 DJPN8591A	Check Dimensions Before Ordering
2	S.65024 Repair Kit - Waterpump (Single Pulley Type) Impellor Diameter = 4.10" - 104mm with Ceramic Seal Facing Shaft Length = 5.37" - 136mm Bearing Length = 1.53" - 39mm Bearing Diameter = 1.18" - 30mm	83914015 DJPN8591B	Check Dimensions Before Ordering
3	S.65022 Repair Kit - Waterpump (Single Pulley Type) Impellor Diameter = 4.13" - 105mm without Ceramic Seal Shaft Length = 5.38" - 137mm Bearing Length = 1.5" - 39mm Bearing Diameter = 1.18" - 30mm	83956729 EGPN8591DA	Check Dimensions Before Ordering
4	S.63059 Repair Kit - Waterpump (Single Pulley Type)	1940105	3010S, 3830 Orchard, 4330 Vineyard, 4430 Orchard, 3435, 3935, 4135, 5635
5	S.65025 Repair Kit - Waterpump (Double Pulley Type) Impellor Diameter = 4.13" - 105mm with Ceramic Seal Facing Shaft Length = 5.3" - 135mm Bearing Length = 2.13" - 54mm Bearing Diameter = 1.5" - 38mm	83923679 EAPN8591A	Check Dimensions Before Ordering
6	S.65026 Repair Kit - Waterpump (Double Pulley Type) Impellor Diameter = 4.13" - 105mm without Ceramic Seal Facing Shaft Length = 5.3" - 135mm Bearing Length = 2.13" - 54mm Bearing Diameter = 1.5" - 38mm	83956725 EGPN8591CA	Check Dimensions Before Ordering
7	S.66011 Repair Kit - Waterpump (Double Pulley Type) Impellor Diameter = 4.79" - 122mm without Ceramic Seal Facing Shaft Length = 5.3" - 135mm Bearing Length = 2.13" - 54mm Bearing Diameter = 1.5" - 38mm	83961311 EJPN8591AA	(7810 ->10/90)
8	S.66010 Repair Kit - Waterpump (Double Pulley Type) Impellor Diameter = 4.7" - 119mm without Ceramic Seal Facing Shaft Length = 5.3" - 135mm Bearing Length = 2.13" - 54mm Bearing Diameter = 1.5" - 38mm	81863960 FAPN8591BB	(7810, 7910, 8210, 8530, 8630, 8730, 8830 11/90->)
9	S.66476 Repair Kit - Waterpump (Supplied with extra Impellor to suit all 40 Series Models)	81866488 FBPN8591A 81866491 FBPN8591B	5640, 6640, 7740, 7840, 8240, 8340, TS90, TS100, TS110

Sparex Replacement Spare Parts
for Ford/New Holland (65->)

Water Pump Gaskets & Engine Heaters



	SPAREX No.	DESCRIPTION	EQUIVALENT	TRACTOR MODEL
1	S.60764	Gasket - Pump to Rear Housing	83959398 C5NE8513A	Most 3, 4, 6 Cylinder Engines built 1965->
2	S.60768	Gasket - Rear Housing to Block	E5NN8507AB C5NE8507A	Most 3, 4, 6 Cylinder Engines built 1965->
3	S.66628	Gasket - Water Pump to Block	F2NN8507AA 82853374	5640, 6640, 7740, 7840, 8240, 8340, TS90, TS100, TS110, Ind. 555E, 575E, 655E, 675E
4	S.62984	Gasket - Water Pump to Block	98400776	3010S, 3830, 4330, 4430, 4835, 5635, 7635, TN65F, TN75F, TN90F
5	S.02370	Core Plug Heater - 600 Watts		Most 3, 4, 6 Cylinder Engines w/ 1 1/2" Core Plugs (except 40 Series)
5	S.02368	Core Plug Heater - 600 Watts		Most 3, 4, 6 Cylinder Engines w/ 1 3/4" Core Plugs (except 40 Series)
6	S.67058	Core Plug Heater - 400 Watts w/ Threaded Core Plug	D8NN8B152AB	(2000, 3000, 4000, 5000 65-2/69) NOTE: Make sure Core Plug can be removed before ordering
7	S.66486	Pulley - Belt Idler (less Air Cond)	F0NN8A618AA	5640, 6640, 7740, 7840, 8240, 8340, TS90, TS100, TS110
7	S.66487	Pulley - Belt Idler (w/ Air Cond)	F0NN8A618BB	5640, 6640, 7740, 7840, 8240, 8340, TS90, TS100, TS110



Sparex Replacement Spare Parts for Ford/New Holland (65->)

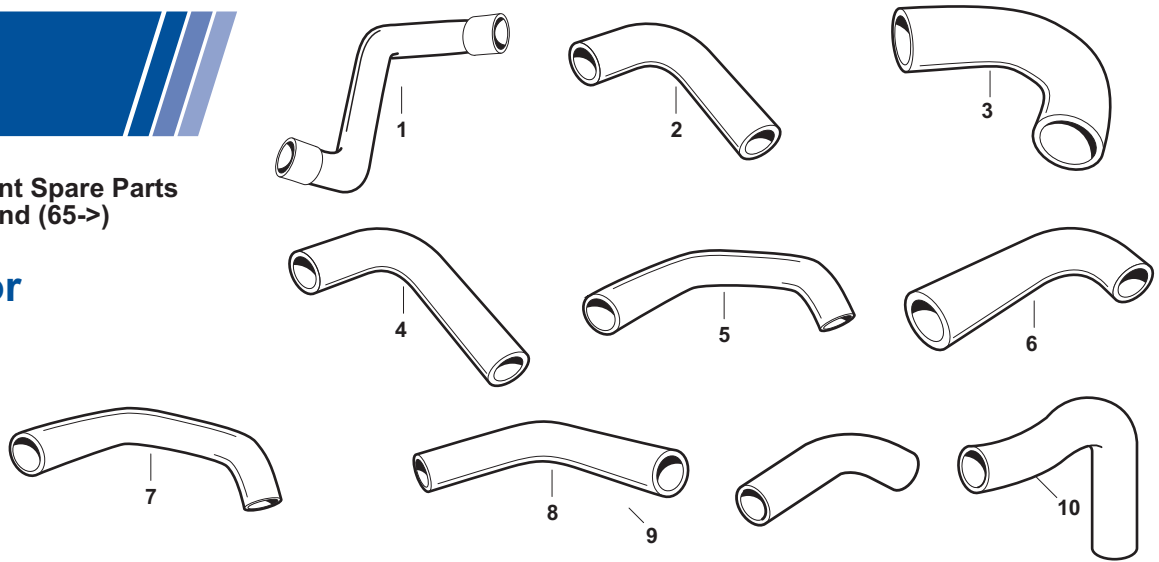
Radiators, Caps & Fans

SPAREX No.	DESCRIPTION	EQUIVALENT	TRACTOR MODEL
1	S.60746 Radiator - w/out Cooler	E0NN8005MD15M C7NN8005N	2000, 3000, 4000, 2600, 3600, 4100, 4600, 2610, 2810, 2910, 3610, 3910, 4110, 4610, Ind. 230A, 231, 234, 333, 334, 335, 340, 340A, 3400, 3500, 420, 445, 4400, 515, 530A, 531, 532, 540A, (545 w/out Loader)
1	S.60681 Radiator - w/out Cooler	86531508 C7NN8005E	5000 (6/68->), 5600, 6600
1	S.61528 Radiator - w/ Cooler Less Air Cond.	E0NN8005GC15M	6610, 7410, 7610
2	S.66551 Radiator Pad (7/16" x 1 1/2" x 3/16")	C5NN8125A	2000, 3000, 4000, (4200, 5000, 7000 2 per Bolt Required), 2600, 3600, 4100, 4600, 5600, 6600, 6700, 7600, 7700, 2610, 2810, 2910, 3610, 3910, 4110, 4610, 5610, 6610, 6710, 6810, 7610, 7710, 7810, 8010, 3430, 3930, 4130, 4330, 4630 Ind. 230A, 231, 233, 234, 250C, 260C, 333, 334, 335, 340, 340A, 340B, 3400, 345C, 345D, 3500, 420, 4400, 445, 445A, 445C, 445D, 450, 4500, 455, 455C, 455D, 515, 530A, 531, 532, 535, 540, 540A, 540B, 545, 545A, 545C, 545D, 550, 555, 555A, 555B, 650, 6500, 655, 655A, 750, 7500, 755, 755A, 755B
3	S.08455 Radiator Cap - 7 Lb	76896 E2NN8100AA D0HA8100C	2000, 3000, 4000, 5000, 7000, 2600, 3600, 4600, 5600, 5900, 6600, 6700, 7600, 7700, 8000, 8600, 8700, 9000, 9600, 9700, 2310, 2610, 2810, 2910, 3610, 3230, 3430, 3910, 4110, 4610, 5610, 6610, 6710, 6810, 7410, 7610, 7710, 3930, 4130, TW10, TW20, TW30, Ind. 230A, 231, 233, 234, 333, 334, 335, 340, 340A, 340B, 3400, 3500, 420, 4400, 445, 445A, 450, 4500, 455, 515, 530A, 531, 532, 535, 540, 540A, 540B, 545, 545A, 550, 555, 555A, 555B, 650, 6500, 655, 655A, 750, 7500, 755, 755A, 755B
3	S.65005 Radiator Cap - 13 Lb	E2NN8100BA	7910, 8210, TW5, TW15, TW25, TW35, 4630, 8530, 8630, 8730, 8830, Ind. 345C, 345D, 445C, 445D, 455C, 455D, 545C, 545D, 555C, 555D, 575D, 655C, 655D, 675D
3	S.66751 Radiator Cap	E5TH8100AA	7810, 7910, 8010, 8210, 4830, 5030, 5640, 6640, 7740, 7840, 8240, 8340, 8670, 8770, 8870, 8970, TS90, TS100, TS110
4	S.63104 Radiator Cap	4999682	(3830, 4330, 4430 Vineyard), 4835, 5635, 6635, 7635, (TN65F, TN75F, TN90F Orchard)
5	S.08440 Drain Tap	81465471 C9NN8115A	Tractors built 1965->
6	S.68822 Drain Tap	5118499	3830, 4330, 4430
7	S.65730 Fan Blade (16") 6 Blade Metal	D9NN8600AA C5NN8600B	2000, 2000, 3000, 4000, 5000, 2600, 3600, 4100, 4600, 2310, 2610, 2810, 2910, 3610, 4110, 4610, 3230, 3430, 3930, 4130, 4630, Ind. 230A, 231, 233, 234, 333, 334, 335, 340, 340B, 3400, 345C, 345D, 3500, 420, 4400, 445, 445A, 445C, 445D, 450, 4500, 455, 455C, 455D, 515, 530A, 531, 532, 535, 540, 540A, 540B, 545, 545A, 545C, 545D, 550, 5500, 555A, 555B, 555C, 555D, 650, 6500, 655, 655A, 55C, 655D, 675
8	S.66797 Fan Blade (17") 7 Blade Metal	D3NN8600A	(5600, 6600, 6700, 7600, 7700, 8/76-> less Air Cond.), (7600, 7700 9/76-9/80 w/ Air Cond), (7710 1/81-10/88 less Air Cond)
9	S.73662 Fan Blade (17.4") 7 Blade	E7NN8600DA	(6810, 7610 11/88->), (7610S 1/94-->)
10	S.60579 Fan Blade (16") 8 Blade Plastic	D9NN8600AA C5NN8600B	Universal (Most 3, 4 Cylinder Tractors built 1965->)
11	S.20560 Antifreeze Tester - Indicates F° and C° Scales		

These parts are Sparex parts and are not manufactured by the Original Equipment Manufacturer. Original Manufacturers' names, part numbers and descriptions are quoted for reference purposes only and are not intended to indicate or suggest that our replacement parts are made by the OEM.

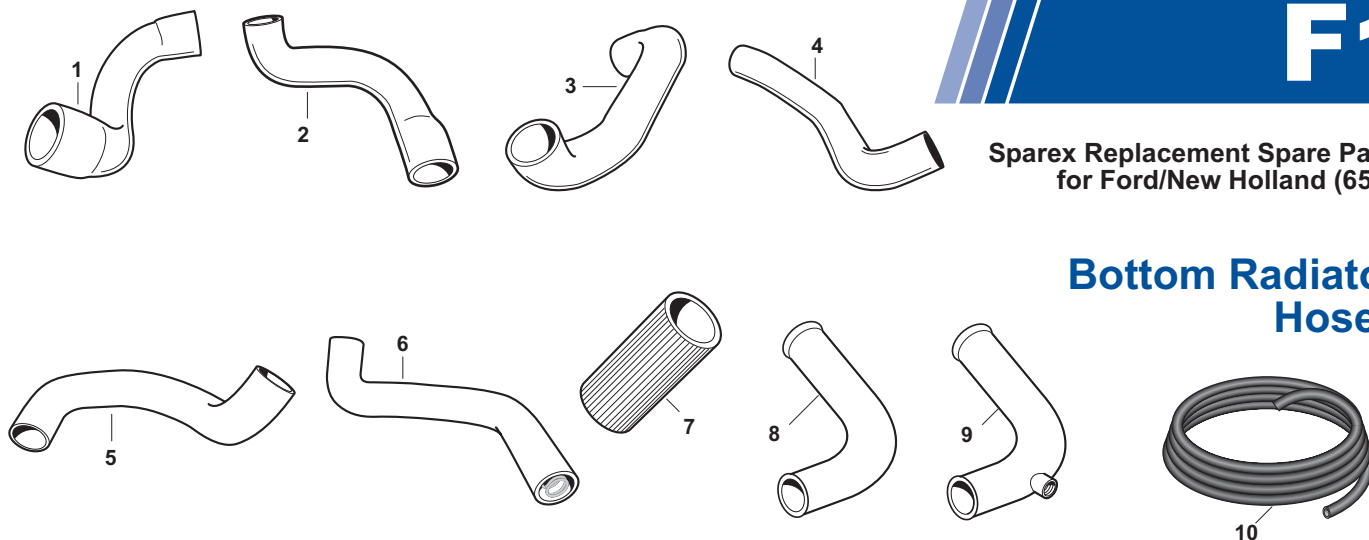
Sparex Replacement Spare Parts
for Ford/New Holland (65->)

Top Radiator Hoses



SPAREX No.	DESCRIPTION	EQUIVALENT	TRACTOR MODEL
1	S.66801 Radiator Hose	C5NN8260D	3 Cylinder Gas - except Rowcrop
2	S.65009 Radiator Hose	D5NN8260D	2000, 3000, 4000, (5000, 7000 except Rowcrop), 2600, 3600, 4100, 4600, 5600, (5900 ->7/87), (6600 Gas/Diesel, except Rowcrop), (6700 Less Air Cond), (7600 except Rowcrop), (7700 Less Air Cond), 2310, 2610, 2810, 2910, 3610, 3910, 4110, 4610, (5610, 6610, 7610 ->7/87), Ind. 230A, 231, 233, 234, (250C, 260C ->3/90), 334, 335, 340, 340A, 3400, 345C, 345D, 3500, 420, 4400, 445, 445A, 445C, 445D, 450, 4500, (455 Less Cooler), 515, 530A, 531, 532, 535, 540, 540A, 540B, 545, 545A, 545C, 545D, 550, 5500, 555, 555A, 555B, 5550, 650, (655, 655A 75-7/87), 6500
3	S.65724 Radiator Hose	E6NN8260CA	(5900 7/87->), (5610, 6610, 7610 8/87->), 5610S, 6610S, 7610S, Ind. (445, 445C w/ Cooler), 555C, 555D, 575D, (655, 655A, 8/87-10/88), 655C, 655D, 675D
4	S.65722 Radiator Hose	D5NN8260C	(6700 7/87-> w/ Air Cond), (7700 8/76-> Less Air Cond), (6710, 7710 1/81-7/87 Less Air Cond)
5	S.65723 Radiator Hose	D4NN8260C	7700 w/ Air Cond), (6710, 7710 ->7/87w/ Air Cond)
6	S.65725 Radiator Hose	E6NN8260BA	(7710 8/87-> Less Air Cond)
7	S.65726 Radiator Hose	E6NN8260AA	(7710 8/87-> w/ Air Cond)
8	S.66106 Radiator Hose	F0NN8260CA	5640, 6640, 7740, TS90, TS100, TS110
9	S.62589 Radiator Hose	44901505	3830, 4330, 4430
10	S.59006 Radiator Hose	5104825	3010S

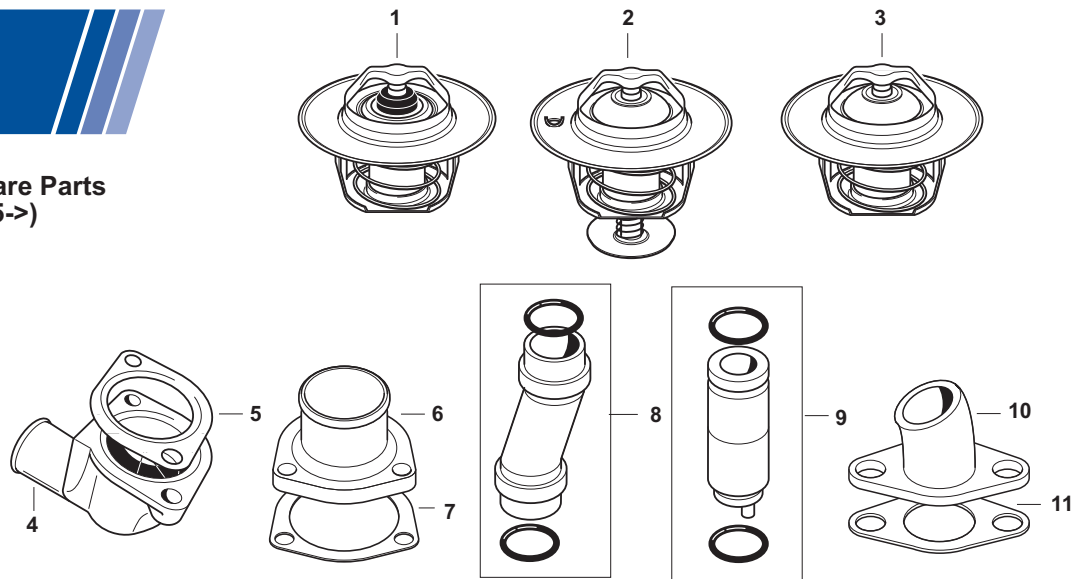
Bottom Radiator Hoses



SPAREX No.	DESCRIPTION	EQUIVALENT	TRACTOR MODEL
1	S.65012 Radiator Hose	C5NN8286B	2000, 3000, (4000 except Rowcrop), 2600, 3600, 4100, 4600, 2310, 3610, 3910, 4110, 4610, 3430, 3930, 4130, 4630, 4830, 5030, 2610, 2810, 2910, Ind. 230A, 231, 233, 234, 250C, 260C, 333, 334, 335, 340, 3400, 3500, 3550, 420, 4400, 515, 530A, 531, 532, 540
2	S.65013 Radiator Hose	C5NN8286C	5000*, 7000*, (5600*, 6600*, 7600*, Less Oil Cooler), (5900, 5610, 6610, Less Air Cond), Ind. 445, 445A, 445C, 445D, 4500, 535, 545, 5500, 5550, 6500 (*except Rowcrop)
3	S.65729 Radiator Hose	D5NN8286F	(5600, 6600*, 7600*, w/ Oil Cooler), (5610*, 6610*, 7610* w/ or w/out Air Cond), 5610S, 6610S, 7610S (*except Rowcrop)
4	S.65727 Radiator Hose	D6NN8286B	(6700, 6710, 7710, Less Air Cond)
5	S.65728 Radiator Hose	E8NN8286BA D5NN8286D	(6700, 7700 w/ Air Cond), (7700 Less Air Cond 8/76->), (6710, 7710 w/ Air Cond)
6	S.66129 Radiator Hose	F0NN8286AB	5640, 6640, 7740, 7840, 8240, 8340, TS90, TS100, TS110
7	S.63043 Radiator Hose (2 Required)	596152	3010S, (4835, 5635, 6635, 7635, w/ Cab), TN65F, TN75F, TN90F
8	S.59002 Pipe	4997262	(4835, 5635 Less Cab)
9	S.59001 Pipe	4956119	3830, 4330, 4430
9	S.59003 Pipe	5117300	3010S
10	S.14705 Heater Hose (5/8" x 32 1/2' roll)		Fits: All Models with Heaters
10	S.14706 Heater Hose (3/4" x 32 1/2' roll)		Fits: All Models with Heaters

Sparex Replacement Spare Parts for Ford/New Holland (65->)

Water Pump Adaptors, Thermostats and Related Components



SPAREX No.	DESCRIPTION	EQUIVALENT	TRACTOR MODEL
1	S.65030 Thermostat - 168° - Diesel	D8NN8575AA	2000, 3000, 4000, 5000, 7000, 8000, 8600, 8700, 9000, 9600, 9700, 2600, 3600, 4100, 4600, 5600, 6600, 6700, 7600, 7700, TW10, TW20, TW30, 2310, 2810, 2910, 3610, 3910, 4110, 4610, (5610, 6610, 6710, 7610, 7710 ->1/87), Ind. 230A, 231, 233, 234, 250C, 260C, 333, 334, 335, 340, 340A, 340B, 345C, 345D, 3400, 3500, 3550, 420, 4400, 445, 445A, 445C, 445D, 450, 4500, 455, 455C, 455D, 515, 531, 532, 535, 540, 540A, 540B, 545, 545A, 545C, 545D, (550, 555, 555A, 555B, 650, 6500, 655, 655A, 750, 7500, 755, 755A, 755B ->8/87)
1	S.65031 Thermostat - 178°	D8NN8575CA	Same as Above - Alternative
1	S.65032 Thermostat - 190°	D8NN8575BA	Same as Above - Alternative - Diesel and All Gas
2	S.65990 Thermostat - 182°	D8NN8575FB 87800842	(5610, 5610S, 6610, 6610S, 6710S, 6710, 6810, 7410, 7610, 7610S, 7710, 7810, 7810S, 7910, 8010, 8210, TW5, TW10, TW15, TW20, TW25, TW30, TW35, 4830, 5030, 8530, 8630, 8730, 8830, 5640, 6640, 7740, 7840, 8240, 8340, 8160, 8260, 8360, 8560, 8670, 8770, 8870, 8970, TS90, TS100, TS110, Ind. 575D, 655, 655A, 655C, 655D, 675D, 755B, 775 1/87->)
3	S.63078 Thermostat - 168°	4823211	3010S, 3830, 4430, 4835, 4835, 5635, 6635, 7635, TN65F, TN75F, TN90F
4	S.65039 Thermostat Housing	C7NN8594B	2000, 3000, 4000, 5000, (2600, 3600, 4600, 2610 Gas), 2910, (3610 Gas), 3910, (4110, 4610 Gas), 3230, 3430, 3930, 4130, 4630, Ind. (230A, 231, 233, 234, 333, 334, 335, 340, 340A, 340B, 3400 Gas), (3400 Diesel), 345C, 345D, (420 Gas), 4400, (445, 445A Gas), 445C, 445D (450 Gas), 4500, 455, 455C, 455D, (530A, 531, 532, 535, 540, 540A, 545, 550 Gas), (5550 w/ Generator), (555 Gas), (555, 555B 3/88-10/88)
5	S.66629 Gasket - Thermostat	81805624 C2DE8255A	(3, 4, 6 Cylinder Tractors 1965->)
6	S.62262 Thermostat Housing	4661543 4599810	3830, 4430 Orchard, TN65F, TN75F TN90F
7	S.59158 Gasket - Thermostat Housing	4599809	Same as Above
8	S.58980 Adaptor Kit	98464616	3010S, 4430 Orchard
9	S.58981 Adaptor Kit	98415712	4835, 6635, 7635, TN65F, TN75F, TN90F
10	S.59004 Lower Water Pump Tube	4697838	3010S, 3830, 4330 Orchard, 4430 Orchard, 4835, 5635, 7635, TN65F, TN75F, TN90F
11	S.57051 Gasket	4599562	Same as Above

These parts are Sparex parts and are not manufactured by the Original Equipment Manufacturer. Original Manufacturers' names, part numbers and descriptions are quoted for reference purposes only and are not intended to indicate or suggest that our replacement parts are made by the OEM.

Belts

Sparex Replacement Spare Parts
for Ford/New Holland (65->)

MODEL	DIMENSIONS	APPLICATION	YEAR	SPAREX	EQUIVALENT
2000	1/2" x 54 1/2"	Generator, Water Pump	65->75	S.11169	86514618 - C9NN10C318B
2310	1/2" x 55 1/4"	Alternator, Water Pump	81->	S.11172	9604339 - D3NN10C318D
2600	1/2" x 55 1/4"	Alternator, Water Pump	75->80	S.11172	9604339 - D3NN10C318D
2610	1/2" x 55 1/4"	Alternator, Water Pump	81->	S.11172	9604339 - D3NN10C318D
2810	1/2" x 55 1/4"	Alternator, Water Pump	86->	S.11172	9604339 - D3NN10C318D
2910	1/2" x 55 1/4"	Alternator, Water Pump	86->	S.11172	9604339 - D3NN10C318D
3000	1/2" x 54 1/2"	Generator, Water Pump	65->75	S.11169	86514618 - C9NN10C318B
3010S	3/8" x 45 1/4"	Alternator, Water Pump	4/96->	S.18606	4796327
3230	1/2" x 55 1/4"	Alternator, Water Pump	90->	S.11172	9604339 - D3NN10C318D
3430	1/2" x 55 1/4"	Alternator, Water Pump	90->	S.11172	9604339 - D3NN10C318D
3600	1/2" x 55 1/4"	Alternator, Water Pump	75->80	S.11172	9604339 - D3NN10C318D
3610	1/2" x 55 1/4"	Alternator, Water Pump	81->	S.11172	9604339 - D3NN10C318D
3910	1/2" x 55 1/4"	Alternator, Water Pump	81->	S.11172	9604339 - D3NN10C318D
3930	1/2" x 55 1/4"	Alternator, Water Pump	90->	S.11172	9604339 - D3NN10C318D
4000	1/2" x 54 1/2"	Generator, Water Pump	65->75	S.11169	86514618 - C9NN10C318B
4100	1/2" x 55 1/4"	Alternator, Water Pump	75->80	S.11172	9604339 - D3NN10C318D
4110	1/2" x 55 1/4"	Alternator, Water Pump	81->	S.11172	9604339 - D3NN10C318D
4130	1/2" x 55 1/4"	Alternator, Water Pump	81->	S.11172	9604339 - D3NN10C318D
4330	3/8" x 45 1/4"	Alternator, Water Pump	4/96->	S.18606	4796327
4430	3/8" x 45 1/4"	Alternator, Water Pump	4/96->	S.18606	4796327
4600	1/2" x 55 1/4"	Alternator, Water Pump	75->80	S.11172	9604339 - D3NN10C318D
4610	1/2" x 55 1/4"	Alternator, Water Pump	81->	S.11172	9604339 - D3NN10C318D
4630	1/2" x 55 1/4"	Alternator, Water Pump	90->	S.11172	9604339 - D3NN10C318D
4835	3/8" x 45 1/4"	Alternator, Water Pump	4/96->	S.18606	4796327
5000	1/2" x 54 1/2"	Generator, Water Pump	65->75	S.11169	86514618 - C9NN10C318B
5110	1/2" x 55 1/4"	Alternator, Water Pump	81->	S.11172	9604339 - D3NN10C318D
5600	1/2" x 55 1/4"	Alternator, Water Pump	75->80	S.11172	9604339 - D3NN10C318D
5610	1/2" x 55 1/4"	Alternator, W/Pump - L/Air Con.	81->	S.11172	9604339 - D3NN10C318D
5610	1/2" x 30 1/8"	Alternator - With Air Conditioning	81->	S.11727	86514616 - D5NN10C318C
5610	1/2" x 55 7/8"	Alternator - Less Air Conditioning	8/87->	S.18652	87800129 - E7NN10C318BA
5635	3/8" x 45 1/4"	Alternator, Water Pump	4/96->	S.18606	4796327
5640	6PV x 2225mm	Water Pump, Alternator, Fan, L/Air Con.	91->98	S.19099	86514606 - F0NN8620FA
5700	1/2" x 55 1/4"	Alternator, Water Pump	81->	S.11172	9604339 - D3NN10C318D
5900	1/2" x 55 1/4"	Alternator, W/ Pump - L/Air Con.	75->	S.11172	9604339 - D3NN10C318D
5900	1/2" x 30 1/8"	Alternator - With Air Conditioning	75->	S.11727	86514616 - D5NN10C318C
6410	1/2" x 55 1/4"	Alternator, W/Pump - L/Air Con.	81->	S.11172	9604339 - D3NN10C318D
6410	1/2" x 30 1/8"	Alternator - With Air Conditioning	81->	S.11727	86514616 - D5NN10C318C
6410	1/2" x 55 7/8"	Alternator - Less Air Conditioning	8/87->	S.18652	87800129 - E7NN10C318BA
6600	1/2" x 55 1/4"	Alternator, Water Pump	75->80	S.11172	9604339 - D3NN10C318D
6600	1/2" x 46"	Fan	4/79->	S.11726	443634 - D6NN8620A
6600	1/2" x 28"	Alternator - With Air Conditioning	77->	S.18710	86518903 - D6NN10C318A
6610	1/2" x 55 1/4"	Alternator, W/ Pump - L/Air Con.	81->	S.11172	9604339 - D3NN10C318D
6610	1/2" x 30 1/8"	Alternator - With Air Conditioning	81->	S.11727	86514616 - D5NN10C318C
6610	1/2" x 55 7/8"	Alternator - Less Air Conditioning	8/87->	S.18652	87800129 - E7NN10C318BA
6635	3/8" x 45 1/4"	Alternator, Water Pump	4/96->	S.18606	4796327
6640	6PV x 2225mm	Water Pump, Alternator, L/Air Con.	91->98	S.19099	86514606 - F0NN8620FA
6700	1/2" x 55 1/4"	Alternator, Water Pump	81->	S.11172	9604339 - D3NN10C318D

These parts are Sparex parts and are not manufactured by the Original Equipment Manufacturer. Original Manufacturers' names, part numbers and descriptions are quoted for reference purposes only and are not intended to indicate or suggest that our replacement parts are made by the OEM.

Sparex Replacement Spare Parts for Ford/New Holland (65->)


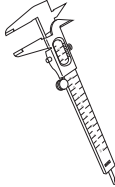


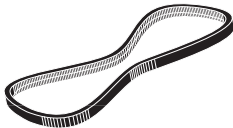
Belts

MODEL	DIMENSIONS	APPLICATION	YEAR	SPAREX	EQUIVALENT
6710	1/2" x 55 1/4"	Alternator, W/ Pump - L/Air Con.	81->	S.11172	9604339 - D3NN10C318D
6710	1/2" x 55 7/8"	Alternator - Less Air Conditioning	8/87->	S.18652	87800129 - E7NN10C318BA
6710	1/2" x 30 1/8"	Alternator - With Air Conditioning	81->	S.11727	86514616 - D5NN10C318D
6810	1/2" x 55 1/4"	Alternator, W/Pump - L/Air Con.	81->	S.11172	9604339 - D3NN10C318D
6810	1/2" x 30 1/8"	Alternator - With Air Conditioning	81->	S.11727	86514616 - D5NN10C318D
6810	1/2" x 55 7/8"	Alternator - Less Air Conditioning	8/87->	S.18652	87800129 - E7NN10C318BA
7000	1/2" x 55 1/4"	Alternator, Water Pump	71->	S.11172	9604339 - D3NN10C318D
7410	1/2" x 55 1/4"	Alternator, W/Pump, Fan - L/Air Con.	81->	S.11172	9604339 - D3NN10C318D
7410	1/2" x 30 1/8"	Alternator - With Air Conditioning	81->	S.11727	86514616 - D5NN10C318C
7410	1/2" x 55 7/8"	Alternator - Less Air Conditioning	8/87->	S.18652	87800129 - E7NN10C318BA
7600	1/2" x 55 1/4"	Alternator, Water Pump, Fan	75->80	S.11172	9604339 - D3NN10C318D
7600	1/2" x 46"	Fan	4/79->	S.11726	443634 - D6NN8620A
7610	1/2" x 46"	Fan	81->	S.11726	443634 - D6NN8620A
7610	1/2" x 41"	Fan - High Mount Alternator	11/88->	S.18723	86514611 - E7NN8620AA
7610	1/2" x 55 1/4"	Alternator - Less Air Conditioning	81->	S.11172	964339 - D3NN10C318D
7610	1/2" x 31 5/8"	Alternator - With Air Conditioning	10/85->	S.65734	86514615 - D7NN10C318A
7610	1/2" x 55 7/8"	Alternator - Less Air Conditioning	8/87->	S.18652	87800129 - E7NN10C318BA
7635	3/8" x 45 1/4"	Alternator, Water Pump	4/96->	S.18606	4796327
7700	1/2" x 55 1/4"	Alternator, Water Pump	75->80	S.11172	9604339 - D3NN10C318D
7700	1/2" x 46"	Fan	4/76->	S.11726	443634 - D6NN8620A
7700	1/2" x 54 1/2"	Alternator - With Air Conditioning	77->	S.11169	86514618 - C9NN10C318B
7710	1/2" x 46"	Fan	81->	S.11726	443634 - D6NN8620A
7710	1/2" x 41"	Fan - High Mount Alternator	11/88->	S.18723	86514611 - E7NN8620AA
7710	1/2" x 30 1/8"	Alternator - Less Air Conditioning	81->	S.11727	86514616 - D5NN10C318C
7710	1/2" x 31 5/8"	Alternator - With Air Conditioning	10/85->	S.65734	86514615 - D7NN10C318A
7710	1/2" x 55 7/8"	Alternator - Less Air Conditioning	8/87->	S.18652	87800129 - E7NN10C318BA
7740	6PV x 2215mm	Water Pump, Alternator, Fan, L/Air Con.	91->98	S.19098	82850750 - F0NN8620GA
7740	6PK x 2550mm	Water Pump, Alternator, Fan, W/Air Con.	91->98	S.18678	82850752 - F3NN8620EA
7840	6PV x 2215mm	Water Pump, Alternator, Fan, L/Air Con.	91->98	S.19098	82850750 - F0NN8620GA
7840	6PK x 2550mm	Water Pump, Alternator, Fan, W/Air Con.	91->98	S.18678	82850752 - F3NN8620EA
8340	6PV x 2215mm	Water Pump, Alternator, Fan, L/Air Con.	91->98	S.19098	82850750 - F0NN8620GA
7810	1/2" x 31 5/8"	Alternator - With Air Conditioning	2/88->	S.65734	86514615 - D7NN10C318A
7810	1/2" x 41"	Fan - High Mount Alternator	11/88->	S.18723	86514611 - E7NN8620AA
7810	1/2" x 56 1/2"	Air Conditioning	2/88->	S.18653	9636395 - E3NN19D621AA
7910	1/2" x 58 1/4"	Water Pump	82->	S.18654	9636395 - E3NN19D621AA
7910	1/2" x 55 1/4"	Alternator - With Air Conditioning	82->	S.11172	9604339 - D3NN10C318D
7910	1/2" x 56 1/2"	Alternator - With Viscous Fan	11/88->	S.18653	9636395 - E3NN19D621AA
7910	1/2" x 58 1/4"	Alternator	1/90->	S.18654	9625879 - D6NN8620B
7910	1/2" x 54 1/2"	Air Conditioning	82->3/84	S.11169	86514618 - C9NN10C318B
7910	1/2" x 56 1/2"	Air Conditioning	4/84->12/89	S.18653	9636395 - E3NN19D621AA
8000	1/2" x 54 1/2"	Generator - Water Pump	68->12/69	S.11169	86514618 - C9NN10C318B
8000	3/8" x 57"	Fan	68->	S.18620	86518907 - C7NN8620A

These parts are Sparex parts and are not manufactured by the Original Equipment Manufacturer. Original Manufacturers' names, part numbers and descriptions are quoted for reference purposes only and are not intended to indicate or suggest that our replacement parts are made by the OEM.

Belts


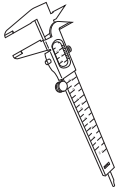
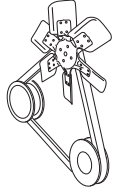

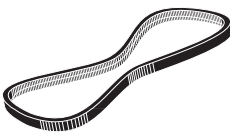
Sparex Replacement Spare Parts
for Ford/New Holland (65->)

					
MODEL	DIMENSIONS	APPLICATION	YEAR	SPAREX	EQUIVALENT
8210	1/2" x 58 1/4"	Fan, Water Pump	82->	S.18654	9625879 - D6NN8620B
8210	1/2" x 55 1/4"	Alternator - With Air Conditioning	82->	S.11172	9604339 - D3NN10C318D
8210	1/2" x 56 1/2"	Alternator - With Viscous Fan	11/88->	S.18653	9636395 - E3NN19D621AA
8210	1/2" x 58 1/4"	Alternator	1/90->	S.18654	9625879 - D6NN8620B
8210	1/2" x 54 1/2"	Air Conditioning	82->3/84	S.11169	86514618 - C9NN10C318B
8210	1/2" x 56 1/2"	Air Conditioning	4/84->12/89	S.18653	9636395 - E3NN19D621AA
8530	1/2" x 58 1/4"	Alternator - Water Pump	90->	S.18654	9625879 - D6NN8620B
8530	1/2" x 58 1/4"	Air Conditioning Compressor	90->	S.18654	9625879 - D6NN8620B
8600	3/8" x 57"	Fan	->1/73	S.18620	86518907 - C7NN8620A
8600	1/2" x 57"	Fan	2/73->	S.18739	9636580 - D8NN10C318AA
8600	1/2" x 55 1/4"	Alternator - Water Pump	72->	S.11172	9604339 - D3NN10C318D
8630	1/2" x 58 1/4"	Alternator - Water Pump	90->	S.18654	9625879 - D6NN8620B
8630	1/2" x 58 1/4"	Air Conditioning Compressor	90->	S.18654	9625879 - D6NN8620B
8700	1/2" x 58 1/4"	Alternator - Water Pump	8/76->	S.18654	9625879 - D6NN8620B
8700	3/8" x 57"	Fan	75->	S.18620	86518907 - C7NN8620A
8700	1/2" x 55 1/4"	Air Conditioning Compressor	75->	S.11172	9604339 - D3NN10C318D
8730	1/2" x 58 1/4"	Air Conditioning Compressor	90->	S.18654	9625879 - D6NN8620B
8730	1/2" x 58 1/4"	Alternator - Water Pump	90->	S.18654	9625879 - D6NN8620B
8830	1/2" x 58 1/4"	Air Conditioning Compressor	90->	S.18654	9625879 - D6NN8620B
8830	1/2" x 58 1/4"	Alternator - Water Pump	90->	S.18654	9625879 - D6NN8620B
9000	1/2" x 54 1/2"	Alternator - Water Pump	69->	S.11176	D4NN10C318A
9000	3/8" x 57"	Fan	1/69-12/78	S.18620	86518907 - C7NN8620A
9600	1/2" x 54 1/2"	Alternator - Water Pump	10/75-7/76	S.11169	86514618- C9NN10C318B
9600	1/2" x 57"	Fan	2/73->	S.18739	D2NN8620A - D8NN10C318AA
9600	1/2" x 56 1/2"	Air Conditioning Compressor	10/72->	S.11169	86514618 - C9NN10C318B
9700	1/2" x 54 1/2"	Air Conditioning Compressor	8/76-12/78	S.11169	86514618 - C9NN10C318B
9700	3/8" x 57"	Fan	8/76->	S.18620	86518907 - C7NN8620A
9700	1/2" x 58 1/4"	Alternator - Water Pump	8/76-12/78	S.18654	9625879 - D6NN8620B
TN65F	3/8" x 45 1/4"	Alternator - Water Pump	4/96->	S.18606	4796327
TN75F	3/8" x 45 1/4"	Alternator - Water Pump	4/96->	S.18606	4796327
TN90F	3/8" x 45 1/4"	Alternator - Water Pump	4/96->	S.18606	4796327
TW5	1/2" x 58 1/4"	Alternator - Water Pump, Fan	1/83-12/89	S.18654	9625879 - D6NN8620B
TW5	1/2" x 56 1/2"	Air Conditioning	1/83-12/89	S.18653	9636395 - E3NN19D621AA
TW10	1/2" x 57 1/8"	Alternator - Water Pump, Fan	1/79-12/82	S.18739	9636580 - D8NN10C318AA
TW10	1/2" x 58 1/4"	Fan	1/79-12/82	S.18654	9625879 - D6NN8620B
TW10	1/2" x 54 1/2"	Air Conditioning Compressor	1/79-12/82	S.11169	86514618 - C9NN10C318B
TW15	1/2" x 58 1/4"	Alternator - Water Pump, Fan	1/83-12/89	S.18654	9625879 - D6NN8620B
TW15	1/2" x 56 1/2"	Air Conditioning	1/83-12/89	S.18653	9636395 - E3NN19D621AA
TW25	1/2" x 58 1/4"	Alternator - Water Pump, Fan	1/83-12/89	S.18654	9625879 - D6NN8620B
TW25	1/2" x 56 1/2"	Air Conditioning	1/83-12/89	S.18653	9636395 - E3NN19D621AA

These parts are Sparex parts and are not manufactured by the Original Equipment Manufacturer. Original Manufacturers' names, part numbers and descriptions are quoted for reference purposes only and are not intended to indicate or suggest that our replacement parts are made by the OEM.

Sparex Replacement Spare Parts for Ford/New Holland (65->)

Belts

MODEL	DIMENSIONS	APPLICATION	YEAR	SPAREX	EQUIVALENT
					
TW35	1/2" x 58 1/4"	Alternator - Water Pump, Fan	1/83-12/89	S.18654	9625879 - D6NN8620B
TW35	1/2" x 56 1/2"	Air Conditioning	1/83-12/89	S.18653	9636395- E3NN19D621AA
TW20	1/2" x 57 1/8"	Alternator - Water Pump, Fan	1/79-12/82	S.18739	9636580 - D8NN10C318AAB
TW20	1/2" x 58 1/4"	Fan	1/79-12/82	S.18654	9625879 - D6NN8620B
TW20	1/2" x 54 1/2"	Air Conditioning Compressor	1/79-12/82	S.11169	86514618- C9NN10C318B
TW30	1/2" x 58 1/4"	Alternator - Water Pump, Fan	1/79-12/82	S.18739	9636580 - D8NN10C318AAB
TW30	1/2" x 58 1/2"	Fan	1/79-12/82	S.18654	9625879 - D6NN8620B
TW30	1/2" x 54 1/2"	Air Conditioning Compressor	1/79-12/82	S.11169	86514618- C9NN10C318B
County Tractors					
654	1/2" x 54 1/2"	Alternator, Water Pump	65->75	S.11169	86514618 - C9NN10C318B
754	1/2" x 54 1/2"	Alternator, Water Pump	65->75	S.11169	86514618 - C9NN10C318B
764	1/2" x 55 1/4"	Alternator, Water Pump	75->	S.11172	9604339 - D3NN10C318D
964	1/2" x 55 1/4"	Alternator, Water Pump	75->	S.11172	9604339 - D3NN10C318D
974	1/2" x 55 1/4"	Alternator, Water Pump	75->	S.11172	9604339 - D3NN10C318D
1164	1/2" x 56 1/2"	Alternator, Water Pump	74->	S.18653	9636395- E3NN19D621AA

V-BELT SIZE CHART		
SPAREX	DIMENSIONS	EQUIVALENT
S.18710	1/2" X 28"	86518903 - D6NN10C318A
S.11727	1/2" X 30 1/8"	86514616 - D5NN10C318C
S.65734	1/2" X 31 5/8"	86514615 - D7NN10C318A
S.18723	1/2" X 41"	86514611 - E7NN8620AA
S.11726	1/2" X 46"	443634 - D6NN8620A
S.11169	1/2" X 54 1/2"	86514618 - C9NN10C318B
S.11172	1/2" X 55 1/4"	9604339 - D3NN10C318D
S.18652	1/2" X 55 7/8"	87800129 - E7NN10C318BA
S.18653	1/2" X 56 1/2"	9636395 - E3NN19D621AA
S.18620	3/8" x 57"	86518907 - C7NN8620A
S.18739	1/2" X 57 1/8"	9636580 - D8NN10C318AAB
S.18654	1/2" X 58 1/4"	9625879 - D6NN8620B

These parts are Sparex parts and are not manufactured by the Original Equipment Manufacturer. Original Manufacturers' names, part numbers and descriptions are quoted for reference purposes only and are not intended to indicate or suggest that our replacement parts are made by the OEM.