

## Brakes and Related Components

Page No.

- |   |  |
|---|--|
| 1 | Drum Brakes and<br>Related Components        |
| 2 | Drum Brake Linkage and<br>Brake Components   |
| 3 | Disc Brakes and<br>Related Components        |
| 4 | Brake Disc Linkage and<br>Related Components |
| 5 | Hand Brakes and<br>Related Components        |

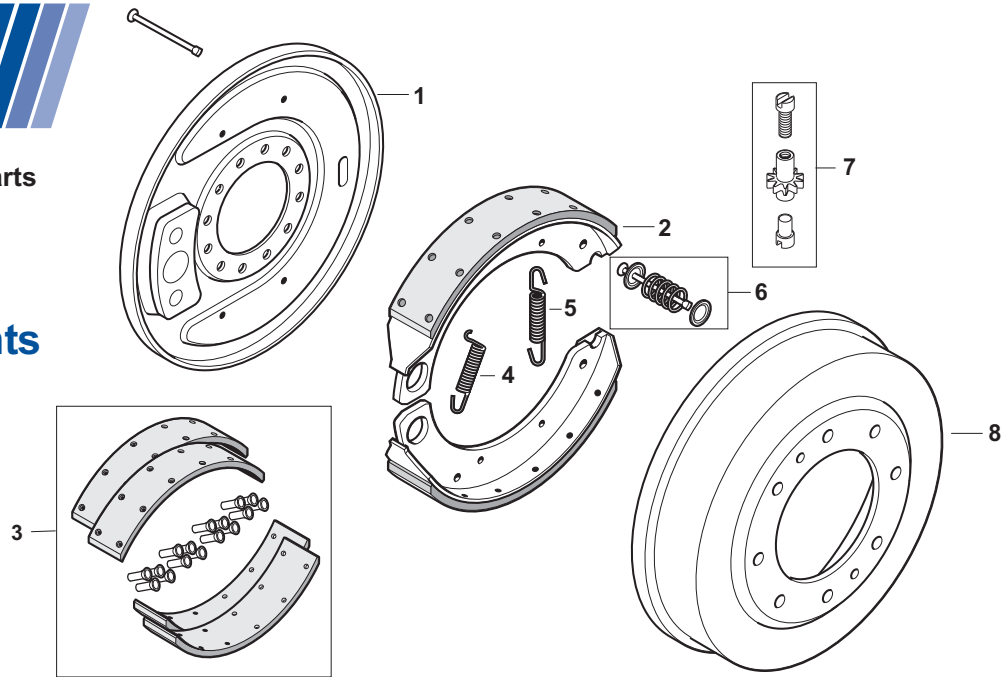
**Legend:** -> before date means "up to"  
          -> after date means "on"

These parts are Sparex parts and are not manufactured by the Original Equipment Manufacturer. Original Manufacturers' names, part numbers and descriptions are quoted for reference purposes only and are not intended to indicate or suggest that our replacement parts are made by the OEM.

# F6

Sparex Replacement Spare Parts  
for Ford/New Holland (65->)

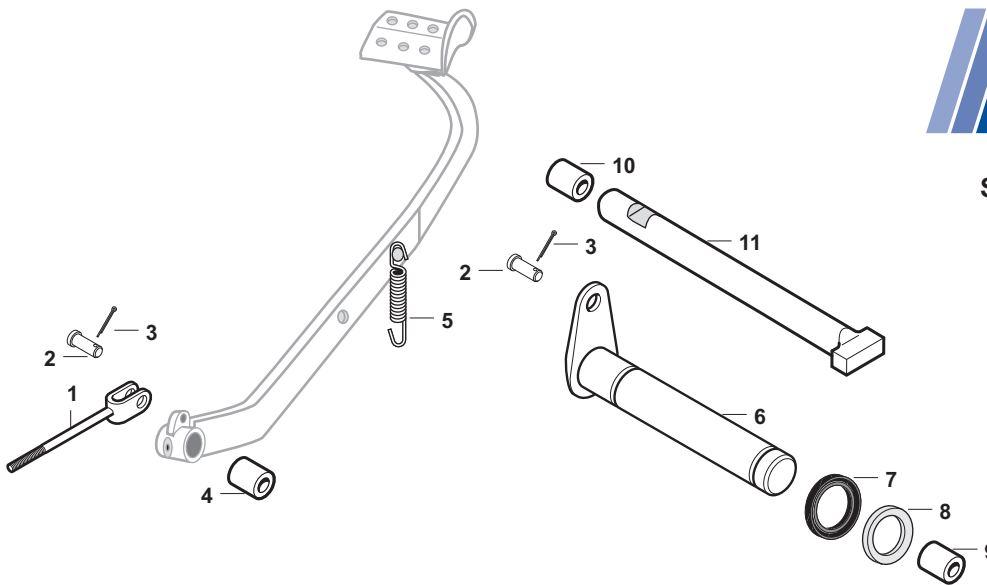
## Drum Brakes and Related Components



SPAREX No.	DESCRIPTION	EQUIVALENT	TRACTOR MODEL
1	<b>S.61859</b> Backing Plate	C5NN2212D	(2000, 3000 12/66->), 2600, 3600, 2310, 2610, 3610, Ind. 230A, 231, 233, 234, (2110LCG 12/66->), 333, 334, 335, (3400, 4110LCG 12/66->), 530A, 531
2	<b>S.66862</b> Brake Shoe (1 1/2" Wide) Sold in multiples of 2 / Priced each	C5NN2218E	(2000, 3000 ->11/66), Ind. (2110LCG, 3400, 4110LCG >11/66)
2	<b>S.65371</b> Brake Shoe (1 1/2" Wide)	F2NN2218AA D9NN2218AA	(2000, 3000 12/66->), 2600, 3600, 2610, 3610, Ind. (2110LCG, 3400 12/66->), 333, 334, 335, (4110LCG 12/66->), 530A, 531
2	<b>S.65794</b> Brake Shoe (2" Wide - Heavy Duty)		(2000, 3000 12/66->), 2600, 3600, 2610, 3610, Ind. (2110LCG, 3400 12/66->), 333, 334, 335, (4110LCG 12/66->), 530A, 531
3	<b>S.65721</b> Lining & Rivet Kit (1 1/2" Wide) Contains: 4 Linings, 48 Rivits)	C5NN2284D	(2000, 3000 1/66-11/66), Ind. (2110LCG, 3400, 3500, 4110LCG UK 1/66-11/66)
4	<b>S.01785</b> Spring - Shoe Return	C5NN3A346B	(2000, 3000 12/66->), 2600, 3600, 2310, 2610, 3610, Ind. (2110LCG, 3400 12/66->), 230A, 231, 233, 234, 333, 334, 335, (3500 6/68-12/72), (4110LCG 12/66->), 530A, 531
5	<b>S.42067</b> Spring - Adjuster	C5NN2B289A	(2000, 3000 12/66->), 2600, 3600, 2310, 2610, 3610, Ind. (2110LCG, 3400 12/66->), 230A, 231, 233, 234, 333, 334, 335, (3500 6/68-12/72), (4110LCG 12/66->), 530A, 531
6	<b>S.66174</b> Brake Pin Kit Contains: 4 Pins, 8 Cups, 4 Springs	957E2069A 957E2066 957E2068	(2000, 3000 12/66->), 2600, 3600, 2310, 2610, 3610, Ind. (2110LCG, 3400 12/66->), 230A, 231, 233, 234, 333, 334, 335, (3500 6/68-12/72), (4110LCG 12/66->), 530A, 531
7	<b>S.41564</b> Adjuster Assembly	C5NN2N046B	(2000, 3000 12/66->), 2600, 3600, 2310, 2610, 3610, Ind. (2110LCG, 3400 12/66->), 230A, 231, 233, 234, 333, 334, 335, (3500 6/68-12/72), (4110LCG 12/66->), 530A, 531
8	<b>S.65373</b> Brake Drum	C5NN1126E	2000, 3000, 2600, 3600, 2610, 3610, Ind. 230A, 231, 233, 234, 2110LCG, 333, 334, 335, 3400, 3500, (4110LCG), 530A, 531

Sparex Replacement Spare Parts  
for Ford/New Holland (65->)

## Drum Brake Linkage and Related Components



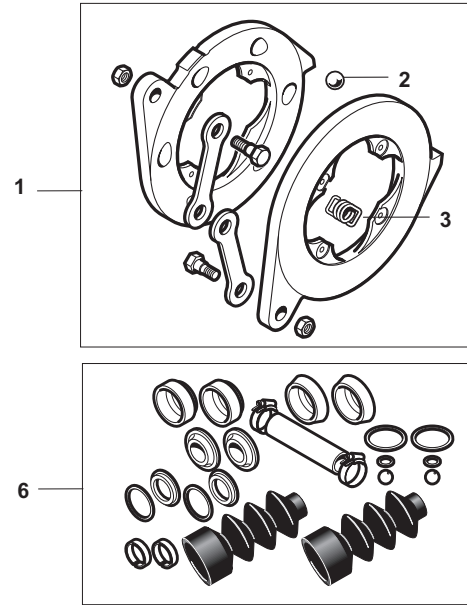
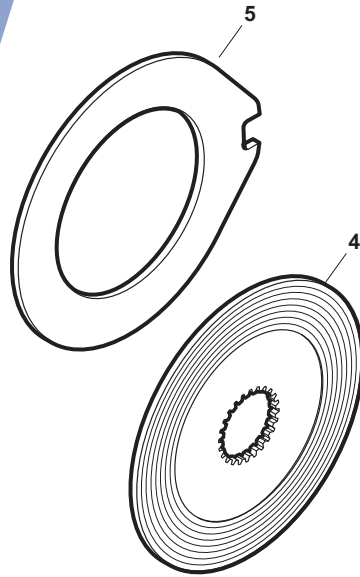
SPAREX No.	DESCRIPTION	EQUIVALENT	TRACTOR MODEL
1	<b>S.43172</b> Rod - Cross Shaft to Actuator Shaft	C7NN2466A	2000, 3000, 2600, 3600, 2310, 2610, 3610, Ind. 230A, 231, 233, 234, 2110LCG, 333, 334, 335, 3400, 3500, 4110LCG, 530A, 531
2	<b>S.00061</b> Clevis Pin (3/8" x 1" Useable)	73919S8	2000, 3000, 2600, 3600, 2310, 2610, 3610, Ind. 230A, 231, 233, 234, 2110LCG, 333, 334, 335, 3400, 3500, 4110LCG, 530A, 531
3	<b>S.01495</b> Cotter Key		2000, 3000, 2600, 3600, 2310, 2610, 3610, Ind. 230A, 231, 233, 234, 2110LCG, 333, 334, 335, 3400, 3500, 4110LCG, 530A, 531
4	<b>S.66623</b> Bushing - Pedal - RH (1 1/4" x 1 1/8" x 1 7/8")	C5NN2461B	2000, 3000, 2600, 3600, 2310, 2610, 3610, Ind. 230A, 231, 233, 234, 2110LCG, 333, 334, 335, 3400, 3500, 4110LCG, 530A, 531
5	<b>S.60429</b> Spring - Pedal Return	E1NN2472BA	2000, 3000, 2600, 3600, 2310, 2610, 3610, Ind. 230A, 231, 233, 234, 2110LCG, 333, 334, 335, 3400, 3500, 4110LCG, 530A, 531
6	<b>S.61848</b> Cross Shaft	D1NN2473B	(2000, 3000 ->10/72), Ind. (2110LCG, 3400, 3500, 4110LCG ->10/72), NOTE: When replacing shafts prior to 11/71 also use Snap Ring S.02879 and Thrust Washer (C5NN2N547E not supplied by Sparex
7	<b>S.65870</b> Seal - Cross Shaft	D9NN2N289AA	2000, 3000, 2600, 3600, 2310, 2610, 3610, Ind. 230A, 231, 233, 234, 2110LCG, 333, 334, 335, 3400, 3500, 4110LCG, 530A, 531
8	<b>S.65375</b> Dust Seal - Cross Shaft - Felt	D2NN2N171A	2000, 3000, 2600, 3600, 2310, 2610, 3610, Ind. 230A, 231, 233, 234, 2110LCG, 333, 334, 335, 3400, 3500, 4110LCG, 530A, 531
9	<b>S.61475</b> Bushing - Cross Shaft (1 1/4" x 1 1/8" x 1")	C5NN2N477A	2000, 3000, 2600, 3600, 2310, 2610, 3610, Ind. 230A, 231, 233, 234, 2110LCG, 333, 334, 335, 3400, 3500, 4110LCG, 530A, 531
10	<b>S.66631</b> Bushing - Actuator (Located in Trumpet Housing) (1 1/16" x 1" x 1")	782477	2000, 3000, 2600, 3600, 2310, 2610, 3610, Ind. 230A, 231, 233, 234, 2110LCG, 333, 334, 335, 3400, 3500, 4110LCG, 530A, 531
11	<b>S.61858</b> Actuator Rod	C5NN2N247G	2000, 3000, 2600, 3600, 2310, 2610, 3610, Ind. 230A, 231, 233, 234, 2110LCG, 333, 334, 335, 3400, 3500, 4110LCG, 530A, 531

These parts are Sparex parts and are not manufactured by the Original Equipment Manufacturer. Original Manufacturers' names, part numbers and descriptions are quoted for reference purposes only and are not intended to indicate or suggest that our replacement parts are made by the OEM.

# F6

Sparex Replacement Spare Parts  
for Ford/New Holland (65->)

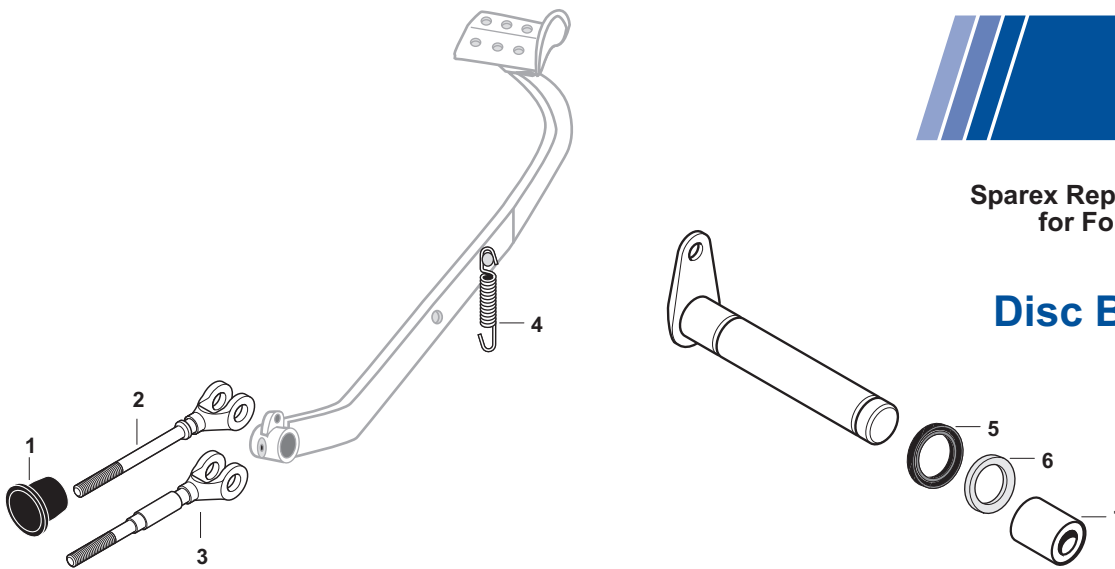
## Disc Brakes and Related Components



SPAREX No.	DESCRIPTION	EQUIVALENT	TRACTOR MODEL
1	<b>S.66176</b> Actuator Assembly (8")	D5NN2N317A	<b>4000, 3900, 4100, 4600, (2810, 2910, 3910, 4110, 4610 -&gt;6/88), Ind. (340, 340A, 340B, w/out 4500 lb Loader), 335, 420, 4400, (445, 445A, 450 w/out 4500 lb Loader), 515, 532, (540, 540A, 540B, 545, 545A w/out 4500 lb Loader)</b>
1	<b>S.40830</b> Actuator Assembly (9")	C7NN2N317A	<b>(5000 1/69-&gt;), 7000, 5600, 5900, 6600, 6700, 7600, 7700, (5610, 6610, 6710, 6810, 7610, 7710 -&gt;5/88), (7810, 7910, 8210 1/82-2/88), Ind. 750, 755, 755A, 755B, 7500</b>
1	<b>S.66333</b> Actuator Assembly (9")	E6NN2N317AA	<b>(5900, 5610, 6610, 6710, 6810, 7610, 7710 6/88-&gt;), 5610S, 6610S, 7610S, 7810S, (7910 2/88-&gt;), 8010, (8210 2/88-&gt;), 5640, 6640, 7740, 7840, 8240, 8340, TS90, TS100, TS110</b>
2	<b>S.41451</b> Ball (7/8")	D5NN2N141A	<b>Actuators S.66176, S.40830, S.66333 (Plus all other tractors w/ mechanically applied disc brakes)</b>
3	<b>S.40834</b> Spring - Actuator	C5NN2N320A	<b>Same as Above</b>
4	<b>S.65376</b> Brake Disc - Friction (8") (5/8" Wide Lining - Early Version)	C5NN2A097B	<b>4000, 3900, 4100, 4600, Ind. 340, 340A, 340B, 3550, 420, 445, 445A, 450, 4500, 515, 532, 535, 540A, 540B, 545, 545A</b>
4	<b>S.66178</b> Brake Disc - Friction (8") (1 9/32" Wide Lining - Late Version)	E9NN2N097AA C5NN2A097B	<b>4000, 3900, 4100, 4600, 2810, 2910, 3910, 4110, 4610, 3230, 3430, 3930, 4130, 4630, 4830, 5030, Ind. 250C, 260C, 340, 340A, 340B, 345C, 345D, 3550, 420, 445, 445A, 445C, 445D, 450, 4500, 515, 532, 535, 540A, 540B, 545, 545A, 545C, 545D, 550, 555, 555A, 555B, 655, 655A</b>
4	<b>S.65377</b> Brake Disc - Friction (9") (5/8" Wide Lining - Early Version)	C7NN2A097B	<b>5000, 7000, 5600, 6600, 6700, 7600, 7700, 6710, 7710, Ind. 5500, 5550, 650, 6500, 750, 755, 755A, 755B, 7500</b>
4	<b>S.66175</b> Brake Disc - Friction (9") (1 9/32" Wide Lining - Late Version)	E9NN2N097BA	<b>5900, 5610, 5610S, 6610, 6610S, 6810, 7610, 7610S, (7810 less Cab), 7810S, 7910, 8010, 8210, 5640, 6640, 7740, 7840, 8240, 8340, TS90, TS100, TS110</b>
5	<b>S.65378</b> Intermediate Disc (8") Steel	C5NN2N315B	<b>4000, 3900, 4100, 4600, 2810, 2910, 3910, 4110, 4610, 3230, 3430, 3930, 4130, 4630, 4830, 5030, Ind. 250C, 260C, 335, 340, 340A, 340B, 345C, 345D, 3550, 420, 445, 445A, 445C, 445D, 450, 455, 4400, 4500, 515, 532, 535, 540, 540A, 540B, 545, 545A, 545C, 545D, (550, 555, 555A, 555B, 655, 655A -&gt;8/86)</b>
5	<b>S.65379</b> Intermediate Disc (9") Steel (2" Wide Lining - Early Version)	C5NN2N315A	<b>5000, 7000, 5600, 6600, 6700, 7600, 7700, Ind. 5500, 5550, 650, 6500, 750, 7500, 755, 755A, 755B</b>
5	<b>S.66179</b> Intermediate Disc (9") (1 9/16" Wide Lining - Late Version)	E6NN2N315AA	<b>5900, 5610, 5610S, 6610, 6610S, 6710, 6810, 7610, 7610S, 7710, 7810, 7810S, 7910, 8010, 8210, 5640, 6640, 7740, 7840, 8240, 8340, TS90, TS100, TS110</b>
6	<b>S.66787</b> Repair Kit - Master Cylinder	F1NN2004AA	<b>5640, 6640, 7740, 7840, 8240, 8340, TS90, TS100, TS110</b>

Sparex Replacement Spare Parts  
for Ford/New Holland (65->)

## Disc Brake Linkage and Related Components



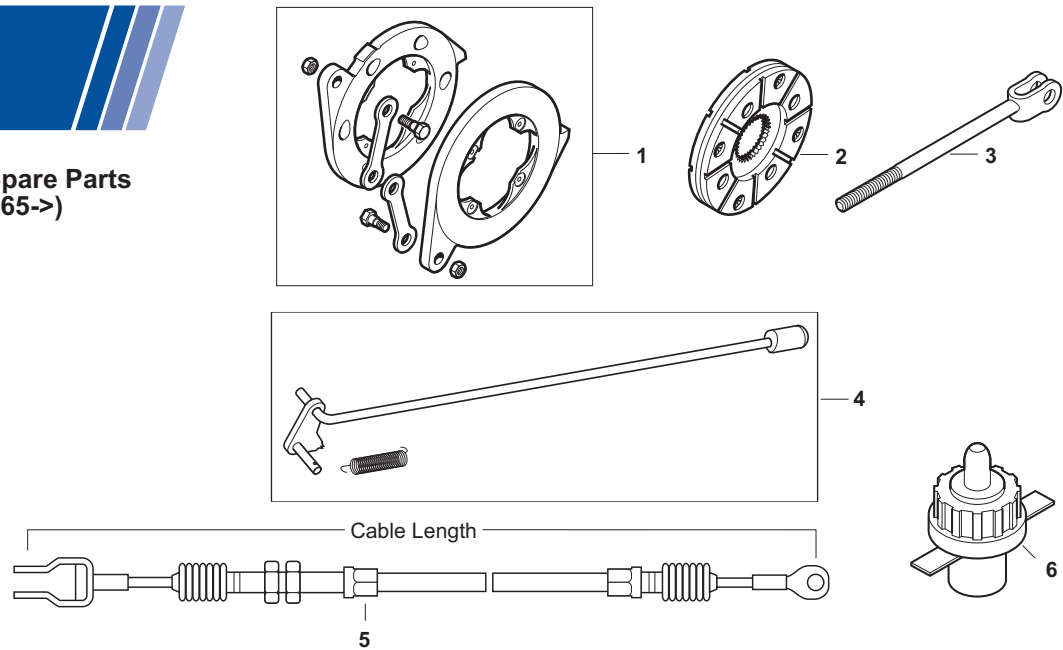
SPAREX No.	DESCRIPTION	EQUIVALENT	TRACTOR MODEL
1	S.65374 Seal - Actuator Rod	C5NN2N336A E7NN2N336A 85999093	4000, 5000, 7000, 3900, 4100, 4600, 5600, 5900, 6600, 6700, 7600, 7700, 2810, 2910, 3910, 4110, 4610, 5610, 5610S, 6610, 6610S, 6710, 6810, 7610, 7610S, 7710, 7810, 7810S, 7910, 8010, 8210, 3230, 3430, 3930, 4130, 4630, 4830, 5030, (5640, 6640, 7740, 7840, 8240, 8340, w/ 8x2 or 16x4 Trans), TS90, TS100, TS110, Ind. 250C, 260C, 335, 340, 340A, 340B, 345C, 345D, 3550, 420, 445, 445A, 445C, 445D, 455, 455C, 455D, 4400, 4500, 515, 532, 535, 540, 540A, 540B, 545, 545A, 545C, 545D, 550, 555, 555A, 555B, 555C, 555D, 575D, 650, 6500, 655, 655A, 655C, 655D, 675D, 750, 7500, 755, 755A, 755B
2	S.66229 Rod - Actuator	C7NN2466B	(5900 5/68->), 7000, (5900 ->4/89), 5600, 6600, 6700, 7600, 7700, (5610, 6610, 6710, 6810, 7610, 7710 ->4/89), (7810 less Cab), 7910, 8210
3	S.66191 Rod - Actuator	E8NN2466DA	(5900 5/89->), (5610, 6610, 6710, 6810, 7610, 7610, 8010 5/89->), 5610S, 6610S, 7610S, 7810S, 5640, 6640, 7740, 7840, 8240, 8340, TS90, TS100, TS110
4	S.60410 Spring - Pedal Return (except Rowcrop)	C5NN2472H	5000, 7000, 5600, 5900, 6600, 7600, 5610, 5610S, 6610, 6610S, 6810, 7610, 7610S, 7810, 8010
4	S.60429 Spring - Pedal Return	E1NN2472BA	Ind. 334, 340, 340A, 340B, 540, 540A, 540B, 545, 545A
5	S.65870 Seal - Cross Shaft	D9NN2N289AA	4000, 5000, 7000, 3900, 4100, 4600, 5600, 5900, 6600, 6700, 7600, 7700, 2810, 2910, 3910, 4110, 4610, 5610, 5610S, 6610, 6610S, 6710, 6810, 7610, 7610S, 7710, 7810, 7810S, 7910, 8010, 8210, 3230, 3430, 3930, 4130, 4630, 4830, 5030, (5640, 6640, 7740, 7840, 8240, 8340, w/ 8x2 or 16x4 Trans), TS90, TS100, TS110, Ind. 250C, 260C, 335, 340, 340A, 340B, 345C, 345D, 3550, 420, 445, 445A, 445C, 445D, 455, 455C, 455D, 4400, 4500, 515, 532, 535, 540, 540A, 540B, 545, 545A, 545C, 545D, 550, 555, 555A, 555B, 555C, 555D, 575D, 650, 6500, 655, 655A, 655C, 655D, 675D, 750, 7500, 755, 755A, 755B
6	S.65375 Dust Seal - Cross Shaft - Felt	D2NN2N171A	Same as Above
7	S.61475 Bushing - Cross Shaft (1 1/4" x 1 1/8" x 1")	C5NN2N477A	Same as Above

These parts are Sparex parts and are not manufactured by the Original Equipment Manufacturer. Original Manufacturers' names, part numbers and descriptions are quoted for reference purposes only and are not intended to indicate or suggest that our replacement parts are made by the OEM.

# F6

Sparex Replacement Spare Parts  
for Ford/New Holland (65->)

## Hand Brakes and Related Components



SPAREX No.	DESCRIPTION	EQUIVALENT	TRACTOR MODEL
1	S.66150 Actuator - Hand Brake	C5NN2N623B	(2000, 3000, 4000 65->UK), (2000, 3000, 4000 1/72->US), (5000 65->), 2600, 3600, 3900, 4100, 4600, 5600, 5900, 6600, 6700, 7600, 7700, 2310, 2610, 2810, 2910, 3610, 3910, 4110, 4610, 5610, 6610, 7610, 7710, Ind. 230A, 231, 233, 234, 333, 335, 340, 340A, 340B, 3500, 3550, 420, 4400, 4500, 445, 445A, 450, 515, 531, 532, 540, 540A, 540B, 545, 545A, 5500, 5550
2	S.65777 Disc - Hand Brake (4" Dia) (1 1/4" - 23 Spline)	E9NN2N625AB D5NN2N625A C5NN2N625B	Same as Above
3	S.43172 Rod - Actuator	C7NN2466A	(2000, 3000, 4000, 5000 65-9/67), Ind. (3400, 3500, 3550, 4400, 4500 65-9/67)
4	S.66303 Repair Kit - Hand Brake (Contains: Rod, Knob, Pawl, Spring)	E0A2744 C5NN2N615B C7NN2N616D C7NN2N606B	(2000, 3000 1/67->UK), (5000, 7000 6/68->UK), (2600, 3600, 5600, 6600, 7600, 5610, 6610, 6810, 7610, UK), (7810 less Cab), 5610S, 6610S, 7610S, 7810S
5	S.66255 Cable - Hand Brake (72.3" Long) Single Cable System	D6NN2853B	2600, 3600, 4100, 4600, 5600, 6600, 6700, 7600, 7700, (2310, 2610, 2810, 2910, 3610, 3910, 4110, 4610 w/ Cab 1/81-12/82), (6710, 7710, UK w/ Cab), 7810, 7910, 8210, Ind. (230A w/ Cab 81-12/82), 233, (234 w/ Cab 81-12/82), 333, (334, 335, 530A w/ Cab 81-12/82), 531
5	S.66256 Cable - Hand Brake (26.7" Long) Dual Cable System - LH	E1NN2853BC	(2310, 2610, 2810, 2910, 3610, 3910, 4110, 4610 w/ Cab), 5900, 5610, 6610, 6710, 6810, 7610, 7710, (7810, 7910, 8210 w/ Cab), Ind. (230A, 234, 334, 335, 530A, w/ Cab)
5	S.66254 Cable - Hand Brake (75.3" Long) Dual Cable System - RH	E1NN2853AB	Same as Above
5	S.66257 Cable - Hand Brake Single Cable System	D4NN2853D	Ind. 550, 555, 555A, 555B, 655, 655A
5	S.66258 Cable - Hand Brake (41.4" Long) Dual Cable System	E3NN2853CB	Ind. 445, 555, 555A, 555B, 655, 655A
6	S.62340 Switch - Handbrake	5131017	4835, 5635, 6635, 7635, Ind. 555E, 575E, 655E, 675E