

Page No.

1

**Gearbox (6 Speed - Dexta, Super Dexta)
and Related Components**

2

**Transmission
and Related Components**

3

PTO and Related Components

**Transmission
and P.T.O.
Components**

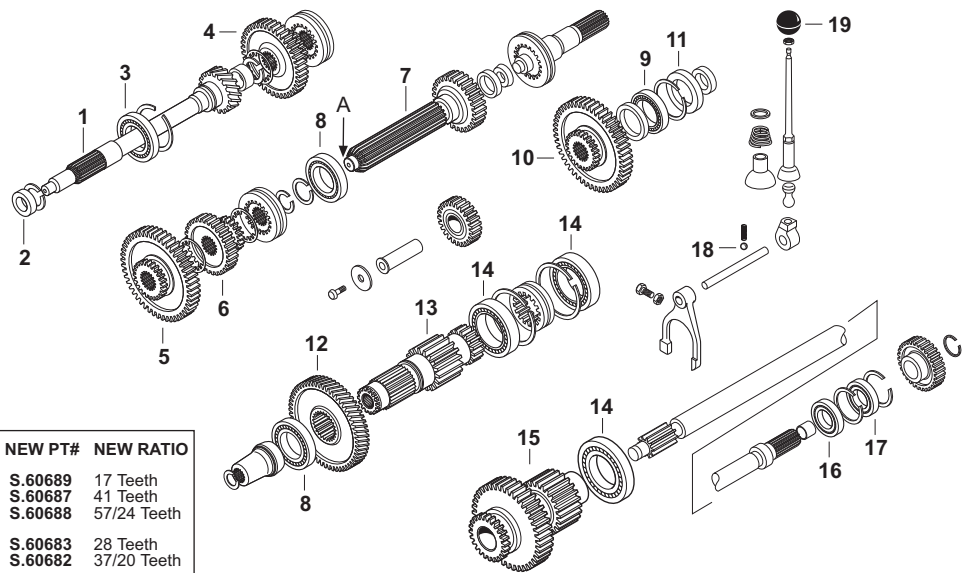
Please see Index for alternative O.E. part numbers.

These parts are Sparex parts and are not manufactured by the Original Equipment Manufacturer.
Original Equipment Manufacturers names, part numbers and descriptions are quoted for reference purposes only.

F5

Spare Parts for FORD Tractors Built 1939 to 1964

Gearbox Components (6 Speed - Dexta)



SET	DESCRIPTION	OLD RATIO	NEW PT#	NEW RATIO
1, 4, 12	1 - Main Drive Shaft	19 Teeth	S.60689	17 Teeth
	4 - 2nd/5th Gear	37 Teeth	S.60687	41 Teeth
	12 - Countershaft Gear	55/28 Teeth	S.60688	57/24 Teeth
7, 15	7 - Main Shaft	29 Teeth	S.60683	28 Teeth
	15 - 2nd Countershaft	36/20 Teeth	S.60682	37/20 Teeth

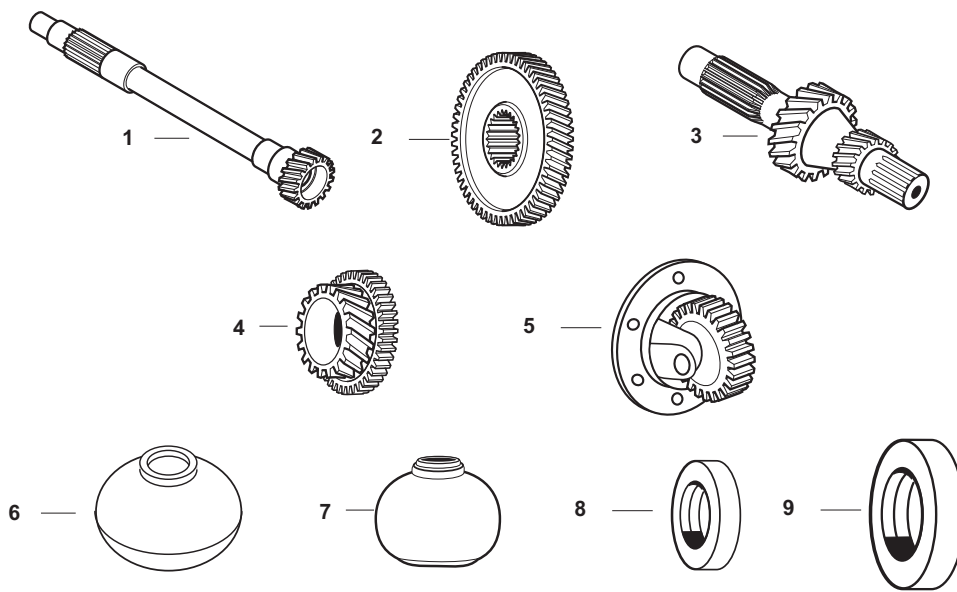
* Gear Replacement: If replacing gears on tractors before SN 957E63953, August 1960, the entire "New Ratio Set" must be used. The chart shown identifies the available Sparex parts that are required to replace the gears in question.

SPAREX No.	DESCRIPTION	EQUIVALENT	TRACTOR MODEL
1*	S.60689 Main Input Shaft (17 Teeth - Later Gear Ratio)	957E7017C	Dexta, Super Dexta
2	S.65674 Main Input Shaft Seal (51mm x 27.6mm x 12.4mm)	D9NN7R510BA	Dexta, Super Dexta
3	S.18108 Main Input Shaft Bearing (#6308)	N115069A	Dexta, Super Dexta
4*	S.60687 2nd & 5th Gear - 41 Teeth	957E7101B	Dexta, Super Dexta
5	S.66050 1st & 3rd Gear - 49 Teeth	957E7100C	Dexta, Super Dexta
6	S.66051 Reverse Idler Gear - 30 Teeth	957E7144C	Dexta, Super Dexta
7*	S.60684 Mainshaft - 28 Teeth (A=1 1/8")	957E7061E	Dexta, Super Dexta
7*	S.60683 Mainshaft - 28 Teeth (A=1")	960E7061A	Super Dexta (4/62-64)
8	S.18060 Mainshaft Bearing (#6210)	N115069B	Dexta, Super Dexta
9	S.18466 Bearing (#RL512)	E53GA9	Dexta, Super Dexta
10	S.66053 Output Shaft Gear - Secondary	E49GA9	Dexta, Super Dexta
11	S.65680 Output Shaft Seal (83mm x 46mm x 14.8mm)	E42GA9	Dexta, Super Dexta
12*	S.60688 Countershaft Gear (24 T/57 T - 26 Internal Splines)	C5NN7113G	Dexta, Super Dexta
13	S.66055 Main Countershaft	957E7111D	Dexta, Super Dexta
14	S.18061 Bearing (#6211)	E1ADDN7025A	Dexta, Super Dexta
15*	S.60682 Secondary Countershaft Gear - 37/20 Teeth	E418GA9	Dexta, Super Dexta
16	S.65682 PTO Countershaft Seal (73.3mm x 41.9mm x 15.9mm)	E62GE9	Dexta, Super Dexta
17	S.18057 Bearing (#6207)	E75GE9	Dexta, Super Dexta
18	S.65789 3/8" Steel Ball	353075S	Dexta, Super Dexta
19	S.00640 Gearstick Knob (5/16")	957E7213A C5NN7213A	Dexta, Super Dexta

Please see Index for alternative O.E. part numbers.

These parts are Sparex parts and are not manufactured by the Original Equipment Manufacturer. Original Equipment Manufacturer names, part numbers and descriptions are quoted for reference purposes only.





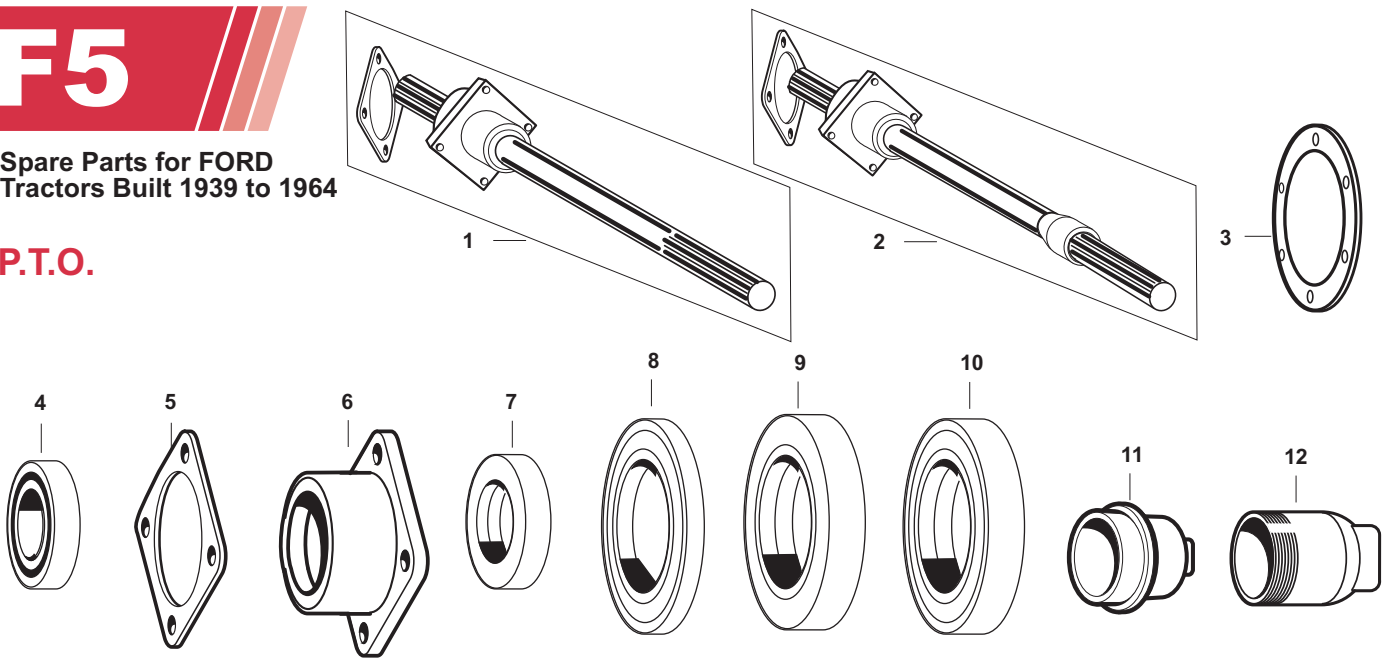
Transmission

SPAREX No.	DESCRIPTION	EQUIVALENT	TRACTOR MODEL
1	S.60584 Input Shaft - 4 Speed (15 Spline)	311203	601, 701, 801, 901, 2000, 4000
2	S.61597 2nd Gear - Main Shaft (4 Speed Trans)	B9NN7A381B	8N, NAA, Jubilee, 600, 700, 800, 900, 601, 701, 801, 901, 2000, 4000
3	S.61117 Countershaft	8N7111	8N
4	S.61123 2nd Gear - Countershaft (4 Speed Trans - 17 Tooth)	B9NN7114A	8N, NAA, Jubilee, 600, 700, 800, 900, 601, 701, 801, 901, 2000, 4000
5	S.61575 Reverse Idler Assembly (5 Speed Trans)	NDA7723C NDA7140A NDA7141A	600, 700, 800, 900, 601, 701, 801, 901, 2000, 4000
6	S.40821 Gear Shift Boot - 3 Speed	C5NN7277C	9N, 2N
7	S.61594 Gear Shift Boot (4 Speed Trans)	C5NN7277C	8N, NAA, Jubilee, 600, 700, 800, 900, 601, 701, 801, 901, 2000, 4000
8	S.65676 Input Shaft Seal (42mm x 33mm x 5.9mm)	E1ADDN7052A	Fordson Major, Power Major, Super Major
9	S.65679 Output Shaft Seal (111.5mm x 82mm x 12.3mm)	E27N7082A	Fordson Major, Power Major, Super Major
10	S.60340 Transmission Filler Plug, Drain Plug - 3 & 4 Speed Trans	9N7010	9N, 2N, 8N, NAA, Jubilee, 600, 700, 800, 900, 601, 701, 801, 901, 2000, 4000
11	S.61323 Gasket - Filler & Drain Plug	8N7011	9N, 2N, 8N, NAA, Jubilee, 600, 700, 800, 900, 601, 701, 801, 901, 2000, 4000
12	S.66422 Pin - Gear Shift	9N7221B	9N, 2N, 8N, NAA, Jubilee, 600, 700, 800, 900, 601, 701, 801, 901, 2000, 4000 (w/ 3 & 4 Speed Trans)

Please see Index for alternative O.E. part numbers.

These parts are Sparex parts and are not manufactured by the Original Equipment Manufacturer. Original Equipment Manufacturer names, part numbers and descriptions are quoted for reference purposes only.

P.T.O.



SPAREX No.	DESCRIPTION	EQUIVALENT	TRACTOR MODEL
1	S.00280 PTO Shaft Assembly w/ Gasket (1 3/8" Conversion)	9N70038	9N, 2N, 8N
2	S.60626 PTO Shaft Assembly w/ Gasket (1 3/8" - 30 3/16")	NAA70038	NAA, Jubilee
2	S.60625 PTO Shaft Assembly w/ Gasket (1 3/8" - 32 11/16")	NCA70038	600, 700, 800, 900 (55-57)
3	S.03352 Gasket - PTO Shifter Plate	9N4131	9N, 2N, 8N, NAA, Jubilee, 600, 700, 800, 900, 601, 701, 801, 901, 2000, 4000
4	S.18056 Bearing (1 1/8" Shaft) Brg# 6206	9N715C	9N, 2N, 8N, NAA, Jubilee, 600, 700, 800, 900 (39-57)
4	S.18057 Bearing (1 3/8" Shaft) (Single Speed Only) Brg# 6207	E75GE9	601, 701, 801, 901, 2000, 4000
5	S.61322 Gasket	C5NN747A	9N, 2N, 8N, NAA, Jubilee, 600, 700, 800, 900, 601, 701, 801, 901, 2000, 4000
6	S.61835 Housing	310089	601, 701, 801, 901, 2000, 4000 (Except Select-O-Speed)
7	S.65359 Oil Seal - PTO Shaft	D9NN703BB	9N, 2N, (44-->), 8N, NAA, Jubilee, 600, 700, 800, 900, 601, 701, 801, 901, 2000, 4000, (Except Select-O-Speed w/ 2 Speed PTO S.00280, S.60625, S.60626)
7	S.65671 PTO Shaft Seal	957E703A	Dexta, Super Dexta
8	S.65707 PTO Output Shaft Seal - Std. PTO Single Lip Seal (2.125 x 3.5)	EIADKN7297B	Fordson Major, Power Major, Super Major
9	S.65681 PTO Output Shaft Seal - Std. PTO Double Lip Seal (2.125" x 3.5")	EIADKN7297A	Fordson Major, Power Major, Super Major
10	S.65670 Oil Seal - PTO Shaft Raised PTO	E27N7305A	Fordson Major, Power Major, Super Major
11	S.41310 Cap - w/ 1 1/8" PTO Shaft Only	2N726	9N, 2N, 8N, NAA, 600, 700, 800, 900
12	S.60456 Cap	310088	9N, 2N, 8N, NAA, Jubilee, 600, 700, 800, 900, 601, 701, 801, 901, 2000, 4000