

**Front Axle,  
Steering  
and Related  
Components**

Page No.

<b>1-2</b>	<b>Front Hubs, Rims and Related Components</b>
<b>3</b>	<b>Wheel Spindles and Related Components</b>
<b>4</b>	<b>Spindle Bushings and Related Components</b>
<b>5</b>	<b>Front Axle (4 Wheel Drive, Super 4, 6) and Related Components</b>
<b>6</b>	<b>Drag Links and Related Components</b>
<b>7</b>	<b>Steering Box (Double Arm) and Related Components</b>
<b>8</b>	<b>Steering Box (Single Arm, Fordson Major) and Related Components</b>
<b>9</b>	<b>Power Steering Pump and Cylinders</b>
<b>10</b>	<b>Add-on Power Steering Conversion Kit</b>

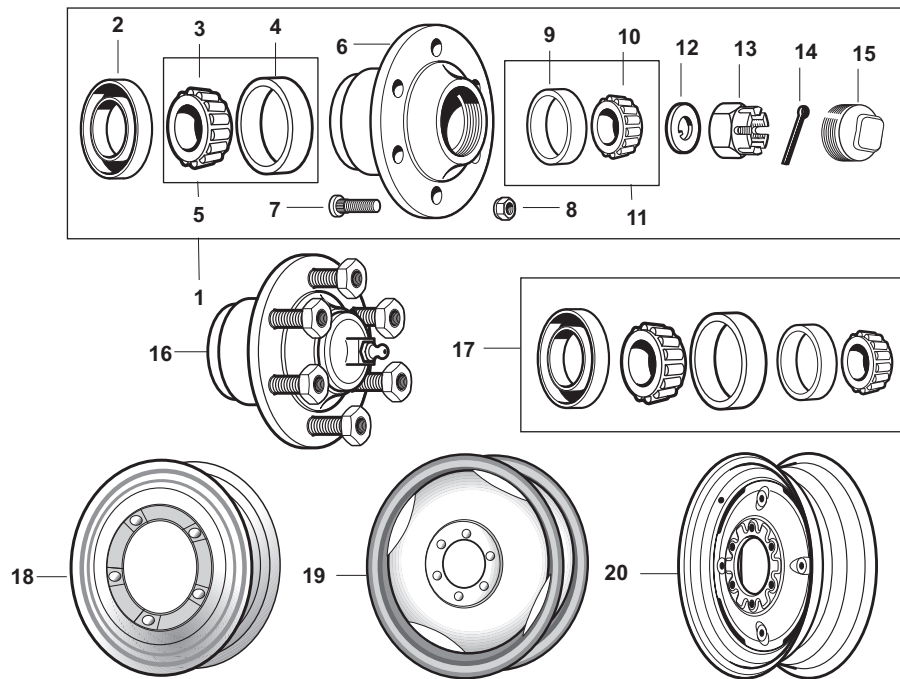
Please see Index for alternative O.E. part numbers.

These parts are Sparex parts and are not manufactured by the Original Equipment Manufacturer.  
Original Equipment Manufacturers names, part numbers and descriptions are quoted for reference purposes only.

# F2

Spare Parts for FORD  
Tractors Built 1939 to 1964

## Front Hubs, Rims and Related Components



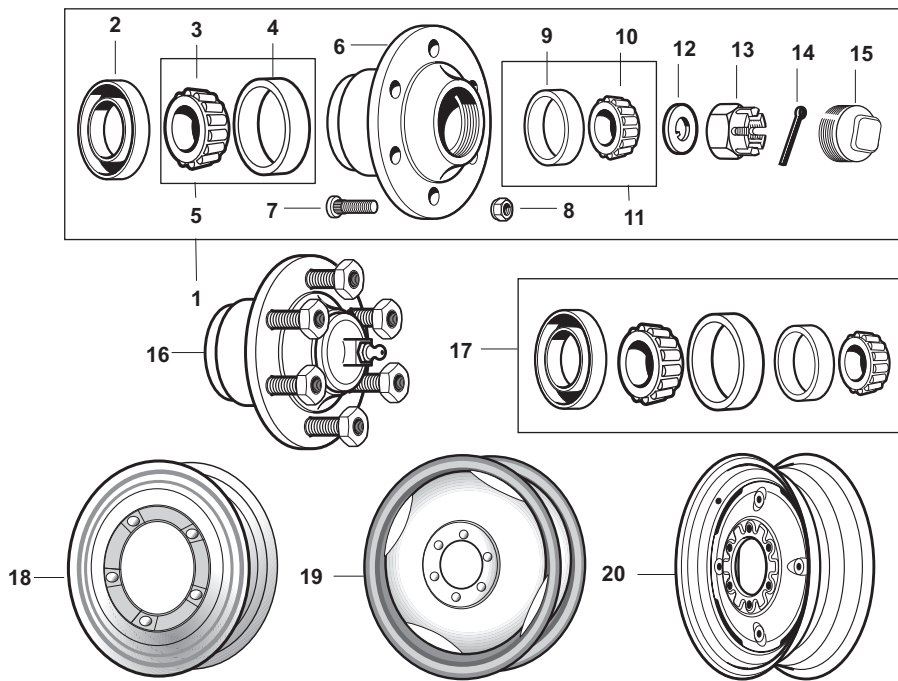
SPAREX No.	DESCRIPTION	EQUIVALENT	TRACTOR MODEL
1	<b>S.66898</b> Front Hub Kit (Includes 2-11)		<b>8N, NAA, Jubilee</b>
2	<b>S.60773</b> Seal	NCA1190A	<b>(9N, 2N, 8N, NAA, Jubilee, 600, 700, 800, 900, 601, 701, 801, 901, 2000, 4000 w/ Standard Duty Front End)</b>
2	<b>S.04791</b> Seal	957E1190A	<b>Dexta, Super Dexta</b>
2	<b>S.04233</b> Seal	310195	<b>651, 661, 851, 861, (1801 1958-&gt;), 2000, 4000 (Heavy Duty Front End)</b>
2	<b>S.65774</b> Seal	E27N1190B 1193	<b>Fordson Major, Power Major, Super Major</b>
3	<b>S.20539</b> Cone & Roller	B1201	<b>9N, 8N, 2N, NAA, Jubilee</b>
4	<b>S.20540</b> Cup	B1202	<b>9N, 8N, 2N, NAA, Jubilee</b>
5	<b>S.02967</b> Inner Bearing & Cup (Brg #15123/15245)	8A1201B 8A1202A	<b>(600, 700, 800, 900 -&gt;SN 137817)</b>
5	<b>S.02975</b> Inner Bearing & Cup (Brg #LM67010/LM67048)	D5NN1201A D5NN1202A	<b>(600, 700, 800, 900 SN 137818-&gt;), 601, 701, 801, 901, 2000, 4000 Dexta, Super Dexta</b>
5	<b>S.65775</b> Inner Bearing & Cup (Brg #352/355x)	E27N1201 E27N1202A	<b>Fordson Major, Fordson Power Major, Super Major</b>
6	<b>S.60466</b> Front Hub (BARE)	D5NN1104A	<b>8N, NAA, Jubilee</b>
7	<b>S.04948</b> Wheel Stud	C5NN1107F	<b>8N, NAA, Jubilee, 600, 700, 800, 900, 601, 701, 801, 901, 2000, 4000</b>
8	<b>S.05938</b> Wheel Nut	C5NN1012B	<b>8N, NAA, Jubilee, 600, 700, 800, 900, 601, 701, 801, 901, 2000, 4000</b>
9	<b>S.20542</b> Cup	B1217	<b>9N, 8N, 2N, NAA, Jubilee</b>
10	<b>S.20541</b> Cone & Roller	B1216	<b>9N, 8N, 2N, NAA, Jubilee</b>
11	<b>S.02968</b> Outer Bearing & Cup (Brg #09067/09195)	8A1216A 8A1217A	<b>(600, 700, 800, 900 -&gt;SN 137817)</b>
11	<b>S.02972</b> Outer Bearing & Cup (Brg #LM11910/LM11949)	D5NN1216A D5NN1217A	<b>(600, 700, 800, 900 SN 137818-&gt;), 601, 701, 801, 901, 2000, 4000 Dexta, Super Dexta</b>
11	<b>S.65776</b> Outer Bearing & Cup (Brg #14118/14283)	N1216 N1217	<b>Fordson Major, Power Major, Super Major</b>
12	<b>S.65090</b> Tab Washer	C5NN1N195A	<b>9N, 2N, 8N, NAA, Jubilee, 600, 700, 800, 900, 601, 701, 801, 901, 2000, 4000</b>
12	<b>S.11222</b> Tab Washer	957E1195	<b>Dexta, Super Dexta</b>

Please see Index for alternative O.E. part numbers.

These parts are Sparex parts and are not manufactured by the Original Equipment Manufacturer. Original Equipment Manufacturer names, part numbers and descriptions are quoted for reference purposes only.



**Front Hubs, Rims and Related Components**

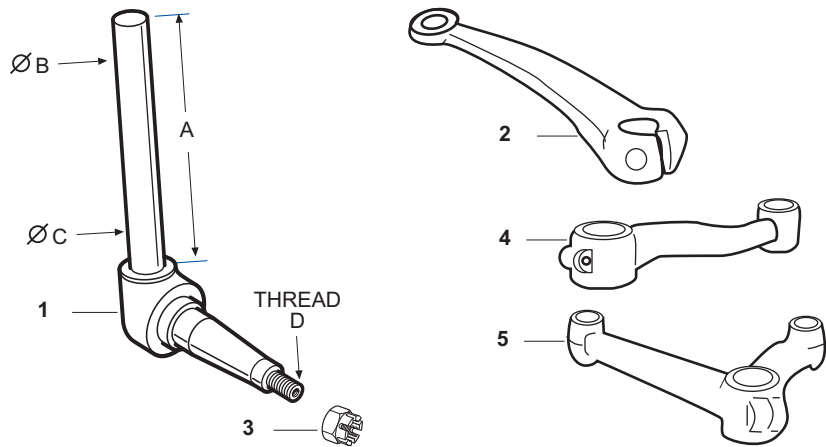


SPAREX No.	DESCRIPTION	EQUIVALENT	TRACTOR MODEL
13	<b>S.40213</b> Castle Nut (3/4" x 16 UNF)	387930S36	<b>9N, 2N, 8N, NAA, Jubilee, 600, 700, 800, 900, 601, 701, 801, 901, 2000, 4000, Dexta, Super Dexta</b>
14	<b>S.01501</b> Cotter Key (5/32" x 1 1/4")		
15	<b>S.65132</b> Hub Cap - Pressed Steel	2N1139B	<b>9N, 2N, 8N, NAA, Jubilee, 600, 700, 800, 900, 601, 701, 801, 901, 2000, 4000, Dexta, Super Dexta</b>
16	<b>S.65123</b> Front Hub (Includes Studs, Nuts & Cap)	C9NN1104F	<b>(600, 700, 800, 900 SN 137818-&gt;), 601, 701, 801, 901, 2000, 4000 Dexta, Super Dexta (Standard Duty Front End)</b>
16	<b>S.65124</b> Front Hub (Includes Studs, Nuts & Cap)	C9NN1104E	<b>(601, 801, 2000, 4000 w/ HD Front End)</b>
17	<b>S.20543</b> Wheel Bearing Kit	CBPN1200A	<b>9N, 2N, 8N, NAA, Jubilee</b>
17	<b>S.66878</b> Wheel Bearing Kit	CBPN1200B	<b>(600, 700, 800, 900 -&gt;SN 137817)</b>
17	<b>S.66879</b> Wheel Bearing Kit	CBPN1200C	<b>(601, 701, 801, 901, 2000, 4000 SN 137817-&gt; w/ Standard Front End)</b>
17	<b>S.04792</b> Wheel Bearing Kit		<b>Dexta, Super Dexta</b>
17	<b>S.65778</b> Wheel Bearing Kit		<b>Fordson, Major, Power Major, Super Major</b>
18	<b>S.60503</b> Rim (3.00 x 19)	9N1015A	<b>9N, 2N</b>
19	<b>S.60504</b> Rim (3.00 x 19)	C5NN1015A	<b>8N</b>
20	<b>S.40286</b> Front Rim (4.50 x 16)	E6NN1007LA	<b>8N, NAA, Jubilee, 600, 700, 800, 900, 601, 701, 801, 901, 2000, 4000</b>
20	<b>S.40287</b> Front Rim (5.50 x 16)	E6NN1007BA	<b>Fordson Major, Power Major, Super Major, 600, 800, 601, 801, 2000, 4000</b>

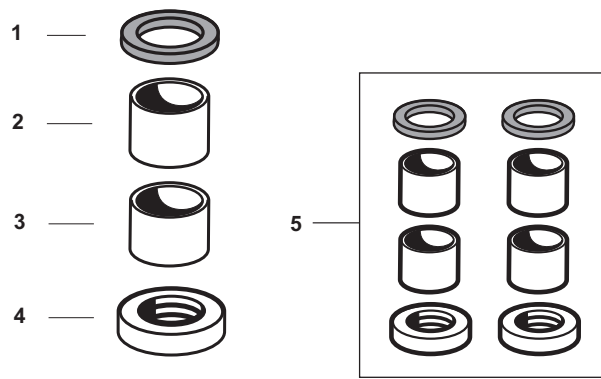
Please see Index for alternative O.E. part numbers.

These parts are Sparex parts and are not manufactured by the Original Equipment Manufacturer. Original Equipment Manufacturer names, part numbers and descriptions are quoted for reference purposes only.

## Wheel Spindles and Related Parts



SPAREX No.	DESCRIPTION	EQUIVALENT	TRACTOR MODEL
1	<b>S.61380</b> Spindle - LH/RH (No Keyway - Tapered pin)	9N3105	(9N Early with Tapered Locking Pin)
1	<b>S.16002</b> Spindle - LH (A=11.03", B=1.25", C=1.25", D=.75")	86508994 2N3106	9N, 2N
1	<b>S.16003</b> Spindle - RH (A=11.03", B=1.25", C=1.25", D=.75")	86508993 2N3105	9N, 2N
1	<b>S.16006</b> Spindle - LH (A=10.69", B=1.25", C=1.25", D=.75")	F3NN3106AA 8N3106B	8N, NAA, Jubilee
1	<b>S.16007</b> Spindle - RH (A=10.69", B=1.25", C=1.25", D=.75")	F3NN3105AA 8N3105B	8N, NAA, Jubilee
1	<b>S.16004</b> Spindle - LH (A=10.75", B=1.25", C=1.5", D=.75")	F2NN3106BA NCA3106B	600, 800, 601, 801, 2000, 4000, Dexta, Super Dexta (Standard Duty Front End)
1	<b>S.16005</b> Spindle - RH (A=10.75", B=1.25", C=1.5", D=.75")	F2NN3105BA NCA3105B	600, 800, 601, 801, 2000, 4000, Dexta, Super Dexta (Standard Duty Front End)
1	<b>S.65750</b> Spindle - LH (A=7.5", B=1.5", C=1.5", D=.87")	E1ADKN3108	Fordson Major, Power Major, Super Major
1	<b>S.65749</b> Spindle - RH (A=7.5", B=1.5", C=1.5", D=.87")	E1ADKN3107	Fordson Major, Power Major, Super Major
1	<b>S.65753</b> Spindle - LH (Hardened) (A=7.75", B=1.23", C=1.34", D=.75")	F2NN3106CA C1NN3106A	(2110, 4110 LCG 1961-1964)
1	<b>S.65754</b> Spindle - RH (Hardened) (A=7.75", B=1.23", C=1.34", D=.75")	F2NN3105CA C1NN3105A	(2110, 4110 LCG 1961-1964)
2	<b>S.61832</b> Spindle Arm	310799	(8N SN 451958->), NAA, Jubilee, 600, 800, 601, 801, 2000, 4000, Dexta, Super Dexta
3	<b>S.40213</b> Castle Nut (3/4" x 16 UNF)	387930S36	9N, 2N, 8N, NAA, Jubilee, 600, 700, 800, 900, 601, 701, 801, 901, 2000, 4000, Dexta, Super Dexta
4	<b>S.61474</b> Steering Arm - RH	E1ADKN3132	Fordson Major, Power Major, Super Major
5	<b>S.61473</b> Steering Arm - LH	E1ADKN3133B	Fordson Major, Power Major, Super Major

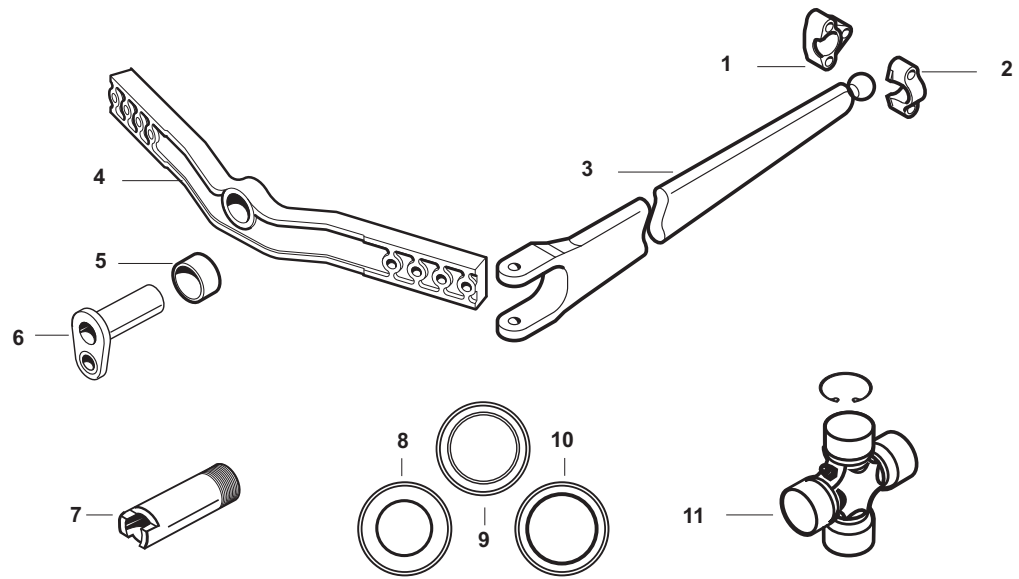


SPAREX No.	DESCRIPTION	EQUIVALENT	TRACTOR MODEL
1	<b>S.65140</b> Upper Spindle Seal	C5NN3125A	<b>8N, NAA, Jubilee, 600, 800, 601, 801, 2000, 4000</b>
1	<b>S.65139</b> Upper Spindle Seal	957E3121A	<b>Dexta, Super Dexta</b>
1	<b>S.65738</b> Upper Spindle Seal	E1ADDN3121	<b>Fordson Major, Power Major, Super Major</b>
2	<b>S.65116</b> Spindle Bushing - Top	2N3109	<b>(9N, 2N, 8N, NAA, Jubilee, 600, 800, 601, 801, 2000, 4000, Dexta, Super Dexta Standard Front End Only)</b>
2	<b>S.65739</b> Spindle Bushing - Top	C5NN3N654B	<b>Fordson Major, Power Major, Super Major</b>
3	<b>S.65116</b> Spindle Bushing - Bottom	2N3109	<b>9N, 2N, 8N, NAA, Jubilee</b>
3	<b>S.65117</b> Spindle Bushing - Bottom	NCA3110A	<b>(600, 800, 601, 801, 2000, 4000, Dexta, Super Dexta Standard Front End Only)</b>
3	<b>S.65739</b> Spindle Bushing - Bottom	C5NN3N654B	<b>Fordson Major, Power Major, Super Major</b>
4	<b>S.65120</b> Thrust Bearing	C0NN3123B	<b>(9N, 2N, 8N, NAA, Jubilee, 600, 800, 601, 801, 2000, 4000, Dexta, Super Dexta Standard Duty Front End)</b>
4	<b>S.65121</b> Thrust Bearing	C5NN3A299A	<b>(601, 801, 2000, 4000 Heavy Duty Front End)</b>
4	<b>S.65122</b> Thrust Bearing	C0NN3A299A	<b>(2000, 4000 Ind. 1961-&gt;)</b>
4	<b>S.65740</b> Thrust Bearing	E27N3123B	<b>Fordson Major, Power Major, Super Major</b>
5	<b>S.65986</b> Spindle Repair Kit (Will fix both spindles)		<b>9N, 2N, 8N, NAA, Jubilee</b>
5	<b>S.65107</b> Spindle Repair Kit (Will fix both spindles)		<b>(600, 800, 601, 801, 2000, 4000 Standard Front End)</b>
5	<b>S.65106</b> Spindle Repair Kit (Will fix both spindles)		<b>Dexta, Super Dexta</b>
5	<b>S.65737</b> Spindle Repair Kit (Will fix both spindles)		<b>Fordson Major, Power Major, Super Major</b>

Please see Index for alternative O.E. part numbers.

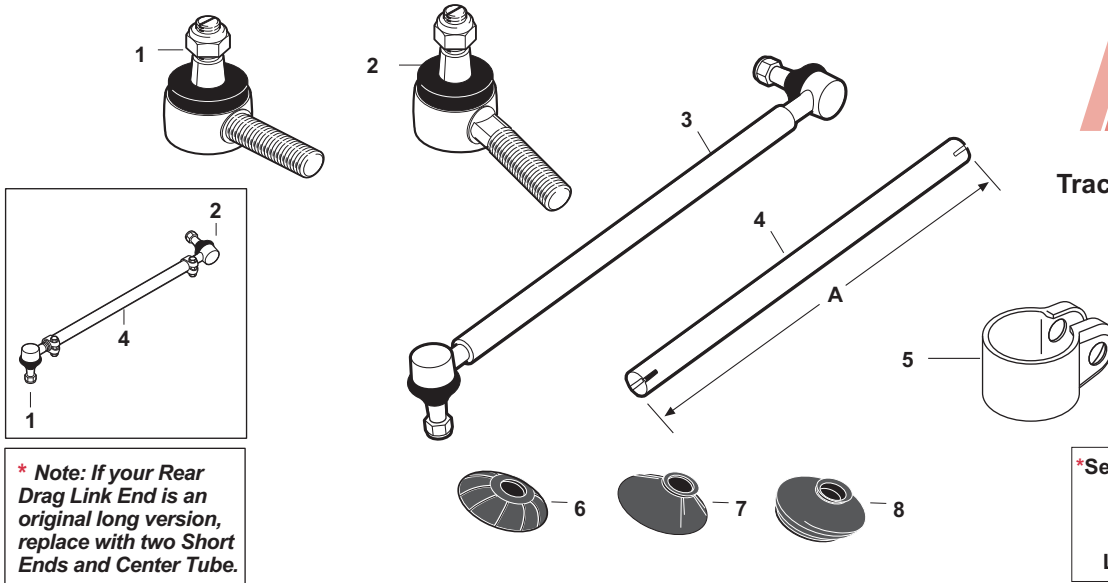
These parts are Sparex parts and are not manufactured by the Original Equipment Manufacturer. Original Equipment Manufacturer names, part numbers and descriptions are quoted for reference purposes only.

## Front Axle and Related Parts (4 Wheel Drive, Super 4,6)



SPAREX No.	DESCRIPTION	EQUIVALENT	TRACTOR MODEL
1	S.60458 Radius Rod Socket	E0NN3N442BA	9N, 2N, 8N, NAA, Jubilee, 600, 800, 601, 801, 2000, 4000, Dexta, Super Dexta
2	S.60459 Radius Rod Cap	E0NN3N406BA	8N, NAA, Jubilee, 600, 800, 601, 801, 2000, 4000, Dexta, Super Dexta
3	S.60484 Radius Rod (Manual or Power Steering)	310034/ 310035	NAA, Jubilee, 600, 800, 601, 801, 2000, 4000
4	S.66863 Center Axle	D9NN3010EA NAA3010B2	9N, 2N, 8N, NAA, Jubilee, 600, 800, 601, 801, 2000, 4000, Dexta, Super Dexta (Standard Front End)
5	S.42621 Center Axle Bushing	2N3039	9N, 2N, 8N, NAA, Jubilee, 600, 800, (601, 801, 2000, 4000 Standard Front End)
6	S.61141 Axle Pin	NAA3126B	9N, 2N, 8N, NAA, Jubilee
7	S.61138 Axle Pin - Threaded	NCA3127A	(600, 800, 601, 801, 2000, 4000 Standard Front End)
8	S.65693 Front Axle Seal - 4 WD	CFT19202	Super 4, Super 5
9	S.65692 Front Axle Seal - 4 WD	CFT19223	Super 4, Super 6
10	S.65694 Front Axle Seal - 4 WD	CFT19205	Super 4, Super 6
11	S.65170 Universal Kit (4.52" x 1.55")	CFT23704	Super 4, Super 6

## Drag Links



**\* Note: If your Rear Drag Link End is an original long version, replace with two Short Ends and Center Tube.**

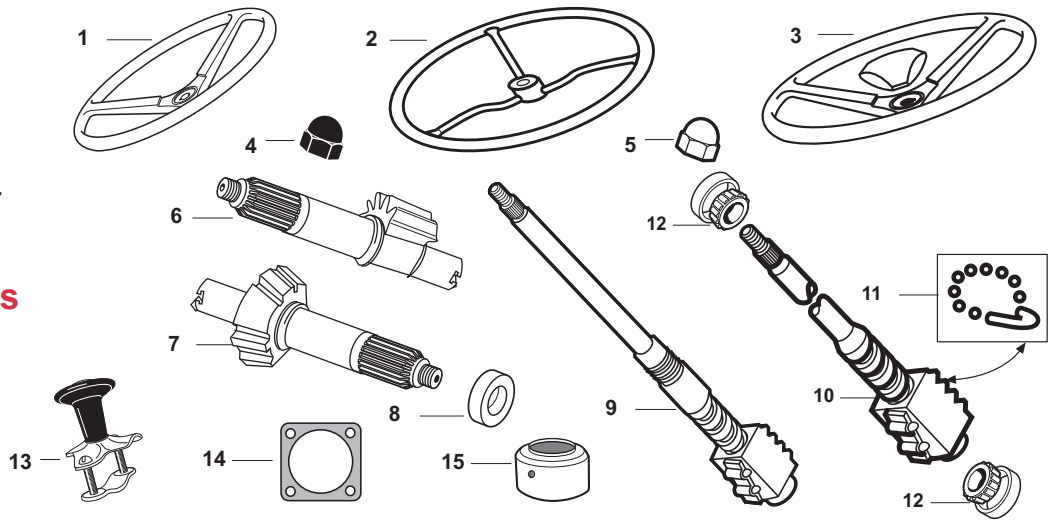


SPAREX No.	DESCRIPTION	EQUIVALENT	TRACTOR MODEL
1	<b>S.40163</b> Front Drag Link End (11/16" UNF - RH Threads)	9N3270B	(9N, 2N If used with original 1 piece Drag Link)
1	<b>S.65044</b> Front Drag Link End (11/16" UNF - LH Threads)	957E3290B	(9N, 2N, 8N, Used with New Style 3 piece Drag Link), NAA, Jubilee, 600, 800, 601, 801, 2000, 4000, Dexta, Super Dexta (Manual Steering)
1	<b>S.61137</b> Front Drag Link End (3/4" UNF - LH Threads)	309523	(600, 800, 601, 801 ->SN 78837 w/ Power Steering)
1	<b>S.61139</b> Front Drag Link End (13/16" UNF - LH Threads)	309591	(601, 801, 2000, 4000 SN 78837-> w/ Power Steering)
1	<b>S.66003</b> Front Drag Link End (1" UNF - LH Threads)	E3NN3308BA	(4000 H.D. Industrial 1/1963-1964)
2*	<b>S.61119</b> Rear Drag Link End (11/16" UNF - RH Threads)	NAA33271A	(9N, 2N, 8N, Used with New Style 3 piece Drag Link), NAA, Jubilee, 600, 800, 601, 801, 2000, 4000 (Manual Steering)
2	<b>S.65050</b> Rear Drag Link End (11/16" UNF - RH Threads)	957E3307B	Dexta, Super Dexta
3	<b>S.65041</b> Drag Link Assembly	E1ADDN3304C	Fordson Major, Power Major, Super Major
4**	<b>S.61413</b> Drag Link Tube (A = 34.5" Long) 1 end RH Thread, 1 end LH Thread	8N33315	9N, 2N, (RH for Early 8N), (LH for Late 8N), Dexta, Super Dexta
4**	<b>S.61414</b> Drag Link Tube (A = 32.8" Long) 1 end RH Thread, 1 end LH Thread	8N3314D	(LH for Early 8N), (RH for Late 8N)
4	<b>S.61411</b> Drag Link Tube - RH (A = 36.125" Long) 1 end RH Thread, 1 end LH Thread	NAA3314B	NAA, Jubilee, 600, 800, 601, 801, 2000, 4000
4	<b>S.61412</b> Drag Link Tube - LH (A = 38.5" Long) 1 end RH Thread, 1 end LH Thread	NAA33315A	NAA, Jubilee, 600, 800, 601, 801, 2000, 4000
5	<b>S.63372</b> Drag Link Tube Clamp (7/8")	8N3287	9N, 2N, 8N, NAA, Jubilee, 600, 800, 601, 801, 2000, 4000
5	<b>S.63373</b> Drag Link Tube Clamp (1 1/16")		
5	<b>S.63374</b> Drag Link Tube Clamp (1 3/16")		
6	<b>S.40191</b> Universal Tie Rod Boots (1 13/16" x 5/8" x 5/8")		
7	<b>S.40192</b> Universal Tie Rod Boots (1 15/16" x 3/4" x 3/4")		
8	<b>S.40193</b> Universal Tie Rod Boots (1 3/8" x 1" x 1/2")		

Please see Index for alternative O.E. part numbers.

These parts are Sparex parts and are not manufactured by the Original Equipment Manufacturer. Original Equipment Manufacturer names, part numbers and descriptions are quoted for reference purposes only.

## Steering Box and Related Components (Double Arm)

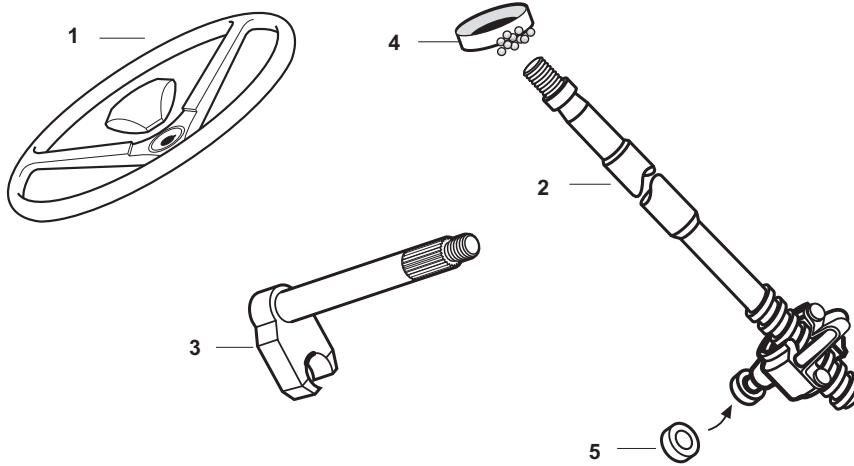


**\*\*If Sectors do NOT have 5 & 7 teeth, must be replaced as pair**

SPAREX No.	DESCRIPTION	EQUIVALENT	TRACTOR MODEL
1	S.41486 Steering Wheel - Keyed (Economy) Plastic	E0NN3600AA	9N, 2N
1	S.60739 Steering Wheel - 36 Splines (Economy) Plastic	D6NN3600	8N, NAA, Jubilee, 600, 700, 800, 900, 601, 701, 801, 901, 2000, 4000
2	S.61373 Steering Wheel - Keyed (Steel Spokes)	E0NN3600AA	9N, 2N
2	S.61372 Steering Wheel - 36 Splines (Steel Spokes)	D6NN3600	8N, NAA, Jubilee, 600, 700, 800, 900, 601, 701, 801, 901, 2000, 4000
3	S.60636 Steering Wheel - 48 Splines (1 1/4")	957E3600	Dexta, Super Dexta
4	S.43044 Steering Wheel Nut - Black (5/8" UNF)	351103S8	9N, 2N
4	S.61962 Steering Wheel Nut - Black	359295S7	8N, NAA, Jubilee, 600, 700, 800, 900, 601, 701, 801, 901, 2000, 4000
5	S.40290 Steering Wheel Nut - Chrome (5/8" UNF)	351103S8	9N, 2N
5	S.61963 Steering Wheel Nut - Chrome	359295S7	8N, NAA, Jubilee, 600, 700, 800, 900, 601, 701, 801, 901, 2000, 4000
6*	S.61098 Sector Shaft (Single Gear) 5 Tooth**	251293	8N (Late Style), NAA, Jubilee, 600, 800, 601, 801, 2000, 4000
7*	S.61099 Sector Shaft (Double Gear) 7 Tooth**	251294	8N (Late Style), NAA, Jubilee, 600, 800, 601, 801, 2000, 4000
8*	S.65375 Felt Seal - Sector Shaft	8N3586	8N (Late Style), NAA, Jubilee, 600, 800, 601, 801, 2000, 4000
9	S.53163 Shaft & Nut Assy - Power Steering	310859	600, 800, 601, 801, 2000, 4000
10*	S.61417 Shaft and Nut Assembly (20 1/8")	8N3575A	(8N Early Style Gear Box - 4 Bolts in Side Plate - See Picture)
10*	S.61118 Shaft and Nut Assembly (20 1/8")	8N3575B	(8N Late Style Gear Box - 2 Bolts in Adjuster Plate - See Picture)
10	S.61111 Shaft and Nut Assembly (22 1/2")	NAA3575C	NAA, Jubilee
10	S.61116 Shaft and Nut Assembly (23 1/2")	NCA3575A	600, 800, 601, 801, 2000, 4000 (Not Rowcrop Models - Manual Steering)
11	S.61862 Ball and Bracket Kit		Steering Shaft (S.61118, S.61111, S.61116)
12*	S.65160 Bearing and Cup Assembly	C5NN3N615A C5NN3552A	8N (Late Style), NAA, Jubilee, 600, 800, 601, 801, 2000, 4000
13	S.60918 Black Ball Bearing Wheel Spinner		Most Standard Size Steering Wheels
13	S.60919 Red Ball Bearing Wheel Spinner		Most Standard Size Steering Wheels
13	S.60920 Blue Ball Bearing Wheel Spinner		Most Standard Size Steering Wheels
13	S.52092 Aluminum Ball Bearing Wheel Spinner		Most Standard Size Steering Wheels
13	S.52091 Red Wooden Wheel Spinner		Most Standard Size Steering Wheels
14	S.61623 Shim Kit (2 x .005", 2 x .010", 2 x .020")		8N (w/ 2 Bolt Adjuster Covers), NAA, Jubilee, 600, 601, 800, 801, 2000, 4000 (Manual Steering)
15	S.66814 Steering Column Cover w/ Hole for Grease Fitting - Chrome	9N3669	9N, 2N
15	S.66815 Steering Column Cover w/ Hole for Grease Fitting - Painted	9N3669	9N, 2N

Mix and Match any 12 wheelspinners and receive a FREE display Box.

## Steering Box and Related Components (Single Arm, Fordson Major)



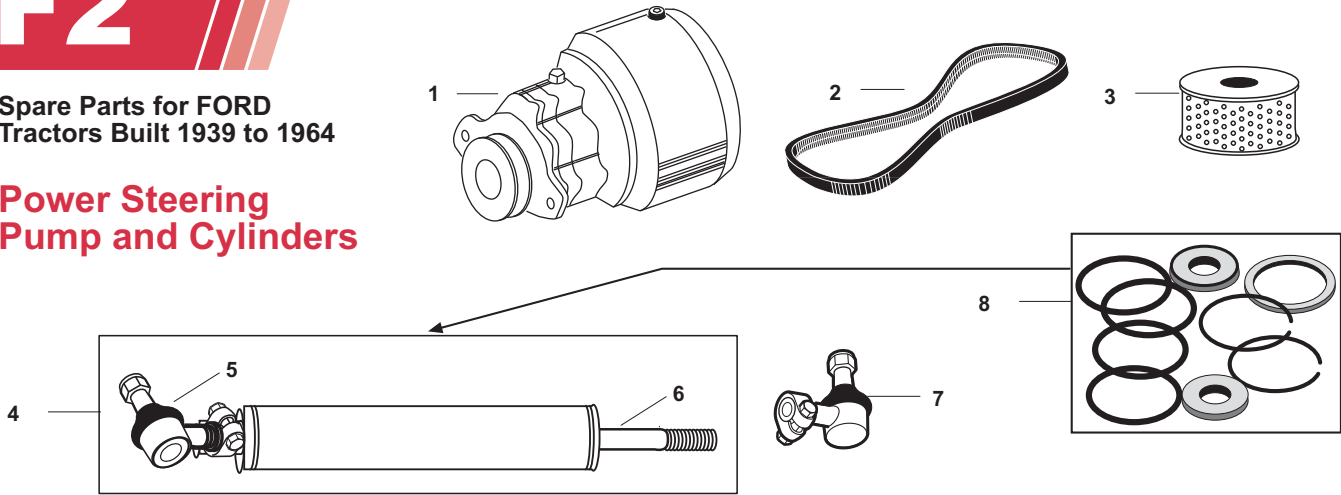
SPAREX No.	DESCRIPTION	EQUIVALENT	TRACTOR MODEL
1	<b>S.66265</b> Steering Wheel w/ Cap 6 Splines	E1ADKN3600A	Fordson Major, Power Major, Super Major
2	<b>S.66720</b> Steering Shaft (24" Long)	E1ADKN3524B	Fordson Major, Power Major, (->8/58)
2	<b>S.66022</b> Steering Shaft (25 7/8" Long)	E1ADDN3524	Fordson Power Major, Super Major (8/58->)
3	<b>S.66017</b> Rocker Shaft	C9NN3575C	Fordson Major, Power Major, Super Major
4	<b>S.65162</b> Bearing - Upper & Lower	E1ADKN3556 353075S	Fordson Major, Power Major, Super Major
5	<b>S.65164</b> Main Nut Roller	DKN3572	Fordson Major, Power Major, Super Major

Please see Index for alternative O.E. part numbers.

These parts are Sparex parts and are not manufactured by the Original Equipment Manufacturer.  
Original Equipment Manufacturer names, part numbers and descriptions are quoted for reference purposes only.

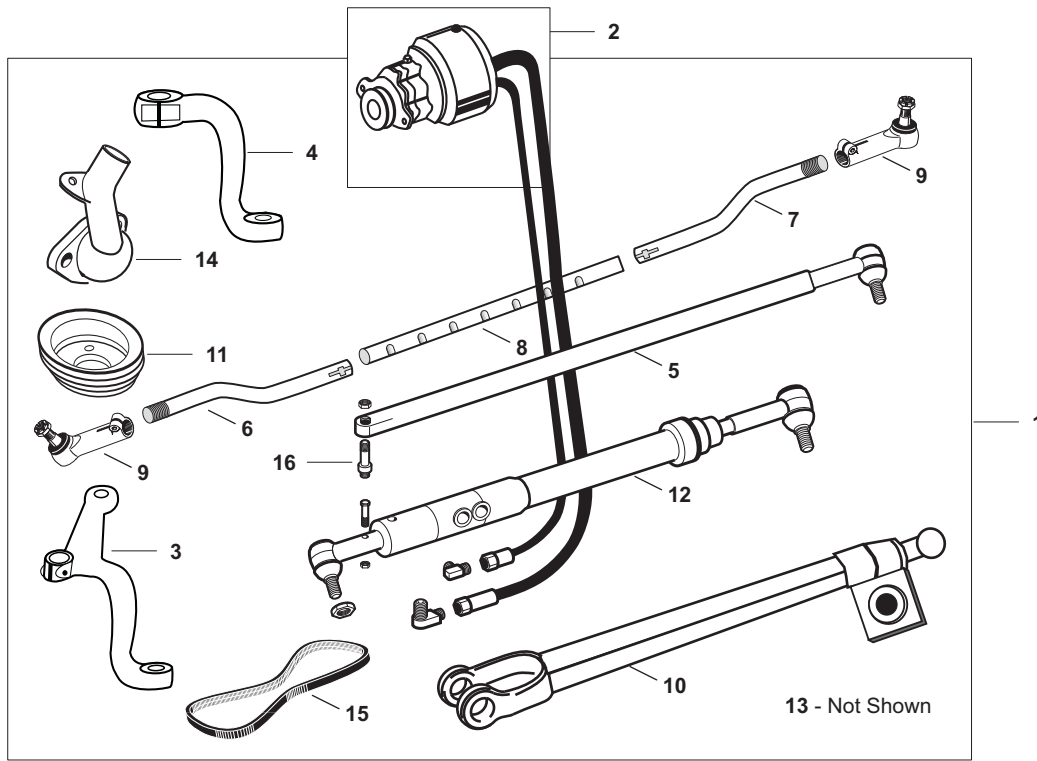
Spare Parts for FORD Tractors Built 1939 to 1964

## Power Steering Pump and Cylinders



**Note: Do not mix rod sizes on tractor.**

SPAREX No.	DESCRIPTION	EQUIVALENT	TRACTOR MODEL
1	<b>S.61085</b> Power Steering Pump w/ Belt (Gas)	C3NN3A691B	<b>601, 701, 801, 901, 2000, 4000</b>
2	<b>S.11175</b> Belt (1/2 x 46 1/2")		Fits S.60185
2	<b>S.18722</b> Power Steering Belt	EAF8577A	<b>601, 701, 801, 901, 2000, 4000,</b> w/ original Ford Pump with reservoir on top of pump
3	<b>S.60304</b> Power Steering Pump Filter	AE33538A	<b>700, 900, 601, 701, 801, 901, 2000, 4000, Fordson Major, Power Major, Super Major</b> - w/ original Ford Pump with reservoir on top of pump
4	<b>S.60656</b> Power Steering Cylinder - R/L (1/2" Rod - 7/16" Thread)	E2NN3A540BA E2NN3D547AA	<b>601, 801, 2000, 4000</b>
4	<b>S.60419</b> Power Steering Cylinder - R/L (5/8" Rod - 7/16" Thread)	E2NN3A540BA E2NN3D547AA	<b>601, 801, 2000, 4000</b>
4	<b>S.60658</b> Power Steering Cylinder - R/L (5/8" Rod - 1/2" Thread)	C5NN3A739G	<b>2000, 4000</b> Industrial Models
5	<b>S.61345</b> Power Steering Cylinder End (Can End)		Fits S.60656 and S.60658
6	<b>S.60642</b> Power Steering Cylinder Rod (1/2" Diameter Rod)		Fits S.60656
7	<b>S.60659</b> Power Steering Cylinder End (Rod End)	CAPN3300A	<b>2000, 4000</b> Industrial Models
8	<b>S.60666</b> Cylinder Repair Kit		Repairs Cylinder S.60656
8	<b>S.60668</b> Cylinder Repair Kit		Repairs Cylinders S.60658, S.60419



# F2

Spare Parts for FORD Tractors Built 1939 to 1964

## Add-on Power Steering Conversion Kit

*Note: These kits are add-on units designed for tractors without loaders. The Cylinder and/or Tie Rod Assembly may interfere with loader frames.*

SPAREX No.	DESCRIPTION	EQUIVALENT	TRACTOR MODEL
1	<b>S.61100</b> Conversion Kit (Contains: 2-15) Made in USA		<b>600, 800, 601, 801, 2000, 4000</b> (Except Rowcrop Gas Models only)
2	<b>S.61085</b> Pump Kit - Gas		
3	<b>S.60371</b> Spindle Arm - LH		
4	<b>S.60373</b> Spindle Arm - RH		
5	<b>S.60381</b> Drag Link		
6	<b>S.60389</b> Tie Rod - LH		
7	<b>S.60388</b> Tie Rod - RH		
8	<b>S.60390</b> Tie Rod Center		
9	<b>S.60391</b> Tie Rod End		
10	<b>S.60483</b> Radius Rod		
11	<b>S.60796</b> Double Pulley - Crankshaft		
12	<b>S.61039</b> Power Steering Cylinder		
13	<b>S.61382</b> Cylinder Adapter		
14	<b>S.61115</b> Thermostat Housing		
15	<b>S.11175</b> Belt		
16	<b>S.61328</b> Stud - Control Valve		

Please see Index for alternative O.E. part numbers.

These parts are Sparex parts and are not manufactured by the Original Equipment Manufacturer. Original Equipment Manufacturer names, part numbers and descriptions are quoted for reference purposes only.