

## Cooling System and Related Components

Page No.

|   |                                      |
|---|--------------------------------------|
| 1 | Fans, Water Pumps<br>and Repair Kits |
| 2 | Radiators, Caps & Thermostats        |
| 3 | Radiator Hoses & Belts               |
| 4 | Heaters & Antifreeze Tester          |

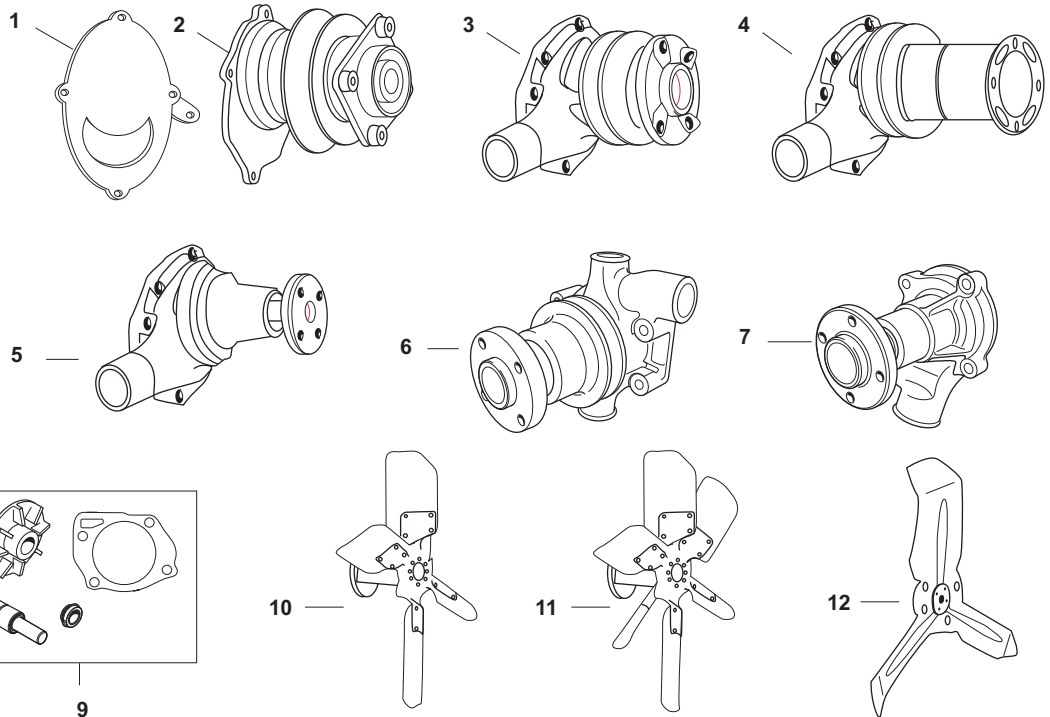
Please see Index for alternative O.E. part numbers.

These parts are Sparex parts and are not manufactured by the Original Equipment Manufacturer.

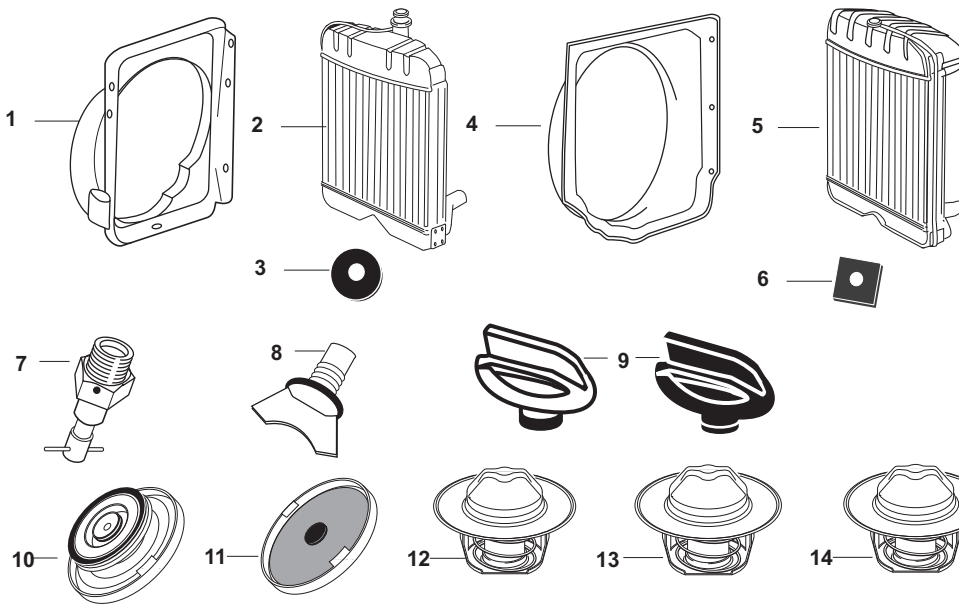
Original Equipment Manufacturers names, part numbers and descriptions are quoted for reference purposes only.

## Spare Parts for FORD Tractors Built 1939 to 1964

### Fans, Water Pumps and Repair Kits



| SPAREX No. | DESCRIPTION   | EQUIVALENT  | TRACTOR MODEL   |
|------------|---|-------------|---|
| 1          | S.66888 Back Plate w/ Offset Ear - Water Pump                     | 8N8508      | (8N 1/50-12/52 w/ Side Mount Distributor)   |
| 2          | S.60632 Water Pump Assembly w/ Gasket                             | CDPN8501A   | 9N, 2N, 8N  |
| 3          | S.60663 Water Pump Assembly w/ Gasket                             | CDPN8501B   | NAA, Jubilee  |
| 4          | S.60627 Water Pump Assembly w/ Gasket (Gas & Diesel)              | DCPN8501A   | 600, 700, 800, 900, 601, 701, 801, 901, 2000, 4000  |
| 5          | S.60648 Water Pump Assembly w/ Gasket (Used w/ Bolt-on Pulley)    | DCPN8501A   | 600, 700, 800, 900, 601, 701, 801, 901, 2000, 4000, (Also 192 cu. in. Industrial Engines) |
| 6          | S.65014 Water Pump Assembly w/ Gasket                             | 957E8501B   | Dexta, Super Dexta  |
| 7          | S.65015 Water Pump Assembly w/ Gasket                             | E1ADKN8501B | Fordson Major, Fordson Power Major, Fordson Super Major                                   |
| 8          | S.65020 Water Pump Repair Kit                                     | E2169T9     | Dexta, Super Dexta  |
| 9          | S.65021 Water Pump Repair Kit                                     | E1ADKN8591  | Fordson Major, Power Major, Super Major   |
| 10         | S.60571 Four Blade Fan  | 8N8600A     | 9N, 2N, 8N, NAA, Jubilee  |
| 11         | S.60302 Six Blade Fan - Puller (Optional for hot climates)        | 9N8600D     | 9N, 2N, 8N, NAA, Jubilee  |
| 12         | S.61703 Three Blade Fan (Gas Tractors) Used w/ S.60627 Water Pump | NCA8600S    | 600, 700, 800, 900, 601, 701, 801, 901, 2000, 4000  |



Spare Parts for FORD Tractors Built 1939 to 1964

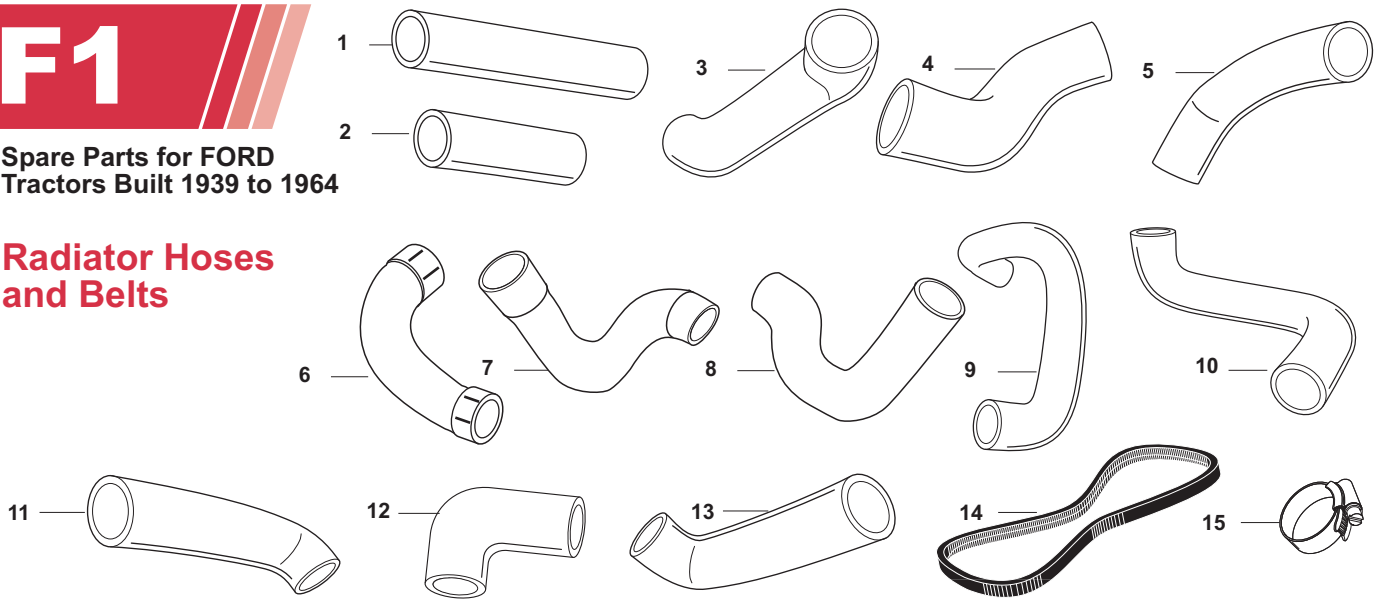
## Radiators, Caps and Thermostats

| SPAREX No. | DESCRIPTION  | EQUIVALENT | TRACTOR MODEL   |
|------------|--|------------|---|
| 1          | <b>S.60574</b> Shroud  | 2N8146     | 9N, 2N, 8N  |
| 2          | <b>S.60639</b> Radiator  | 8N8005     | 9N, 2N, 8N  |
| 3          | <b>S.66551</b> Radiator Mounting Pad                           | C5NN8125A  | 9N, 2N, 8N  |
| 4          | <b>S.60575</b> Shroud  | NCA8146A   | NAA, Jubilee, 600, 700, 800, 900, 601, 701, 801, 901, 2000, 4000  |
| 5          | <b>S.60638</b> Radiator  | C5NN8005AB | NAA, Jubilee, 600, 700, 800, 900, 601, 701, 801, 901, 2000, 4000  |
| 6          | <b>S.66552</b> Radiator Mounting Pad                           | B9NN8125A  | NAA, Jubilee, 600, 700, 800, 900, 601, 701, 801, 901, 2000, 4000  |
| 7          | <b>S.08440</b> Drain Tap                                       | C9NN8115A  | 9N, 2N, 8N, NAA, Jubilee, 600, 700, 800, 900, 601, 701, 801, 901, 2000, 4000  |
| 8          | <b>S.60200</b> Drain Tap - Plastic (12 x 1.25 mm)              |            | Fits Chinese Built 8N, 9N & 2N Radiators  |
| 9          | <b>S.61611</b> Winged Radiator Cap - Black (Pressure Cap)      | 2N8200A    | 9N, 2N, 8N  |
| 9          | <b>S.61615</b> Winged Radiator Cap - Chrome (Pressure Cap)     | 2N8200A    | 9N, 2N, 8N  |
| 10         | <b>S.08452</b> Radiator Cap (Pressure)                         | E62A8100A  | Dexta, Super Dexta, Fordson Major, Power Major, Super Major, Super 4 & 6  |
| 11         | <b>S.65002</b> Radiator Cap (Plain)                            | 528E8100A  | Dexta, Super Dexta (U.K. Only)  |
| 12         | <b>S.65030</b> Thermostat (168 Degree)                         | D8NN8575AA | NAA, Jubilee, 600, 700, 800, 900, 601, 701, 801, 901, 2000, 4000, Dexta, Super Dexta                                    |
| 12         | <b>S.65031</b> Thermostat (172 Degree)                         | D8NN8575CA | NAA, Jubilee, 600, 700, 800, 900, 601, 701, 801, 901, 2000, 4000, (Fordson Major, Power Major, Super Major 4/1957-1964) |
| 13         | <b>S.65032</b> Thermostat (188 Degree)                         | D8NN8575BA | NAA, Jubilee, 600, 700, 800, 900, 601, 701, 801, 901, 2000, 4000,   |
| 14         | <b>S.65029</b> Thermostat (194 Degree)                         | 691F8575AA | (Fordson Major 1952-4/1957)   |
| 15         | <b>S.61115</b> Thermostat Holder (With or Less Power Steering) | 310031     | NAA, Jubilee, 600, 700, 800, 900, 601, 701, 801, 901, 2000, 4000  |
| 16         | <b>S.61110</b> Thermostat Holder Gasket                        | EAF8255A   | NAA, Jubilee, 600, 700, 800, 900, 601, 701, 801, 901, 2000, 4000  |

Please see Index for alternative O.E. part numbers.

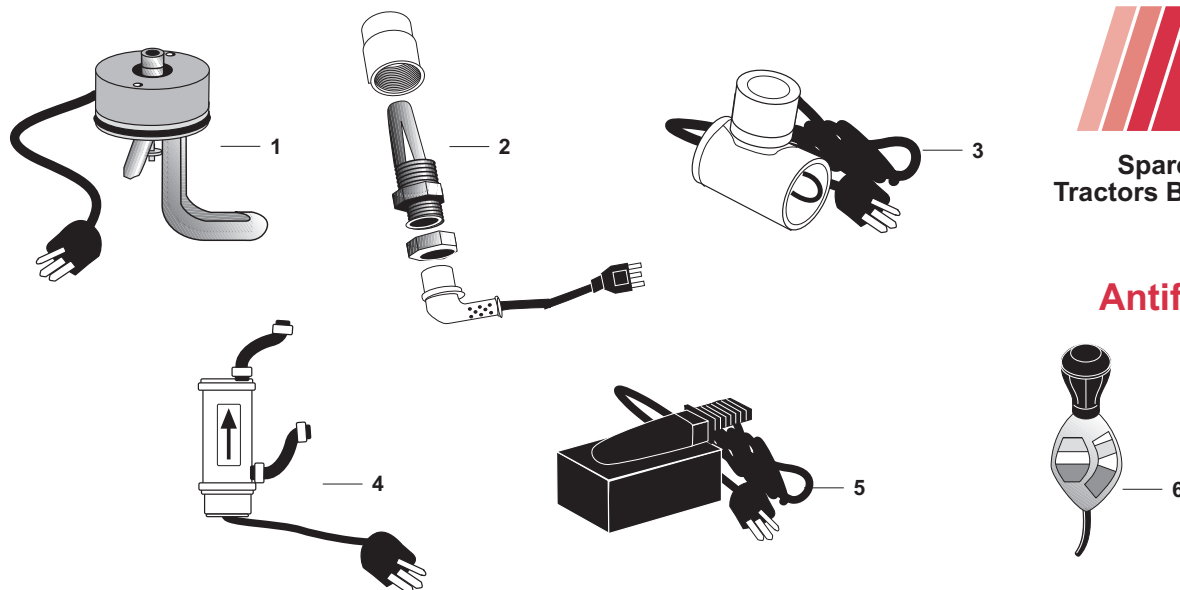
These parts are Sparex parts and are not manufactured by the Original Equipment Manufacturer. Original Equipment Manufacturer names, part numbers and descriptions are quoted for reference purposes only.

## Radiator Hoses and Belts



| SPAREX No. | DESCRIPTION                                    | EQUIVALENT         | TRACTOR MODEL   |
|------------|--|--------------------|---|
| 1          | S.60590 Top Hose                               | 2N8260             | 9N, 2N, 8N  |
| 2          | S.60591 Top Hose                               | NAA8260B           | NAA, Jubilee, 600, 700, 800, 900, 601, 701, 801, 901, 2000, 4000  |
| 3          | S.65007 Top Hose                               | 957E8260A          | Dexta   |
| 4          | S.65788 Top Hose                               | 957E8260B          | Super Dexta   |
| 5          | S.65008 Top Hose                               | E1ADKN8260         | Fordson Major, Power Major, Super Major   |
| 6          | S.60592 Bottom Hose (Less Power Steering)      | 312588             | 9N, 2N, (8N w/ Front Mount Distributor), NAA, Jubilee, 600, 700, 800, 900, 601, 701, 801, 901, 2000, 4000 |
| 7          | S.60593 Bottom Hose                            | 8N8286             | (8N w/ Side Mount Distributor)  |
| 8          | S.60594 Bottom Hose (with Power Steering)      | 313151             | NAA, Jubilee, 600, 700, 800, 900, 601, 701, 801, 901, 2000, 4000  |
| 9          | S.65010 Bottom Hose                            | 957E8286           | Dexta, Super Dexta  |
| 10         | S.65011 Bottom Hose                            | E1ADDN8286         | Fordson Major, Power Major, Super Major   |
| 11         | S.65027 Filler Hose (144 cu. in.)              | 957E8333A          | Dexta   |
| 11         | S.65780 Filler Hose (152 cu. in.)              | 957E8333B          | Super Dexta   |
| 12         | S.65028 Filler Hose                            | E1ADKN8333         | (Fordson Major, Super Major, Power Major 6/55 -64)  |
| 13         | S.40083 Inlet Hose - Pump to Block             | E5CJ9              | Dexta, Super Dexta  |
| 14         | S.18834 Fan Belt (5/8" x 45")                  | 9N8620             | 9N, 2N, (8N w/ Front Mount Distributor)   |
| 14         | S.18833 Fan Belt - Alternator (1/2" x 44")     |                    | 9N, 2N (8N w/ Front Mount Distributor) (w/ S.61050 Alternator Kit)  |
| 14         | S.18830 Fan Belt - Alternator (5/8" x 41 1/2") | 86520007<br>8N8620 | (8N w/ Side Mount Distributor), NAA, Jubilee, (NOTE: Also used w/ S.61020 Alternator Kit)                 |
| 14         | S.18722 Fan Belt (1/2" x 42")                  | EAF8577A           | 600, 700, 800, 900, 601, 701, 801, 901, 2000, 4000  |
| 14         | S.11174 Fan Belt (1/2" x 45")                  | E1ADKN8620C        | (Dexta, Super Dexta, Fordson Major, Power Major, Super Major 9/54 -64)                                    |
| 15         | S.04330 Clamp                                  |                    | For: S.60590, S.60591, S.60592, S.60593, S.60594, S.65011, S.65010  |
| 15         | S.04331 Clamp                                  |                    | For: S.60507, S.65788, S.65008, S.65027, S.65780, S.65028   |
| 15         | S.04329 Clamp                                  |                    | For: S.40083  |

## Heaters and Antifreeze Tester



| SPAREX No. | DESCRIPTION   | EQUIVALENT | TRACTOR MODEL   |
|------------|---|------------|---|
| 1          | <b>S.07091</b> Core Plug Heater (2.05" Cup Plug) 600 Watts        |            | <b>NAA, Jubilee, 600, 700, 800, 900, 601, 701, 801, 901, 2000, 4000</b> |
| 2          | <b>S.42752</b> Core Plug Heater (1 1/4" Cup Plug)                 |            | <b>Dexta, Super Dexta</b>   |
| 3          | <b>S.07081</b> Lower Radiator Hose Heater 1 1/4" ID Hose 600 Watt |            |   |
| 3          | <b>S.07082</b> Lower Radiator Hose Heater 1 1/2" ID Hose 600 Watt |            |   |
| 3          | <b>S.07083</b> Lower Radiator Hose Heater 1 3/4" ID Hose 600 Watt |            |   |
| 3          | <b>S.07084</b> Lower Radiator Hose Heater 2" ID Hose 600 Watt     |            |   |
| 4          | <b>S.07078</b> Tank Type Heater - 850 Watt                        |            | Cooling System up to 18 qt Capacity                                     |
| 4          | <b>S.07079</b> Tank Type Heater - 1000 Watt                       |            | Cooling System 16-25 qt Capacity  |
| 4          | <b>S.07080</b> Tank Type Heater - 1500 Watt                       |            | Cooling System 26-40 qt Capacity  |
| 5          | <b>S.07098</b> Magnetic Heater (8 sq in)                          |            |   |
| 5          | <b>S.07099</b> Magnetic Heater (20 sq in)                         |            |   |
| 6          | <b>S.20560</b> Antifreeze Tester - Indicates F° and C° Scales     |            |   |

Please see Index for alternative O.E. part numbers.

These parts are Sparex parts and are not manufactured by the Original Equipment Manufacturer. Original Equipment Manufacturer names, part numbers and descriptions are quoted for reference purposes only.