

**Page No.**

**1**

**Clutch Discs, Pressure Plates  
and Bearings**

**2**

**Clutch Release Arm Kit and  
Release Bearing Hubs**

**Clutch  
Assemblies  
and Related  
Components**

Please see Index for alternative O.E. part numbers.

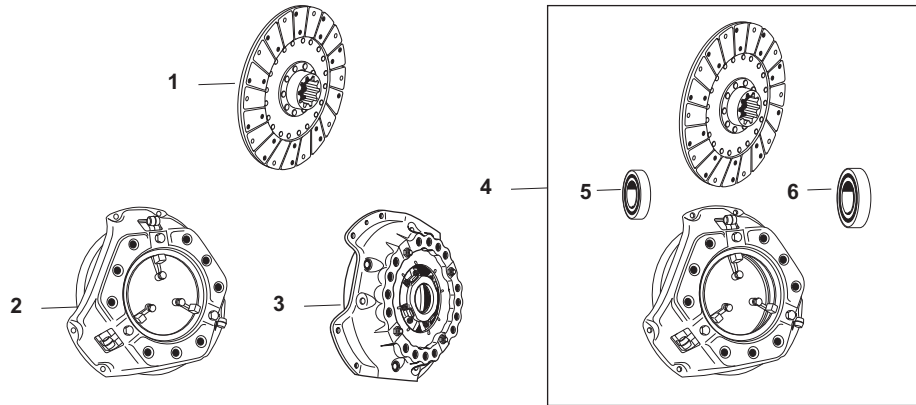
These parts are Sparex parts and are not manufactured by the Original Equipment Manufacturer.

Original Equipment Manufacturers names, part numbers and descriptions are quoted for reference purposes only.

# F4

Spare Parts for FORD Tractors Built 1939 to 1964

## Clutch Discs, Pressure Plates and Bearings



All Clutches and Discs Shown are New, Not Rebuilt, Made in the U.S.A. No Core Charge!

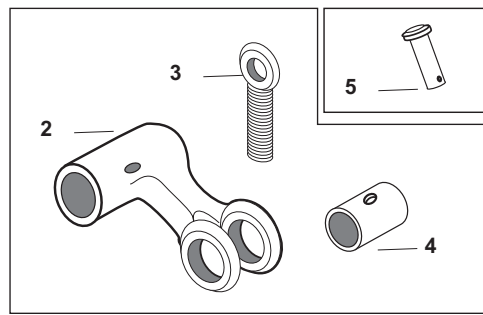
SPAREX No.	DESCRIPTION	EQUIVALENT	TRACTOR MODEL
1	<b>S.60693</b> 9" Clutch Disc	91A7550	(9N, 2N, 8N, NAA, Jubilee, 600, 700, 800, 900 w/ 3 & 4 Speed Trans)
1	<b>S.60924</b> 10" Clutch Disc - 10 Spline	NCA7550A	(600, 700, 800, 900, 55-57 w/ 4 & 5 Speed Trans, Single Clutch)
1	<b>S.60926</b> 10" Clutch Disc - 15 Spline	NDA7550B	(601, 701, 801, 901, 2000, 4000, 58-64, w/ 4 & 5 Speed, Single Clutch)
1	<b>S.19528</b> 11" Clutch Disc - 1" - 15 Spline	F0NN7550CA	Dexta, Super Dexta
1	<b>S.72736</b> 11" Clutch Disc - 1 3/8" - 10 Spline	D8NN7550DA	Fordson Major, Power Major, Super Major
1	<b>S.19537</b> 13" Clutch Disc - 1 3/8" - 10 Spline	E1ADDN7550D	Fordson Major, Power Major, Super Major
2	<b>S.60692</b> 9" Pressure Plate	09A7563	(9N, 2N, 8N, NAA, Jubilee, 600, 700, 800, 900 w/ 3 & 4 Speed Trans)
2	<b>S.60641</b> 10" Pressure Plate	B8NN7563A	(600, 700, 800, 900, 601, 701, 801, 901, 2000, 4000 w/ 4 & 5 Speed, Single Clutch)
2	<b>S.19511</b> 11" Pressure Plate	957E7563B	Dexta, Super Dexta, Fordson Major, Power Major, Super Major
3	<b>S.19523</b> 13" Pressure Plate	E1ADDN7563B	(Super Major 60-64)
4	<b>S.72750</b> 9" Clutch Rep Set - 10 Spline • New Pressure Plate S.60692 • New Clutch Disc S.60693 • Release Bearing S.65334 • Pilot Bearing S.40734	09A7563 91A7550 C0NN7580A C5NN7600A	(9N, 2N, 8N, NAA, Jubilee, 600, 700, 800, 900, 39-57, Single Clutch)
4	<b>S.72751</b> 10" Clutch Rep Set - 10 Spline • New Pressure Plate S.60641 • New Clutch Disc S.60924 • Release Bearing S.65334 • Pilot Bearing S.40734	B8NN7563A NCA7550A C0NN7580A C5NN7600A	(600, 700, 800, 900, w/ 4 & 5 Speed Tractors, Single Clutch)
4	<b>S.72752</b> 10" Clutch Rep Set - 15 Spline • New Pressure Plate S.60641 • New Clutch Disc S.60926 • Release Bearing S.65334 • Pilot Bearing S.40734	B8NN7563A NDA7550B C0NN7580A C5NN7600A	(601, 701, 801, 901, 2000, 4000, 58-64, w/ 4 & 5 Speed Tractors, Single Clutch)
5	<b>S.40734</b> Pilot Bearing	C5NN7600A	9N, 2N, 8N, NAA, Jubilee, 600, 700, 800, 900, 601, 701, 801, 901, 2000, 4000, Dexta, Super Dexta
5	<b>S.72739</b> Pilot Bearing	E1ADKN7600A	Fordson Major, Power Major, Super Major
6	<b>S.65334</b> Release Bearing (Single Clutch)	C0NN7580A	9N, 2N, 8N, NAA, Jubilee, 600, 700, 800, 900, 601, 701, 801, 901, 2000, 4000, Dexta, Super Dexta, Fordson Major, Power Major
6	<b>S.40735</b> Release Bearing (Double Clutch)	NDA7580B	600, 700, 800, 900, 601, 701, 801, 901, 2000, 4000

Please see Index for alternative O.E. part numbers.

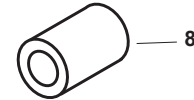
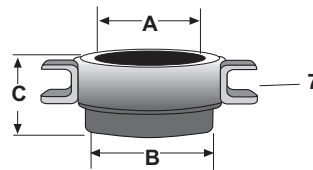
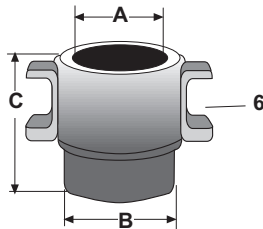
These parts are Sparex parts and are not manufactured by the Original Equipment Manufacturer. Original Equipment Manufacturer names, part numbers and descriptions are quoted for reference purposes only.



## Clutch Release Arm Kit and Release Bearing Hubs



1



SPAREX No.	DESCRIPTION	EQUIVALENT	TRACTOR MODEL
1	<b>S.66657</b> Clutch Release Arm Kit (Kit contains S.66654, S.66656, S.66655)		<b>8N, NAA, 600, 700, 800, 900</b> (->58 w/ 4 Speed Transmission)
2	<b>S.66654</b> Clutch Release Arm	8N7511B	<b>Same as Above</b>
3	<b>S.66656</b> Eyebolt	355584S8	<b>Same as Above</b>
4	<b>S.66655</b> Pin	8N7533	<b>Same as Above</b>
5	<b>S.01468</b> Clevis Pin (3/8" x 1 5/16")		(S.66656 Eyebolt to Clutch Pedal)
6	<b>S.61640</b> Release Bearing Hub (A=1.75", B=2.05", C=2.80")	311259	<b>601, 701, 801, 901, 2000, 4000</b> (5 Speed Trans w/ Single Clutch SN 14256->)
7	<b>S.60599</b> Release Bearing Hub (A=2.10", B=2.48", C=1.91")	311260	<b>601, 701, 801, 901, 2000, 4000</b> (w/ Double Clutch SN 14256->)
8	<b>S.03705</b> Clutch Shaft Bushing	407508A	<b>9N, 2N, 8N, NAA, Jubilee, 600, 700, 800, 900, 601, 701, 801, 901, 2000, 4000</b> (3 or 4 Speed Trans Only)

Please see Index for alternative O.E. part numbers.

These parts are Sparex parts and are not manufactured by the Original Equipment Manufacturer.  
Original Equipment Manufacturer names, part numbers and descriptions are quoted for reference purposes only.