

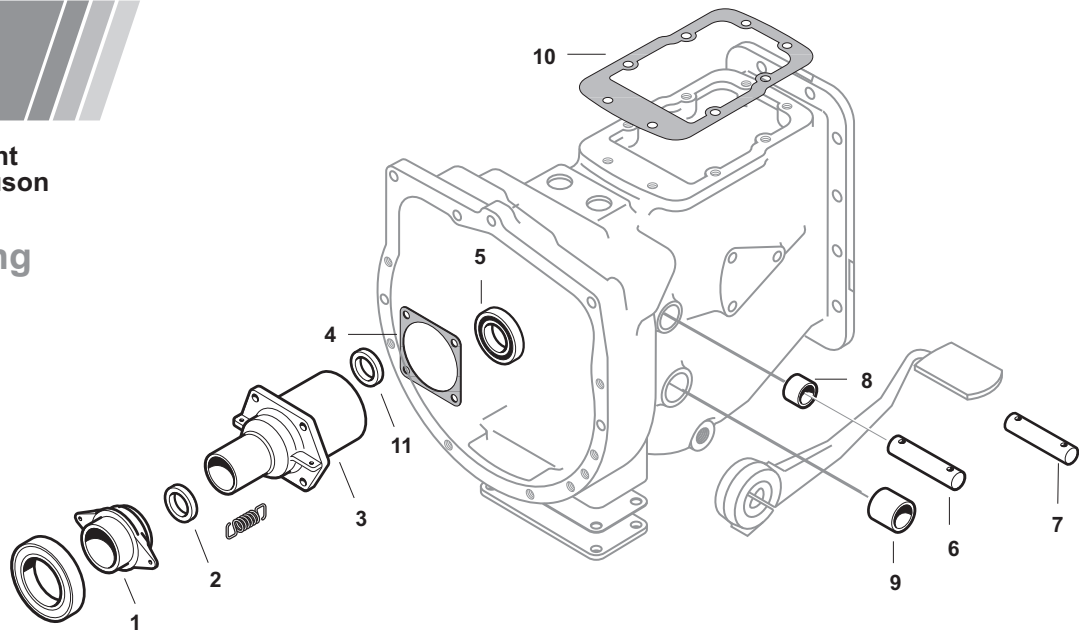
Page No.

- | | |
|---|--|
| 1 | Clutch Housing
and Related Components |
| 2 | 6 Speed Transmission Gears
and Related Components |
| 3 | 6 Speed Selectors
and Related Components |
| 4 | PTO and Related Components |

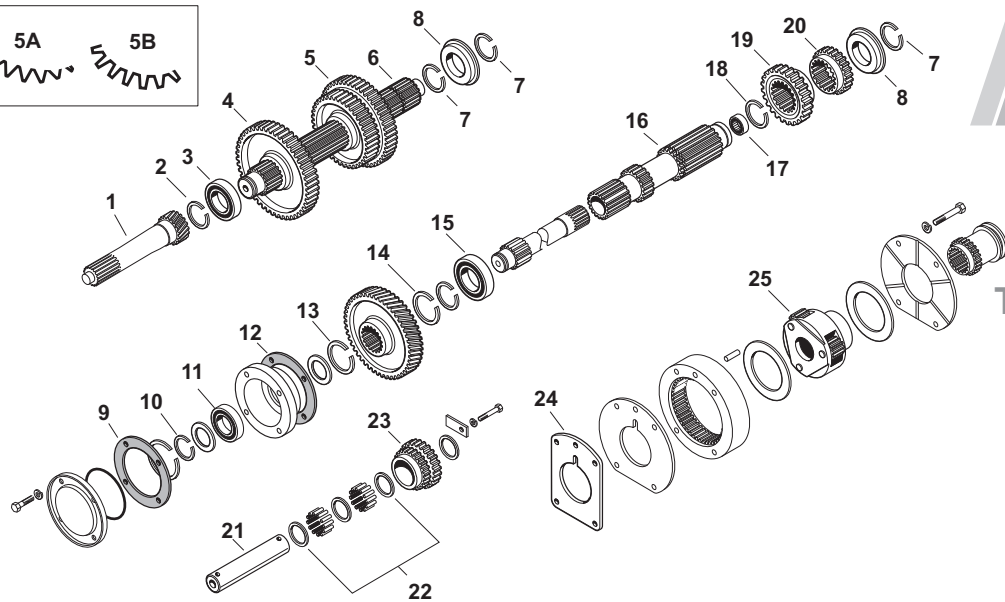
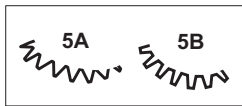
Transmission, PTO and Related Components

Sparex Replacement Spare Parts - Ferguson

Clutch Housing and Related Components



SPAREX No.	DESCRIPTION	EQUIVALENT	TRACTOR MODEL
1	S.40737 Release Bearing Carrier (2 1/8" ID)	183129M2	TO35, FE35, F40 (Single Clutch)
1	S.40738 Release Bearing Carrier (2 1/4" ID)	886727M1	(See S.41870 Note)
2	S.41749 Seal (2" x 1.54" x .28")	886673M1	(FE35 w/ Early Input Housing, Check Seal Dimensions)
2	S.40741 Seal (1 3/4" x 2 1/4" x 3/8")	195503M1	F40
3	S.41870 Input Housing	1867223M1	(FE35, TO35, F40 Standard 6-speed), Note: When replacing original Housing No.180428M2, also use S.40738 Release Bearing Carrier
4	S.41332 Gasket	180434M1	TO35, FE35, F40
5	S.40744 Bearing (80mm x 50mm x 16mm)	195494M1	(FE35, TO35, F40 w/ Dual Clutch)
6	S.41858 Shaft - Clutch Fork (1" x 5 17/32")	180444M1 1679460M1	TO35, FE35, F40
7	S.41857 Shaft - Clutch Fork (1" x 3 19/32")	180449M1	TO35, FE35, F40
8	S.40740 Bushing - Clutch Shaft (1" x 1 1/16" x 3/4")	184592M1	TE20, TEA20, TO35, FE35, F40
9	S.41741 Bushing - Brake Shaft (1 3/8" x 1 1/2" x 1 7/16")	180801M1	TE20, TEA20, TO35, FE35, F40
10	S.41352 Gasket	180511M2	(TO35 Manual Steering), FE35, F40
11	S.42395 Seal Input Shaft (1 1/8" X 2 1/4")	195523M1	TO35, FE35, F40



F5

Sparex Replacement
Spare Parts - Ferguson

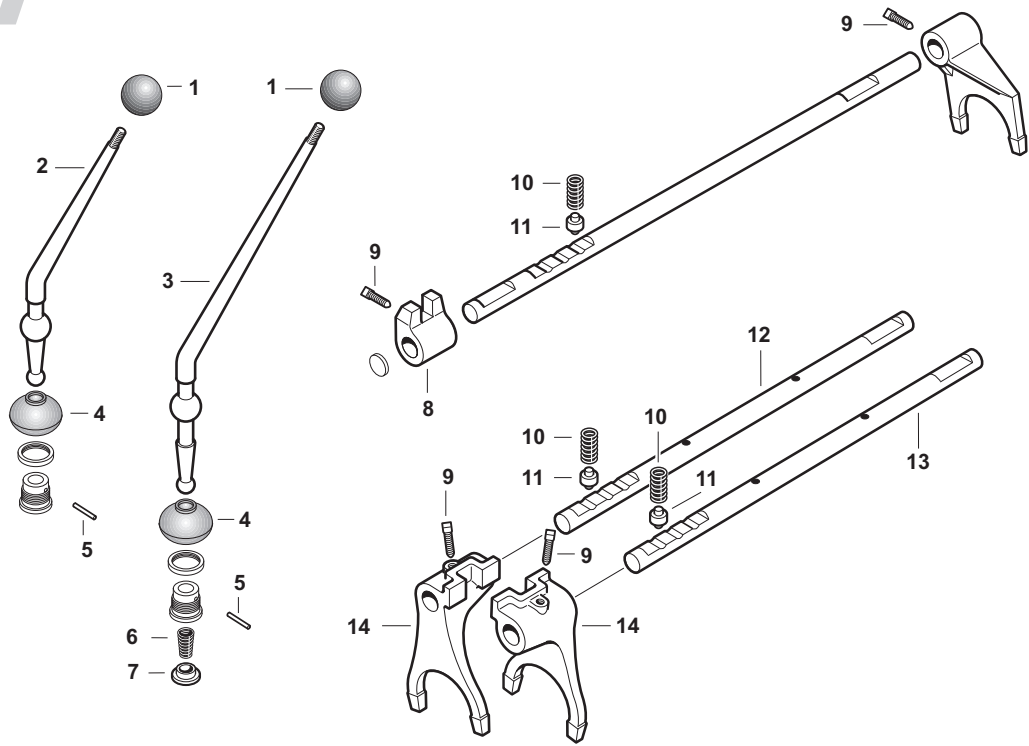
6 Speed
Transmission Gears
and Related
Components

SPAREX No.	DESCRIPTION	EQUIVALENT	TRACTOR MODEL
1	S.42005 Input Shaft (18 Tooth - 10 Spline)	180420M1	TO35, FE35
2	S.41630 Snap Ring (44mm x 36mm x 2.4mm)	195222M1	TO35, FE35
3	S.40781 Bearing (40mm x 89mm x 18mm)	195505M1	TO35, FE35, F40
4	S.40749 Gear (45 Tooth - 18 Spline)	183042M1	(TO35 SN 171549>), (FE35 >SN 365359)
5	S.40751 Gear (36/46 Tooth, 18 Spline=A)	180416M1	TO35, (FE35 >SN 213313), F40
5	S.40752 Gear (36/46 Tooth, 18 Spline=B)	891904M1	(FE35 SN 213314>)
6	S.40764 Mainshaft (11.34", 18 Spline, 3 Groove)	180441M1	TO35, (FE35 >SN 213313)
6	S.40768 Mainshaft (11.34", 18 Spline, 5 Groove)	187168M1	(FE35 SN 213314>)
7	S.41623 Snap Ring	195363M1	TO35, FE35, F40
8	S.40785 Bearing #6210Z w/ Snap Ring (50mm x 90mm x 20mm)	195493M1	TO35, FE35, F40
9	S.41508 Gasket	181237M1	TO35, FE35, F40
10	S.41630 Snap Ring	195222M1	TO35, FE35, F40
11	S.18058 Bearing 6208 (40mm x 80mm x 18mm)	195502M2	TO35, FE35, F40
12	S.41509 Gasket	180432M1	TO35, F40 (w/ Dual Clutch)
13	S.41629 Snap Ring	195497M1	TO35, F40 (w/ Dual Clutch)
14	S.41624 Snap Ring	195499M1	TO35, FE35, F40
15	S.40757 Bearing (#6211Z)	195507M1	TO35, FE35, F40
16	S.40758 Countershaft (15 Tooth, 17 Spline)	183054M91	(TO35 , w/ Dual Clutch SN 171549>)
17	S.40761 Needle Bearing	195453M1	(TO35 , w/ Dual Clutch), FE35, F40
18	S.41632 Snap Ring	195500M1	TO35, FE35, F40
19	S.40762 Pinion Gear (33 Tooth, 17 Spline)	180415M1	TO35, FE35, F40
20	S.40763 Pinion Gear (23 Tooth, 17 Spline)	180419M1	TO35, FE35, F40
21	S.61002 Reverse Idler Shaft	180445M1	TO35, FE35, F40
22	S.40787 Needle Rollers and Washers	830735M91	(TO35 , SN 171549>), FE35
23	S.40788 Reverse Gear (21 & 13 Tooth)	183040M1	(TO35 , SN 171548>), FE35
24	S.41921 Shim (.017")	184011M1	TO35, FE35
25	S.40754 Carrier	827719M1	(TO35 >SN 383154), (FE35 >SN383155), F40

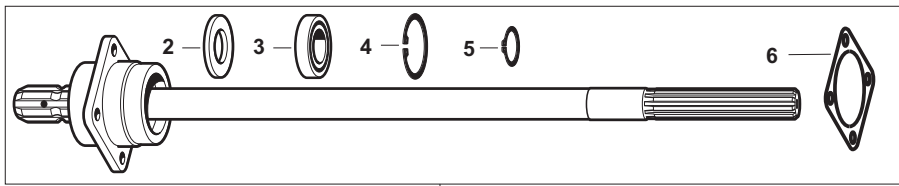
These parts are Sparex parts and are not manufactured by the Original Equipment Manufacturer. Original Manufacturers names, part numbers and descriptions are quoted for reference purposes only and are not intended to indicate that our replacement parts are made by the Original Equipment Manufacturer.

Sparex Replacement Spare Parts - Ferguson

6 Speed Selectors and Related Components



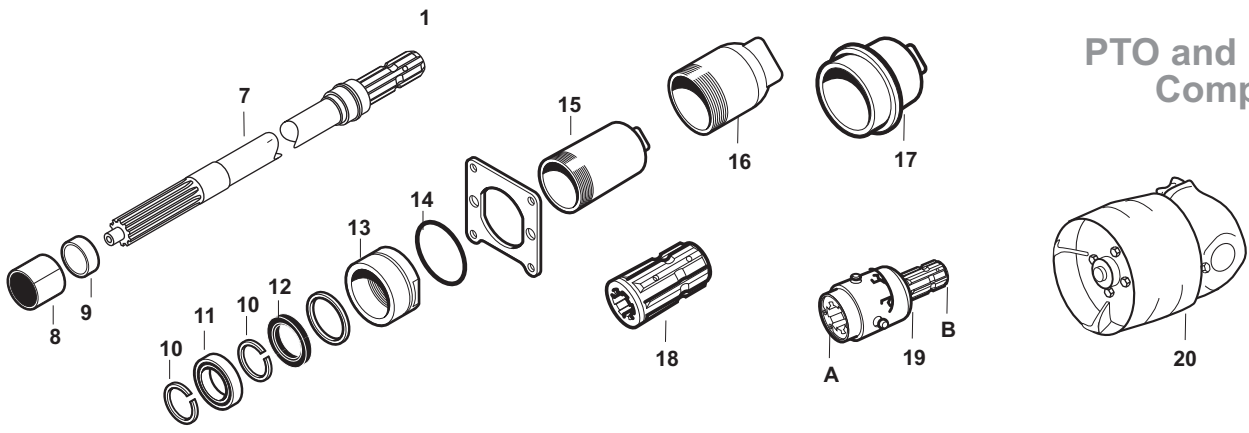
SPAREX No.	DESCRIPTION	EQUIVALENT	TRACTOR MODEL	
1	S.00641	Ball	180006M1	TO20, TE20, TEA20, TEF20, TO30, TO35, FE35, F40
2	S.41551	Lever - High/Low	180440M2	TO35, FE35, F40
3	S.41563	Lever - Main	891405M1	TO35, FE35, F40
4	S.40821	Boot	180579M3 520858M1	TO20, TO30, TO35, FE35, F40
5	S.41552	Pin	180581M1	TE20, TEA20, TEF20, TO20, TO30, TO35, FE35, F40
6	S.41555	Spring	192007M1 180582M1	TO20, TO30, TO35, FE35, F40
7	S.41973	Spring Seat	180583M1	TE20, TEA20, TEF20, TO20, TO30, TO35, FE35, F40
8	S.41975	Selector - High/Low	180446M1	TO35, FE35, F40
9	S.41557	Locking Screw	881144M1 180002M1	TE20, TEA20, TEF20, TO20, TO30, TO35, FE35, F40
10	S.41974	Spring	191221M1	TO35, FE35, F40
11	S.41550	Plunger	180418M1	TO35, FE35, F40
12	S.41977	Rail (1st and Reverse)	180442M2 1678867M1	TO35, FE35, F40
13	S.41978	Rail (2nd and 3rd)	180438M2 1678866M1	TO35, FE35, F40
14	S.41432	Fork (1st, Reverse, 2nd & 3rd)	180437M1	TO35, FE35, F40



F5

Sparex Replacement Spare Parts - Ferguson

PTO and Related Components



SPAREX No.	DESCRIPTION	EQUIVALENT	TRACTOR MODEL
1	S.00280 P.T.O. Conversion Kit (1 3/8" Shaft)		TE20, TEA20, TED20, TEF20, TO20, TO30 (Converts 1 1/8" P.T.O. system to 1 3/8")
2	S.65359 Seal	195763M1	TE20, TEA20, TEF20, TO20, TO30 (S.00280 Conversion Shaft)
3	S.18056 Bearing #6206 (30mm x 62mm x 16mm)	GA001773	TE20, TEA20, TEF20, TO20, TO30 Fits S.00280 Conversion Kit
4	S.55112 Snap Ring (62mm Internal)		Fits S.00280 Conversion Kit
5	S.02882 Snap Ring (30mm External)		Fits S.00280 Conversion Kit
6	S.61322 Gasket	181431M1	TE20, TEA20, TEF20, TO20, TO30
7	S.00277 P.T.O. Shaft (1 3/8")	181204M92	TO35, FE35, F40
8	S.40801 Bushing	180461M1	TO35, FE35, F40
9	S.40761 Needle Bearing	195453M1	TO35, FE35, F40
10	S.41622 Snap Ring (1 5/8" ID x 3/32")	195284M1	TO35, FE35, F40
11	S.40804 Bearing w/ Snap Ring (45mm x 75mm x 16mm)	195498M1	TO35, FE35, F40
12	S.40806 Seal (1.75" x s.687" x .75")	1860325M1 195506M1	TO35, FE35, F40
13	S.41989 Housing - Seal Retainer	180465M1	TO35, FE35, F40
14	S.04585 O-Ring	195522M1	TO35, FE35, F40
15	S.41987 P.T.O. Cap	180313M1	TO35, F40
16	S.60456 P.T.O. Cap		Fits S.00280 Conversion Kit
17	S.41310 P.T.O. Cap (w/ 1 1/8" Shaft)	181181M1	TE20, TEA20, TEF20, TO20, TO30
18	S.00253 P.T.O. Adaptor w/ Roll Pin (Length 2 3/16" - 56mm)		
19	S.15451 Over Running (A=1 1/8" B=1 3/8")		
19	S.15514 Over Running (A=1 3/8" B=1 3/8")		
19	S.13376 Over Running (A=1 1/8" B=1 1/8")		
19	S.13375 Over Running (A=1 3/8" B=1 1/8")		
20	S.60544 Belt Pulley, 6 Spline (1 3/8")	899622M91	

These parts are Sparex parts and are not manufactured by the Original Equipment Manufacturer. Original Manufacturers names, part numbers and descriptions are quoted for reference purposes only and are not intended to indicate that our replacement parts are made by the Original Equipment Manufacturer.