

**Front Axle,
Steering
and Related
Components****Page No.**

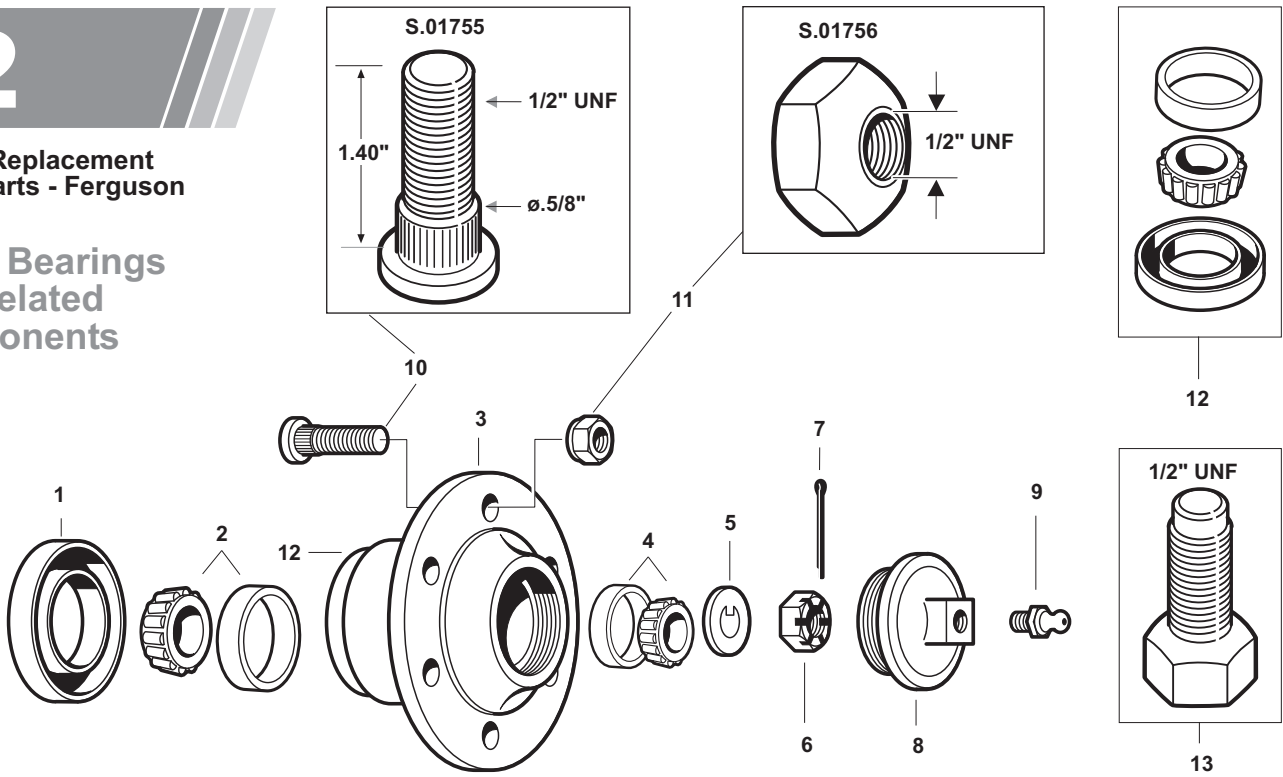
- | | |
|------------|---|
| 1 | Hubs, Bearings
and Related Components |
| 2-3 | Front Axle, Spindles
and Related Components |
| 4 | Manual Steering Gear
and Related Components - TO35 |
| 5 | Power Steering Gear
and Related Components - TO35 |
| 6 | Manual Steering Gear
and Related Components - FE35 |
| 7 | Tie Rods, Rims
and Related Components |
| 8 | Steering Wheels
and Related Components |

These parts are Sparex parts and are not manufactured by the Original Equipment Manufacturer. Original Manufacturers names, part numbers and descriptions are quoted for reference purposes only and are not intended to indicate that our replacement parts are made by the Original Equipment Manufacturer.

F2

Sparex Replacement Spare Parts - Ferguson

Hubs, Bearings and Related Components



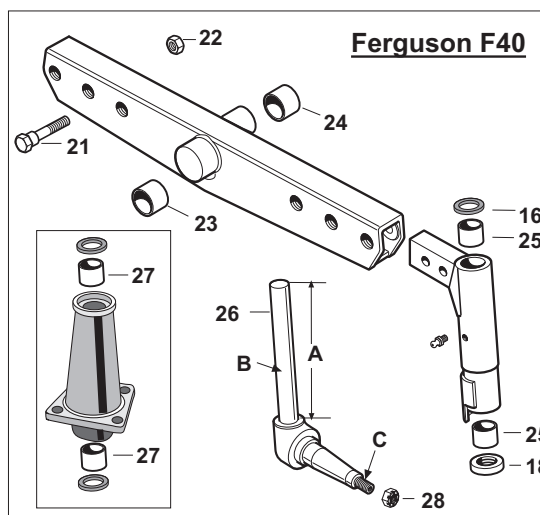
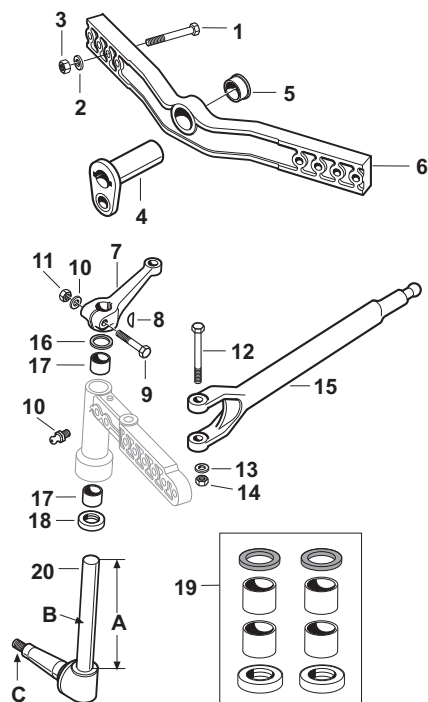
	SPAREX No.	DESCRIPTION	EQUIVALENT	TRACTOR MODEL
1	S.02969	Seal	897363M1 180008M1	(TE20, TEA20, TEF20, TO20, TO30, TO35, FE35 ->SN 36815), F40
2	S.02967	Bearing - Inner Cone & Roller 15123 Cup 15245	1850224M91 350351X1 763402M1	(TE20, TEA20, TEF20, TO20, TO30, TO35, FE35 ->SN 36815), F40
2	S.02971	Bearing - Inner - Cone & Roller LM48548 Cup LM48510	1851800M91 831078M1 831077M1	(FE35 SN 36815 ->)
3	S.40243	Hub	898085M91 180338M91	(TE20, TEA20, TEF20, TO20, TO30, TO35, FE35 ->SN 36815), F40
3	S.40245	Hub	886336M1	(FE35 SN 36815->)
4	S.02968	Bearing - Outer Cone & Roller 09067 Cup 09195	150662M11 150662M1 850127M1	(TE20, TEA20, TEF20, TO20, TO30, TO35, FE35, FE35 ->SN 36815), F40
4	S.02972	Bearing - Outer Cone & Roller LM11949 Cup LM11910	895322M91 831055M1 831054M1	(FE35 SN 36815->)
5	S.11222	Washer	180010M1	TEA20, TED20, TEF20, TO20, TO30, TO35, FE35, F40
6	S.40213	Nut - Slotted	353928X1	TEA20, TED20, TEF20, TO20, TO30, TO35, FE35, F40
7	S.01501	Cotter Pin	354068X1	TEA20, TED20, TEF20, TO20, TO30, TO35, FE35, F40
8	S.40246	Cap	1884289M1	TEA20, TED20, TEF20, TO20, TO30, TO35, FE35, F40
9	S.00821	Zerk	200191M1	TEA20, TED20, TEF20, TO20, TO30, TO35, FE35, F40
10	S.01755	Stud	181328M1	TE20, TEA20, TO20, TO30, TO35, FE35, F40
11	S.01756	Nut	195490M1	TE20, TEA20, TO20, TO30, TO35, FE35, F40
12	S.02970	Bearing & Seal Kit		Includes: 1-S.02967, 1-S.02968, 1-S.02969
12	S.02974	Bearing & Seal Kit		Includes: 1-S.02971, 1-S.02972, 1-S.02969
13	S.02744	Bolt (Fits S.40245 Hub)		(FE35 SN 36815->)



These parts are Sparex parts and are not manufactured by the Original Equipment Manufacturer. Original Manufacturers names, part numbers and descriptions are quoted for reference purposes only and are not intended to indicate that our replacement parts are made by the Original Equipment Manufacturer.

Sparex Replacement Spare Parts - Ferguson

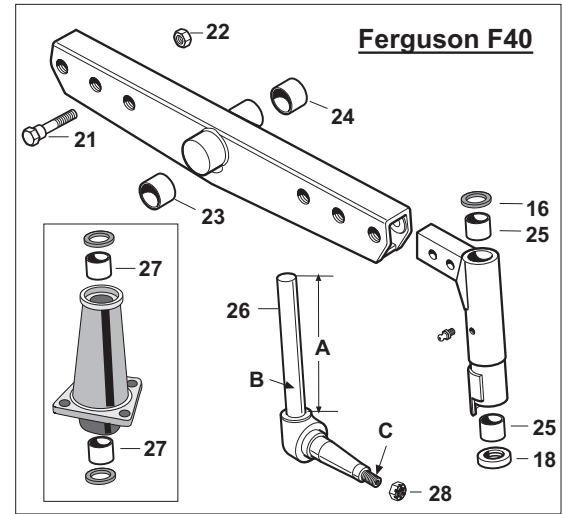
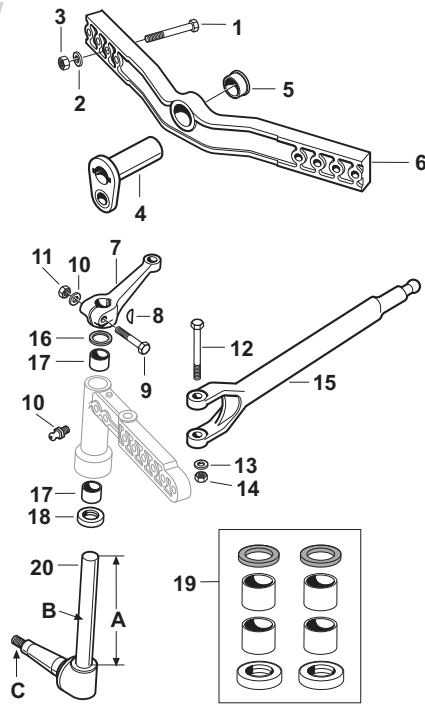
Front Axle, Spindles and Related Components



SPAREX No.	DESCRIPTION	EQUIVALENT	TRACTOR MODEL
1	S.04913 Bolt (5/8" x 3" UNF)	353623X1	TE20, TEA20, TEF20, TO20, TO30, TO35, FE35
1	S.40114 Bolt w/ Nylon Locknut (5/8" x 3" UNF)	353623X1 376267X1	TE20, TEA20, TEF20, TO20, TO30, TO35, FE35
2	S.04979 Flatwasher (5/8")	353774X1	TE20, TEA20, TEF20, TO20, TO30, TO35, FE35
3	S.01002 Nut (5/8" UNF)	353427X1	TE20, TEA20, TEF20, TO20, TO30, TO35, FE35
4	S.60049 Axle Pin w/ 9/16" Bolt Hole (4 1/4" x 1 3/4")	825002M1	TE20, TO20
5	S.42621 Bushing - Axle Pivot - Non-Flanged (1.76"ID x 1.91"OD x 1.50" Long)	180344M1	(TE20, TEA20, TEF20, TO20, TO30, TO35, FE35 ->SN 4859)
5	S.40107 Bushing - Axle Pivot - Flanged (1.76"ID x 2.06"OD x .82" Long)	182850M1	(TE20, TEA20, TEF20, TO20, TO30, TO35, FE35 SN 4860->)
6	S.60246 Axle w/ Bushing - Late Type	183219M91	TE20, TEA20, TEF20, TO20, TO30, TO35, FE35
7	S.41863 Steering Arm	180350M1	TE20, TEA20, TEF20, TO20, TO30, TO35, FE35
8	S.02922 Woodruff Key (5/16" x 1 1/4")	350355X1	TE20, TEA20, TEF20, TO20, TO30, TO35, FE35
9	S.01075 Bolt (7/16" x 2 3/4"UNF)	353572X1	TE20, TEA20, TEF20, TO20, TO30, TO35, FE35
10	S.01067 Lockwasher (7/16")	353432X1	TE20, TEA20, TEF20, TO20, TO30, TO35, FE35
11	S.01072 Nut (7/16"UNF)	353426X1	TE20, TEA20, TEF20, TO20, TO30, TO35, FE35
12	S.53802 Bolt - Radius Rod (5/8" x 5 1/2" UNF)	353642X1 354394X1	TE20, TEA20, TEF20, TO20, TO30, TO35, FE35
13	S.04979 Flatwasher (5/8")	353774X1	TE20, TEA20, TEF20, TO20, TO30, TO35, FE35
14	S.01002 Nut (5/8"UNF)	353427X1	TE20, TEA20, TEF20, TO20, TO30, TO35, FE35
15	S.40970 Radius Rod (39 1/2" Center of Hole to End of Rod)	180771M91	FE35 (Except Hi-clearance Conversion)
16	S.40220 Dust Seal	180355M2	TE20, TEA20, TEF20, TO20, TO30, TO35, FE35, F40
17	S.05932 Bushing - Unfinished	180345M1	TE20, TEA20, TEF20, TO20, TO30, TO35, FE35
17	S.42244 Bushing - Finished	180345M1	TE20, TEA20, TEF20, TO20, TO30, TO35, FE35
18	S.40226 Thrust Bearing	018560X 195175M1	TE20, TEA20, TEF20, TO20, TO30, TO35, FE35, F40

Sparex Replacement Spare Parts - Ferguson

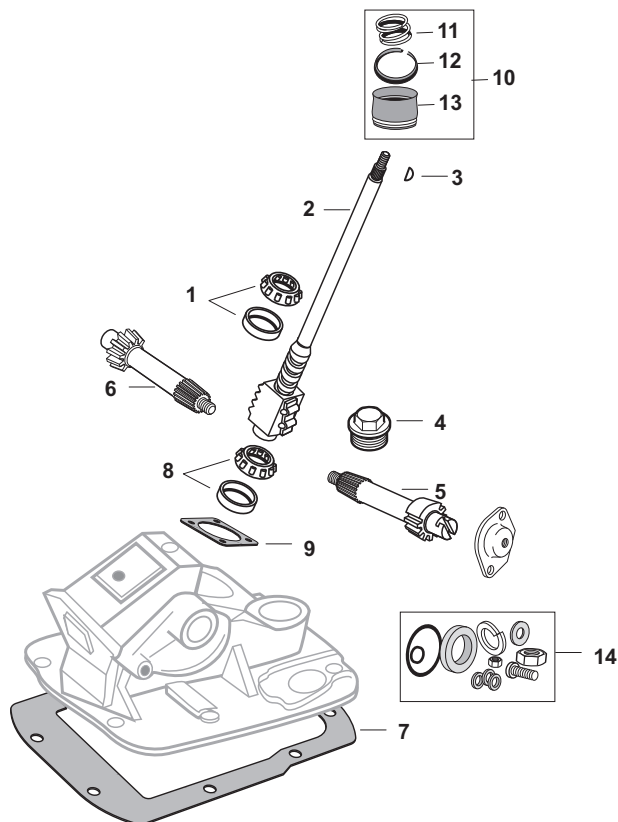
Front Axle, Spindles and Related Components





SPAREX No.	DESCRIPTION	EQUIVALENT	TRACTOR MODEL
19	S.40217 Spindle Repair Kit - Includes: S.05932 Unfinished Bushing x 4, S.40226 Thrust Bearings x 2, S.40220 Dust Seals x 2		TE20, TEA20, TEF20, TO20, TO30, TO35, FE35
20	S.15984 Spindle - LH (A=11", B=1 1/4", C=3/4"UNF)	180349M92 897415M91	(TE20, TEA20, TEF20 SN 49,999~52,496, SN 52,567->), TO20, TO30, TO35, (FE35 SN 356901~368615)
20	S.15985 Spindle -RH (A=11", B=1 1/4", C=3/4"UNF)	180346M92 897414M91	(TE20, TEA20, TEF20 SN 49,999~52,496, SN 52,567->), TO20, TO30, TO35, (FE35 SN 356901~368615)
21	S.15974 Shoulder Bolt (3/4"UNF)	182501M1	F40 (Utility or Hi-clearance Axle)
22	S.01014 Nut (3/4"UNF)	353435X1	F40 (Utility or Hi-clearance Axle)
23	S.57746 Bushing - Axle Pivot - Front	196049M1	F40 (Utility or Hi-clearance Axle)
24	S.42218 Bushing - Axle Pivot - Rear	196050M1	F40 (Utility or Hi-clearance Axle)
25	S.40223 Bushing	196060M1	F40
26	S.15989 Spindle - RH (A=11 5/8", B=1 1/4", C=3/4"UNF)	182559M92	F40 Utility
26	S.15988 Spindle - LH (A=11 5/8", B=1 1/4", C=3/4"UNF)	182560M92	F40 Utility
26	S.15991 Spindle - RH (A=18", B=1 1/4", C=3/4"UNF)	182557M92	F40 Hi-clearance
26	S.15990 Spindle - LH (A=18", B=1 1/4", C=3/4"UNF)	182558M92	F40 Hi-clearance
27	S.40117 Bushing - Pedestal	196057M1	F40
28	S.40213 Nut - Slotted (3/4"UNF)	353928X1	TE20, TEA20, TEF20, TO20, TO30, TO35, FE35, F40

Sparex Replacement Spare Parts - Ferguson

Manual Steering Gear and Related Components - TO35



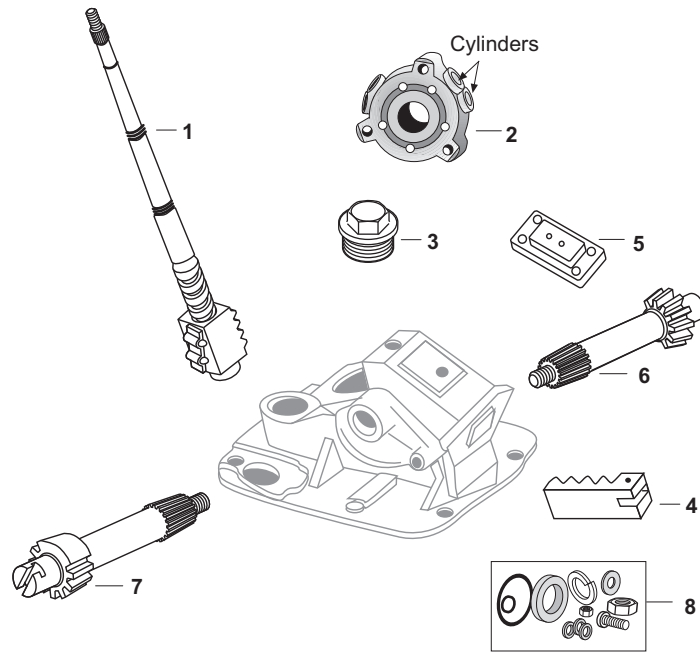
***NOTE:** These Sectors are for Power Steering. Use them for Manual Steering if both Sectors are Replaced.

SPAREX No.	DESCRIPTION	EQUIVALENT	TRACTOR MODEL
1	S.65160 Bearing & Cup Assembly - Upper	180526M1 180549M1	TO35
2	S.61105 Shaft & Ball Nut (21 3/8" Long)	180538M91	TO35
3	S.02911 Woodruff Key (3/16 x 3/4")	002951X	TO35
4	S.41318 Filler Plug	768300M1	TO35
5	S.60464 *Sector (10 Tooth) 	1752890M1	TO35
6	S.60463 *Sector (8 Tooth) 	1752891M1	TO35
7	S.41352 Gasket	180511M92	TO35
8	S.65160 Bearing & Cup Assembly - Lower	180526M1 180549M1	TO35
9	S.61623 Shim Kit - Steering Column (Contains: 2 x.005", 2 x.010", 2 x.015")	830627M91	TO35
10	S.67122 Manual Steering Column Kit - Top Bearing (Contains: S.67050, S.67051, S.67052)		TO35
11	S.67052 Manual Steering Column Spring	180572M1	TO35
12	S.67050 Manual Steering Column Spring Seat	180563M1	TO35
13	S.67051 Manual Steering Column Bearing	180528M91	TO35
14	S.67109 Sector Kit - Contains: Adjustor Bolt*, Nut, Washer, O-Rings, Shims, Felt Seal (* Adjustor Bolt Allen-headed, not slotted like original)		TO35

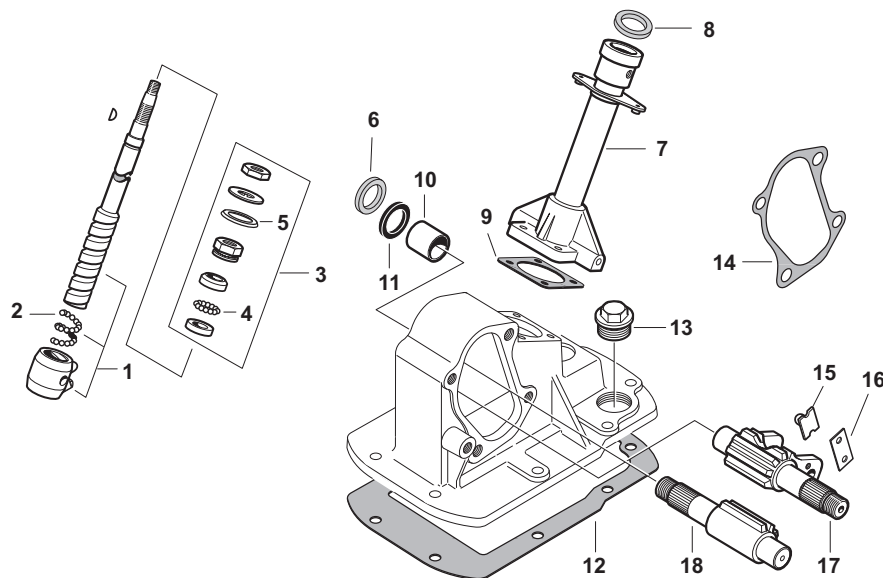
Sparex Replacement Spare Parts - Ferguson

Power Steering Gear and Related Components

TO35



SPAREX No.	DESCRIPTION	EQUIVALENT	TRACTOR MODEL
1	S.61497 Shaft (21 3/4" Long)	1751666M91	TO35
2	S.42753 Power Steering Valve Assembly	1018735M92 1755047M91	TO35
3	S.41318 Filler Plug	768300M1	TO35
4	S.60068 Rack - New Style	1751665M1	TO35
5	S.61641 Wear Block Assembly (Plate, Wear Block, 2 Screws)	1751644M1 1751643M1	TO35
6	S.60464 Sector (10 Tooth)	1752890M1	TO35
7	S.60463 Sector (8 Tooth)	1752891M1	TO35
8	S.67109 Sector Kit - Contains: Adjuster Bolt*, Nut, Washer, O-Rings, Shims, Felt Seal (* Adjuster Bolt Allen-headed, not slotted like original)		TO35

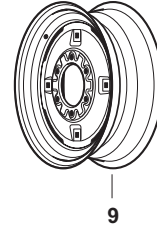
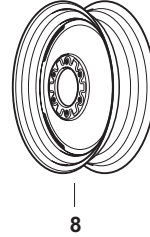
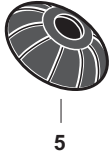
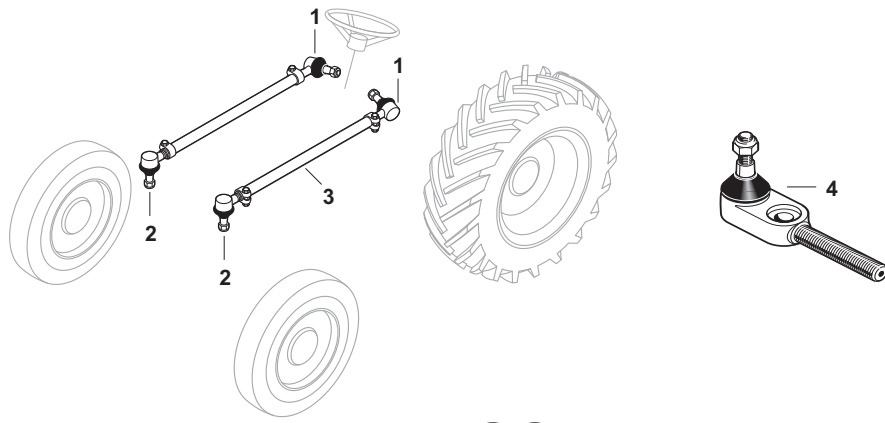


SPAREX No.	DESCRIPTION	EQUIVALENT	TRACTOR MODEL
1	S.40274 Steering Shaft & Nut Assembly - Keyed, 21.14" Long	1850003M92	FE35
2	S.10902 Steel Ball (5/16") 27 used in Ballnut	2971X	FE35
3	S.40293 Top Bearing Kit	13535X 1850031M1 1850032M1 1850033M1 1850034M1 1850053M1	FE35
4	S.65789 Steel Ball (3/8") 12 used	13535X	FE35
5	S.42299 O-Ring	1850234M1	FE35
6	S.42301 Felt Seal	1850020M1	FE35
7	S.41562 Column Tube (12 7/8" Long)	899462M93 1850011M92	FE35
8	S.42300 Felt Seal	827210M1	FE35
9	S.41961 Gasket	1850038M1 1893620M1	FE35
10	S.40284 Bushing (1.250 x 1.384 x 1.119")	1850018M1	FE35
11	S.41618 Seal - Oil	1850019M1 1893623M1	FE35
12	S.41352 Gasket	180511M1	FE35
13	S.41318 Plug (2" Thread)	768300M1	FE35
14	S.41960 Gasket	1850041M1	FE35
15	S.41566 Peg	1861583M1	FE35
16	S.42310 Tab Washer	1850030M1	FE35
17	S.40280 Rocker Shaft - Lower - Primary	1850016M1	FE35
18	S.40279 Rocker Shaft - Upper - Secondary	1850017M1	FE35

F2

Sparex Replacement Spare Parts - Ferguson

Tie Rods, Rims and Related Components

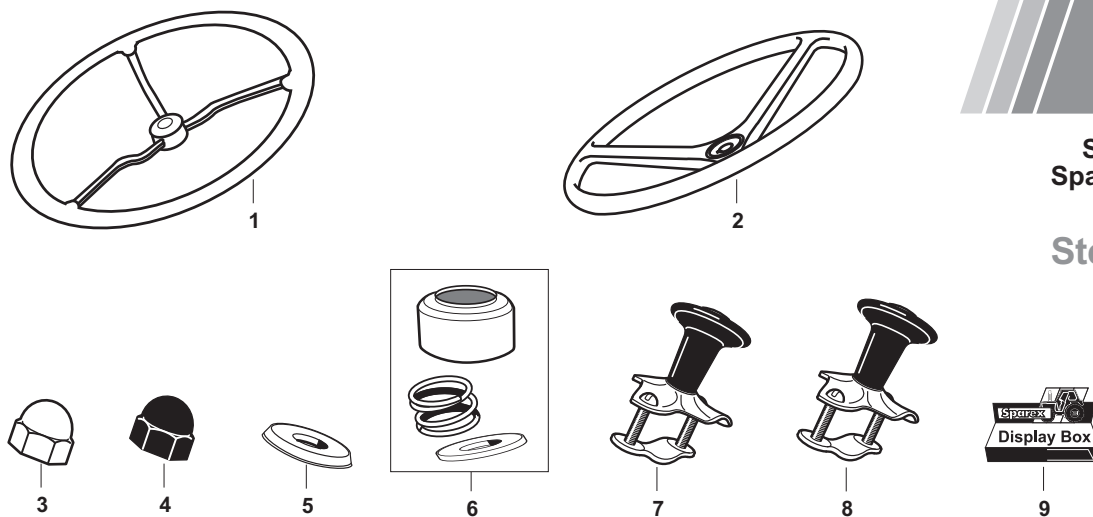


SPAREX No.	DESCRIPTION	EQUIVALENT	TRACTOR MODEL
1	S.42161 Drag Link End - Rear LH Thread	181582M91	TEA20, TEF20, TE20
1	S.40167 Drag Link End - Rear	180391M91 826752M2	TO20, TO30, TO35, FE35
2	S.41962 Drag Link End - Front RH Thread	126920 825695M91	TEA20, TE20, TEF20
2	S.40163 Drag Link End - Front	180381M91 194606M91	TO20, TO30, TO35, FE35
3	S.61413 Drag Link - (34 1/2" Tube Length)		TO20 , (Can be used on TE20, TEA20, TEF20 if S.40167 & S.40163 are also used.)
3	S.61414 Drag Link - (32 3/4" Tube Length)		TO20 , (Can be used on TE20, TEA20, TEF20 if S.40167 & S.40163 are also used.)
4	S.40186 Tie Rod - RH (Inner) (A=3/4", B=7 1/2" C=11/16~3/4" Tapered, D=3/4")	182519M91	F40
5	S.40191 Tie Rod Boot (1.80" Dia. x 0.61" High x 0.64" Hole)	890124M1	Universal
6	S.40192 Tie Rod Boot (2" Dia. x 0.85" High x 0.75" Hole)	883475M1	Universal
7	S.40193 Tie Rod Boot (1.29" Dia. x 0.95" High x 0.51" Hole)	885486M91	Universal
8	S.60504 Rim (3.50 x 19) - Like Original Uses 4 x 19 Tire (4 1/2" Pilot Hole)		
9	S.40286 Rim (4.50 x 16) Uses 5.50 x 16 or 6 x 16 Tire (4 1/2" Pilot Hole)		
9	S.40287 Rim (5.50 x 16) Uses 6 x 16 or 6.50 x 16 or 7.50 x 16 Tire (4 1/2" Pilot Hole)		

***NOTE: We will NOT be responsible for damage to Rims delivered via UPS or FedEx.**

Sparex Replacement Spare Parts - Ferguson

Steering Wheels and Related Components



SPAREX No.	DESCRIPTION	EQUIVALENT	TRACTOR MODEL
1	S.61373 Steering Wheel - Keyed - Steel Spoke	180576M1	TE20, TEA20, TEF20, TO20, TO30, TO35, FE35, F40
2	S.41486 Steering Wheel - Keyed - Plastic	180576M1	TE20, TEA20, TEF20, TO20, TO30, TO35, FE35, F40
2	S.43232 Steering Wheel - Keyed - Plastic - Economy	180576V1	TE20, TEA20, TEF20, TO20, TO30, TO35, FE35, F40
3	S.40290 Steering Wheel Nut - Domed - Chrome	195592M1	TE20, TEA20, TEF20, TO20, TO30, TO35, FE35, F40
4	S.43044 Steering Wheel Nut - Domed - Black	195592M1	TE20, TEA20, TEF20, TO20, TO30, TO35, FE35, F40
5	S.40291 Washer - Steering Wheel Nut - Chrome	180577M1	TE20, TEA20, TEF20, TO20, TO30, TO35, FE35, F40
6	S.42879 Steering Column Cover - Chrome w/ Spring & Felt Seal	890576M1	TE20, TEA20, TEF20, TO20, TO30
7	S.52091 Wheel Spinners - Red, Wooden, Non-Ball Bearing		Fits: Standard & Deep Dish Steering Wheels. Display Box with order of 12 Spinners.
7	S.52092 Wheel Spinners - Aluminum, Ball Bearing		Fits: Standard & Deep Dish Steering Wheels. Display Box with order of 12 Spinners.
7	S.60918 Wheel Spinners - Black, Vinyl Covered, Ball Bearing		Fits: Standard & Deep Dish Steering Wheels. Display Box with order of 12 Spinners.
7	S.60919 Wheel Spinners - Red, Vinyl Covered, Ball Bearing		Fits: Standard & Deep Dish Steering Wheels. Display Box with order of 12 Spinners.
8	S.00637 Wheel Spinners - Black, Plastic Non-ball Bearing		Fits: Standard & Deep Dish Steering Wheels.
9	S.00628 Wheel Spinners - Black, Plastic Non-ball Bearing - Display Box of 10		Fits: Standard & Deep Dish Steering Wheels.