

## Brakes and Related Components

Page No.

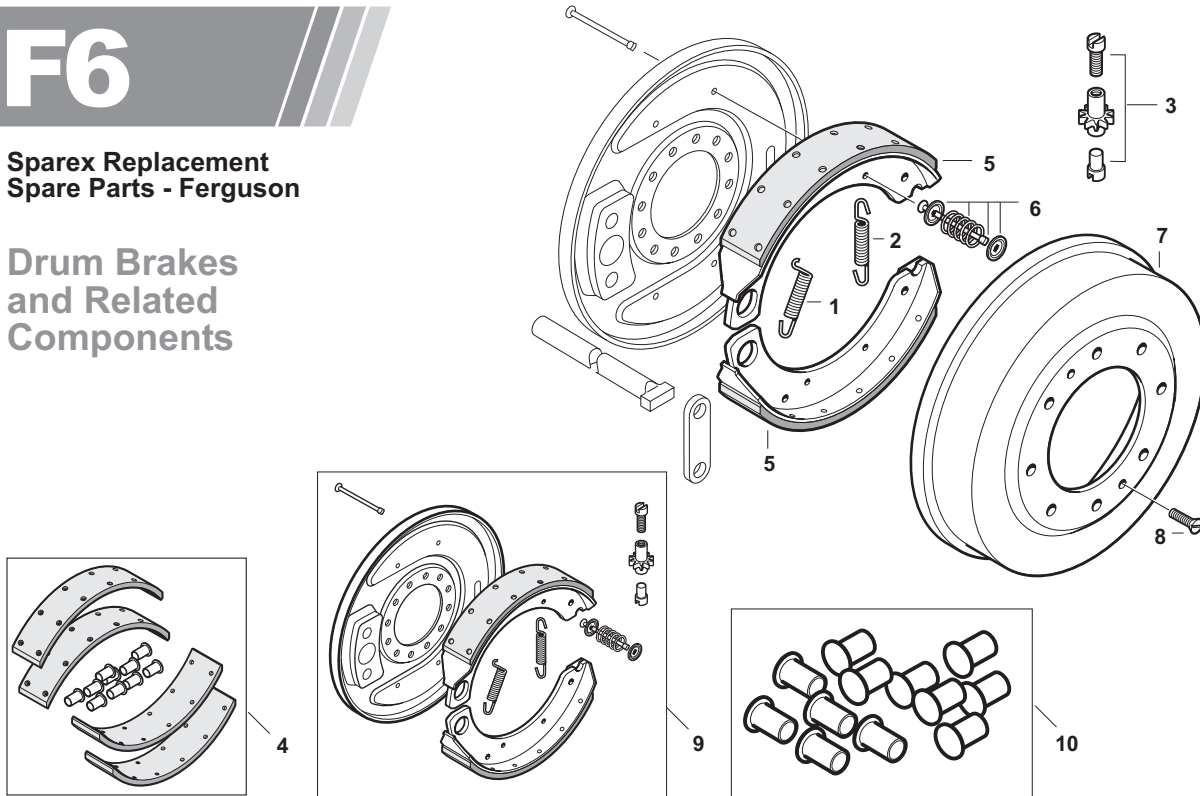
1 — **Drum Brakes  
and Related Components**

2 — **Brake Linkage  
and Related Components**

# F6

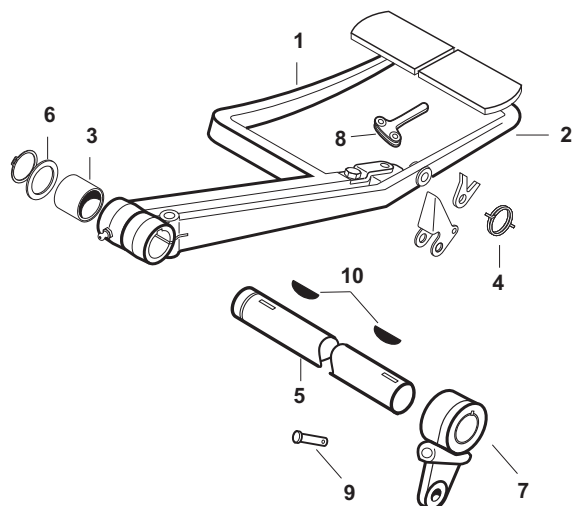
## Sparex Replacement Spare Parts - Ferguson

### Drum Brakes and Related Components



SPAREX No.	DESCRIPTION	EQUIVALENT	TRACTOR MODEL
1	<b>S.01785</b> Spring - Overall Length = 4" Coil Length = 2 3/8" Coil Diameter = 5/8"	825064M1	<b>TEA20, (TEF20 SN 200001&gt;), FE35</b>
2	<b>S.42067</b> Spring - Overall Length = 5 3/16" Coil Length = 2 11/16" Coil Diameter = 5/8"	1850217M1	<b>TEA20, TEF20, FE35</b>
3	<b>S.41564</b> Adjuster Assembly	1850213M91	<b>TEA20, TEF20, TO20, TO30, TO35, FE35</b> (Can replace early type brake adjusters)
4	<b>S.04163</b> Brake Lining Kit - (4 Linings and 48 Rivets)	1810517M92 3620602M91	<b>TE20, TEF20, TEA20</b>
5	<b>S.61877</b> Brake Shoe - Bonded Sold in Multiples of 2-Price per Shoe	830537M92	<b>TO20, TO30</b>
5	<b>S.40825</b> Brake Shoe - Bonded Sold in Multiples of 2-Price per Shoe	830480M92	<b>TO35, F40</b>
5	<b>M6-01-01</b> Brake Shoe - Riveted		<b>TEA20, FE35</b>
6	<b>S.41483</b> Pin Kit - (2 1/4" Pins) Contains: 4 x 1850207M1 Pins 8 x 1850218M1 Cups 4 x 1850219M1 Springs	1810029M91	<b>TO20, TO30, TE20, (80mm Engine)</b>
7	<b>S.40827</b> Brake Drum	827707M5	<b>TEA20, TEF20, FE35, TO35, F40</b>
8	<b>S.41554</b> Screw	182278M1	<b>TEA20, TEF20, FE35, TO35, F40</b>
9	<b>S.42592</b> Brake Back Plate Assembly	827143M91	<b>FE35</b>
10	<b>S.41797</b> Brake Lining Rivets (per Rivet)		

### Brake Linkage and Related Components



SPAREX No.	DESCRIPTION	EQUIVALENT	TRACTOR MODEL
1	<b>S.42594</b> Brake Pedal - RH	181961M1 194491M91	<b>TO35, F40</b>
2	<b>S.42595</b> Brake Pedal - LH	181962M1	<b>TO35, F40</b>
3	<b>S.41619</b> Bushing - Brake Pedal (1 3/8" x 1 1/2" x 1 3/4")	195910M1	<b>TO35, FE35, F40</b>
4	<b>S.01766</b> Spring - Brake Latch	180809M2	<b>TO35, FE35, F40</b>
5	<b>S.61136</b> Crossshaft	181959M1	<b>TO35, F40</b>
6	<b>S.42596</b> Washer	181964M1	<b>TO35, F40</b>
7	<b>S.61134</b> Brake Arm	180864M1	<b>TO35, FE35, F40</b>
8	<b>S.42597</b> Brake Lock	181960M1	<b>TO35, FE35, F40</b>
9	<b>S.42610</b> Clevis Pin - Brake Rod to Pedal (3/8" x 1 3/16")	832813M1 195609M1	<b>TO35, FE35, F40</b>
10	<b>S.02916</b> Woodruff Key (1/4" x 1")	012501X	<b>TO35, FE35, F40</b>