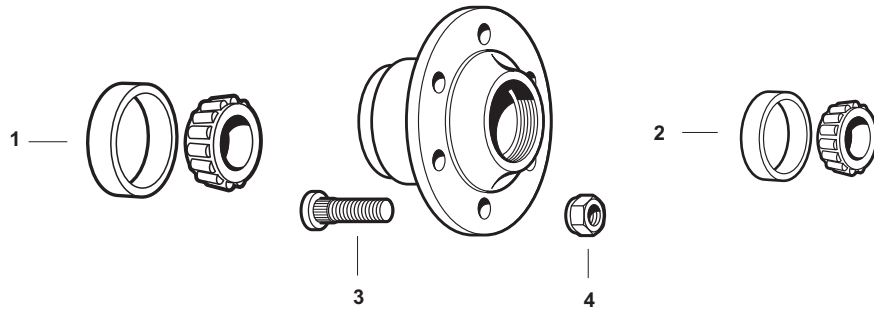


Spare Parts for DEUTZ & DEUTZ/ALLIS Tractors

Front Wheel Hubs and Related Parts

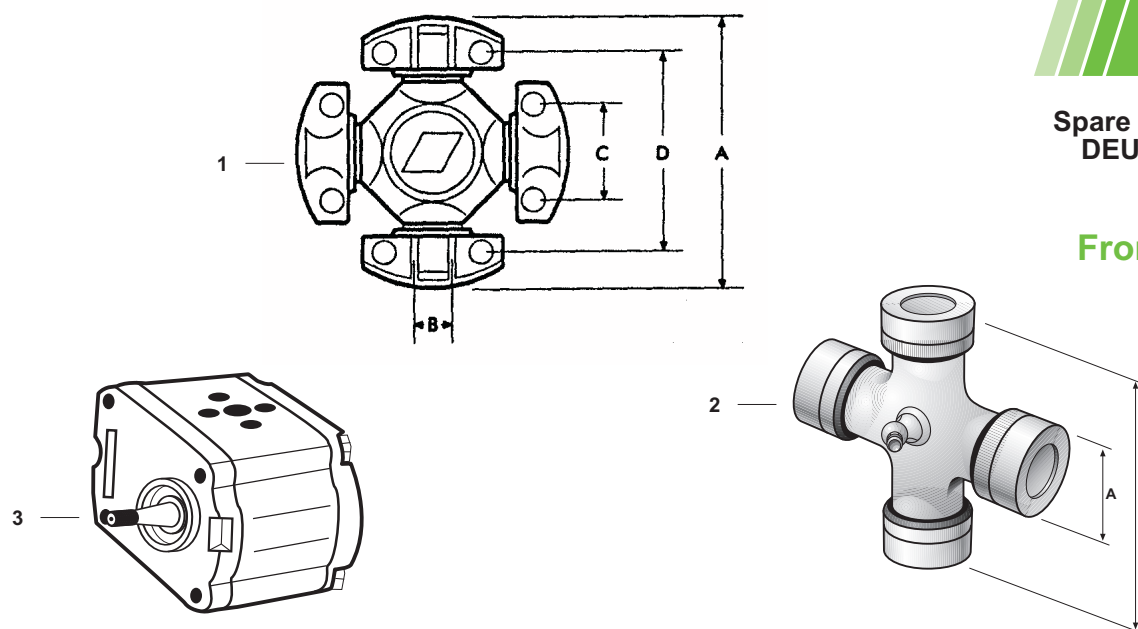


SPAREX No.	DESCRIPTION	EQUIVALENT	TRACTOR MODEL
1	S.18255 Inner Wheel Bearing Bearing # - 32207	1110001	D7007 H.D., D7207, D7807 H.D., D7807C H.D., D8006, D10006 H.D., D13006 H.D., DX3.10, DX3.30, DX3.30 V.C., DX3.50, DX3.50 S.C., DX3.70, DX3.70 V.C., DX3.70 S.C., DX3.90, DX3.90 V.C., DX3.90 S.C., DX4.70, DX6.30, DX6.50, DX7.10, DX90 H.D., DX110, DX120, DX130, DX140, DX145, DX160, DX92, 6240, 6240 V.C., 6250, 6250 V.C., 6260, 6260 V.C., 6260 S.C., 6265, 6265 S.C., 6265 V.C., 6275, 6275 S.C., 6275 V.C., 7085, 7110, 7120, 7145
1	S.18256 Inner Wheel Bearing Bearing # - 32208	1110002	D40S, D50S, D55S
1	S.18215 Inner Wheel Bearing Bearing # - 30207	1109957	D3006, D4006, D4506, D4507, D5207, D5506 ->S.N. 7551, 6150 D6206 ->S.N. 7551
1	S.18213 Inner Wheel Bearing Bearing # - 30205	1109955/ 1109977	D3006, D4006, D4506 Except Standard Axles; D5206 ->S.N. 7553, D5506 ->S.N. 7551, D6206 ->S.N. 7551
1	S.18216 Inner Wheel Bearing Bearing # - 30208	1109958	D6006, D6806, D7006, D7206, D6206 S.N. 7552->; D6807, D7007, D7007C, D7807, D7807C, D8006, D10006 Except Heavy Duty Axles; D6207, D6507, D6507C
1	S.18218 Inner Wheel Bearing Bearing # - 30210	1104462/ 72092848	8005, 8006, 6240 V.C., 6250 V.C., 6260 V.C., 6260 S.C., 6265 V.C., 6265 S.C., 6275 V.C., 6275 S.C., 7085, 7110, 7120, 7145, DX3.30 V.C., DX3.70 V.C., DX3.70 S.C., DX3.90 V.C., DX3.50 S.C., DX3.90 S.C., DX6.30, DX6.50, DX7.10
2	S.18230 Outer Wheel Bearing Bearing # - 30305	1109977	D4006, D4506, D4507, D5206 From S.N. 7554->, D5207 S.N. 7554->, 6150
2	S.18254 Outer Wheel Bearing Bearing # - 32206	1110000	D6006, D7006, D6206 S.N. 7552->, D6806, D7206, D8006 Except H.D., D10006 Except H.D., D6207, D6507, D6507C, D6807 Except H.D., D7807 Except H.D., D7807C Except H.D., D7007 Except H.D., D7007C Except H.D., 6250V, 6250F, 6260F, 6275F, DX3.30VF, DX90 Except H.D.
2	S.18214 Outer Wheel Bearing Bearing # - 30206	1109956	DX85, DX90
2	S.18215 Outer Wheel Bearing Bearing # - 30207	1109957	8005, 8006
3	S.11295 Front Wheel Stud 14mm x 1.5 x 42 mm	2386625	D6006, D6206, D6207, D6507, D6507C, D6806, D7007, D7007C, D7206, D7207, D7807, D7807C, D8006, D10006, D13006, DX3.30VC, DX3.30VF, DX3.50VF, DX3.50SC, DX3.70VC, DX3.70SC, DX3.90VC, DX3.90SC, DX90, DX110-76, DX120, DX130, DX140-76, 6240VC, 6250VC, 6250VF, 6260VC, 6260SC, 6265VC, 6265SC, 6275VC, 6275SC
4	S.11594 Front Wheel Nut 14mm x 1.5	1121785	Same as Above

Please see Index for alternative O.E. part numbers.

These parts are Sparex parts and are not manufactured by the Original Equipment Manufacturer. Original Equipment Manufacturer names, part numbers and descriptions are quoted for reference purposes only.

Front Wheel Drive Bearings



SPAREX No.	DESCRIPTION	EQUIVALENT	TRACTOR MODEL
1	S.13909 Bearing Assembly (Front Wheel Drive) (A = 130mm; B = 15.9mm; C = 49.2mm; D = 104 mm)	4315375	D4507, D5207, D6207, D6507, D6507C, D6806, D7007, D7007C, D7206, D7207, D7807, D7807C, D8006, D10006, D13006, DX90, DX110-76, DX120
2	S.71452 Bearing Assembly (Front Wheel Drive = 38mm x 106mm)	2376456	D6006, D6806, DX130, DX140-76, DX7.10, 7145
3	S.60722 Power Steering Pump		DX140, DX160, DX7.10, 7145

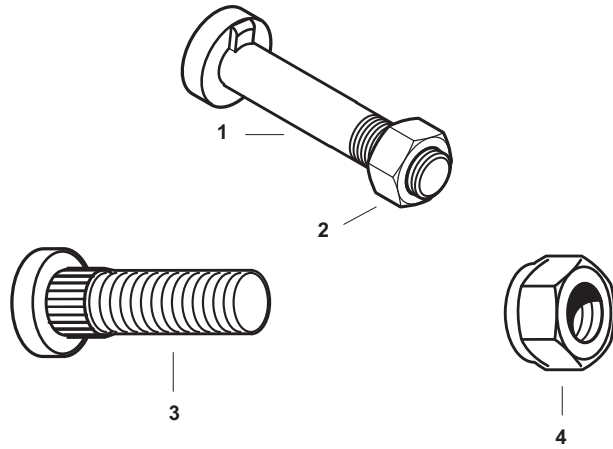
Please see Index for alternative O.E. part numbers.

These parts are Sparex parts and are not manufactured by the Original Equipment Manufacturer.

Original Equipment Manufacturer names, part numbers and descriptions are quoted for reference purposes only.

Spare Parts for DEUTZ & DEUTZ/ALLIS Tractors

Rear Wheel Lugs and Rear Wheel Lug Nuts



SPAREX No.	DESCRIPTION	EQUIVALENT	TRACTOR MODEL
1	S.03024 Rear Wheel Rim to M18 X 1.5 Disc.	2388867	DX4.70, DX6.10, DX6.30,DX6.50, DX7.10, DX110, DX120, DX145, DX160, 7085, 7110, 7120, 7145
1	S.08397 Rear Wheel Rim to Disc Bolt 14mm x 1.5 x 116mm (Pipped Head)	1220123	D3006, D4006, D4506, D4507, D5206, D5207, D6206, D6207, D6507, D6507C, D6806, D7206, D8006, D10006, D13006, DX3.30VF, DX3.30VC, DX3.50VF, DX3.50SC, DX90, 6240VC, 6250VC, 6250VF, 6275F, 6260VC, 6260SC
2	S.08927 Rear Wheel Rim to Disc Nut 14mm x 1.5	1100169	Same as Above
2	S.11507 Nut - M18 X 1.5		Same as Above
3	S.11296 Rear Wheel Stud 18mm x 1.5 x 54mm	N/A	D3006, D4006, D4506, D4507, D5206, D5207, D5506, D6006, D6206, D6207, D6507, D6507C, D7007, D7007C, D7206, D7207, D7807, D7807C, DX3.30VC, DX3.30VF, DX3.50VF, DX3.50, DX3.70VC, DX3.70SC, DX3.90VC, DX.390SC, 6250VC, 6250VF, 6260VC, 6260SC, 6265VC, 6265SC, 6275VC, 6275SC
4	S.12832 Rear Wheel Nut	1101323	Same as Above

Please see Index for alternative O.E. part numbers.

These parts are Sparex parts and are not manufactured by the Original Equipment Manufacturer. Original Equipment Manufacturer names, part numbers and descriptions are quoted for reference purposes only.

Tie Rod Ends

Tie Rod Index

O.E. #	SPAREX #	LENGTH (cm)	TOP SHAFT (Dia. in mm)	THREAD DIMENSIONS
2311074	S.63235	100.3	16.2	M16 x 1.5mm - RH
2311093	S.63241	949.5	17.3	
2311220	S.63255	106.7	19.7	M24 x 1.5mm - RH
2315645	S.63239	755.7	19.7	1 1/16" (7 Grooves)
2334601	S.63254	90.2	14.5	M18 x 1.5mm - RH
2339341	S.63236	104.9	19.9	M18 x 1.5mm - RH
2371245	S.63240	228.6	19.7	1 1/16" (3 Grooves)
2378948	S.63238	106.7	18.1	M24 x 1.5mm - RH
2381193	S.30288	292.1	14.4	0.618" (6 Indents)
2381195	S.30272	91.4	13.0	M16 x 1.5mm - RH
2382758	S.30271	977.9	12.4	M22
2382761	S.30270	911.4	12.4	
2382773	S.30284	990.6	15.2	
2382774	S.30283	850.9	14.5	
2382775	S.30282			
2382777	S.30279	977.9	15.2	
2382778	S.30277	850.9	15.0	M22
2386988	S.30289	311.2	14.4	0.618"
2382761	S.30275		12.7	M22
3387861	S.30276	858.5	14.7	
3387874	S.30280	715.0	15.0	
2381195	S.30273	91.4	13.0	
3387880	S.30270	1041.4	12.7	
3388983	S.30281			
4317563	S.63237	120.7	23.4	M27 x 1.5mm - RH
4358287	S.63257			M22 x 1.5mm
4358286	S.63256	219.1	23.5	M22 x 1.5mm - RH

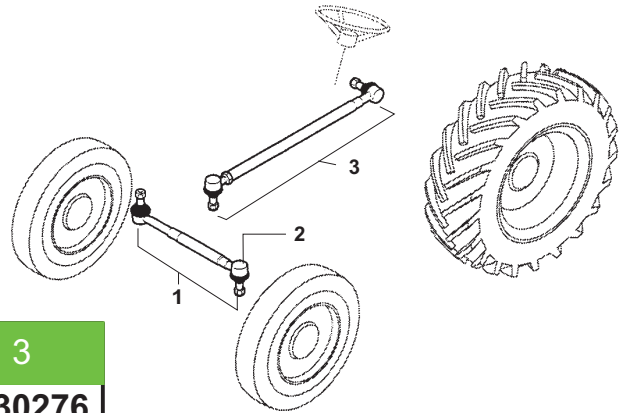
Please see Index for alternative O.E. part numbers.

These parts are Sparex parts and are not manufactured by the Original Equipment Manufacturer.

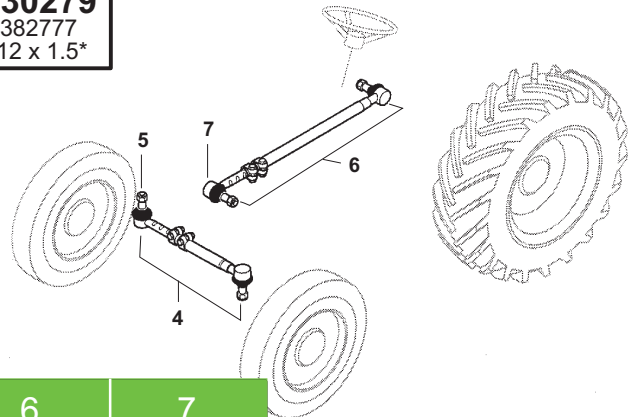
Original Equipment Manufacturer names, part numbers and descriptions are quoted for reference purposes only.

Spare Parts for DEUTZ & DEUTZ/ALLIS Tractors

Drag Links and Tie Rod Ends



Tractor Model	1	2	3
D25, D30 (Fixed)	S.30270 3387880 M10*	S.30272 3387862 M10*	S.30276 3387860 M12 x 1.5*
D40, D40L, D40.2 (Fixed)	S.30270 3387880 M10*	S.30272 3387862 M10*	S.30277 3387861 M12 x 1.5*
D2506, D3006 (Fixed)	S.30271 2382758 M10*	S.30273 2381195 M10*	S.30278 2382778 M12 x 1.5*
D4006, D4506 (Fixed)	S.30271 2382758 M10*	S.30273 2381195 M10*	S.30279 2382777 M12 x 1.5*

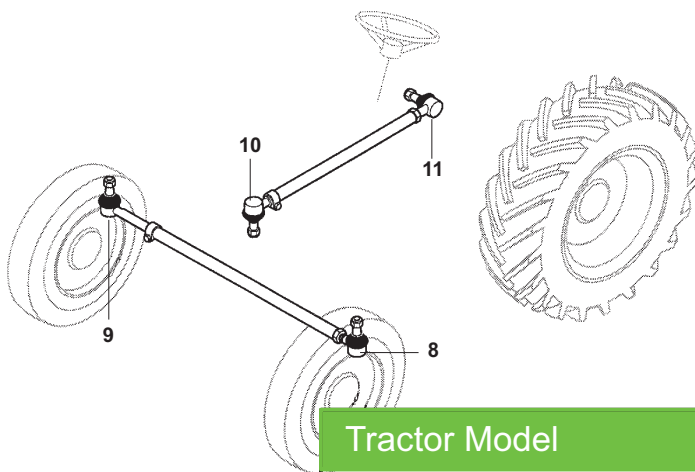


Tractor Model	4	5	6	7
D25, D30 (Adjustable)	S.30274 3387877 M10*	S.30272 3387862 M10*	S.30280 3387874	S.30285 M12 x 1.5*
D40, D40L, D40.2 (Adjustable)	S.30274 3387877 M10*	S.30272 3387862 M10*	S.30281 3388983	S.30286 M12 x 1.5*
D2506, D3006 (Adjustable)	S.30275 2382761 M10*	S.30273 2381195 M10*	S.30282 2382775	S.30287 2381188 M12 x 1.5*
D4006, D4007, D4506, D4507, D4807, D5006, D5206, D5207 (Adjustable)	S.30275 2382761 M10*	S.30273 2381195 M10*	S.30283 2382774	S.30288 2381193 M12 x 1.5*
D6206 (Adjustable)	S.30275 2382761 M10*	S.30273 2381195 M10*	S.30284 2382773	S.30289 2386988 M12 x 1.5*

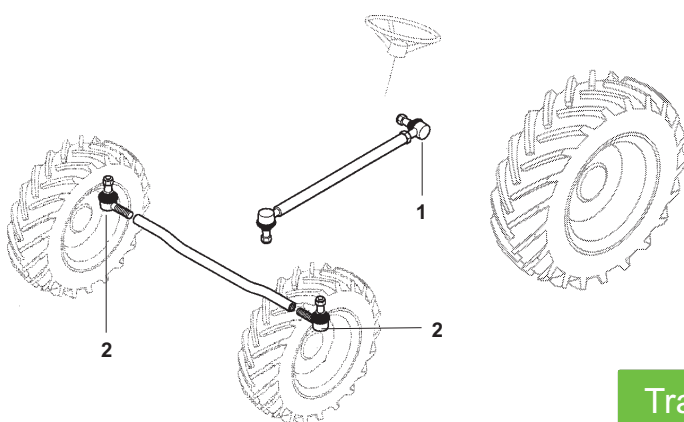
Please see Index for alternative O.E. part numbers.

These parts are Sparex parts and are not manufactured by the Original Equipment Manufacturer. Original Equipment Manufacturer names, part numbers and descriptions are quoted for reference purposes only.

Drag Links and Tie Rod Ends



Tractor Model	8	9	10	11
D6806, D7206, D7506, D8006, D10006, D13006, DX4.30, DX4.50, DX4.70, DX85, DX90	S.63255 2311220	S.63239 4317563	S.63240 2371245	S.63238 2339941
7085	S.63255 2311220	S.63239 4317563		



Tractor Model	1	2
D2506, D3006, D7006	S.63254 2334601	
D5506	S.63254 2334601	S.63235 2311074

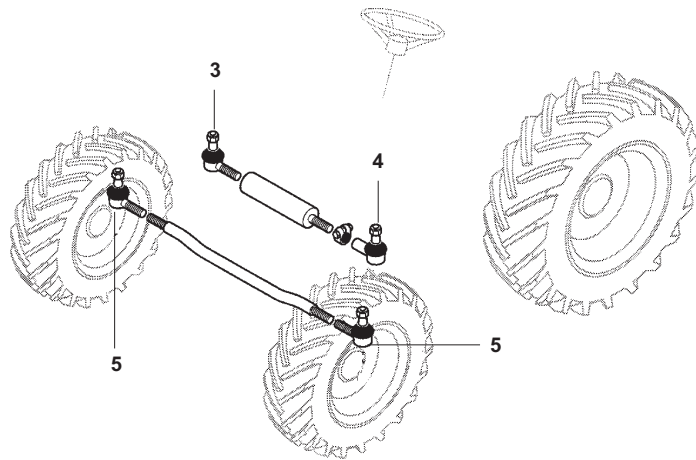
Please see Index for alternative O.E. part numbers.

These parts are Sparex parts and are not manufactured by the Original Equipment Manufacturer.

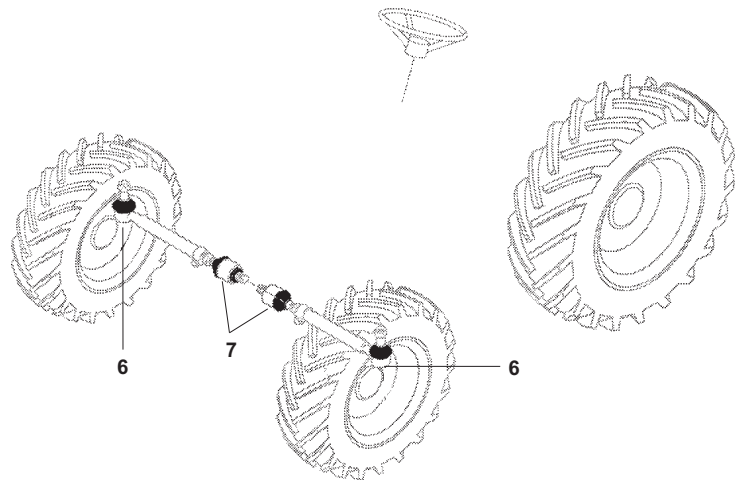
Original Equipment Manufacturer names, part numbers and descriptions are quoted for reference purposes only.

Spare Parts for DEUTZ & DEUTZ/ALLIS Tractors

Drag Links and Tie Rod Ends



Tractor Model	3	4	5
D5506DT, D12506DT, D13006DT (Hydraulic Linkage)	S.63254 2334601	S.63236 2339341	S.63237 2339941
10006HYDR, 12506HYDR, 13006DT-HYDR (Hydraulic Linkage)	S.63254 2334601	S.63236 2339341	



Tractor Model	6	7
6240VC, 6250VC, 6260VC, 6260SC, 6265VC, 6265SC, 6275VC, 6275SC, DX3.30VC, DX3.50SC, DX3.70VC, DX3.70SC, DX3.90VC, DX3.90SC	S.63256 4358286	S.63257 4358287

Please see Index for alternative O.E. part numbers.

These parts are Sparex parts and are not manufactured by the Original Equipment Manufacturer. Original Equipment Manufacturer names, part numbers and descriptions are quoted for reference purposes only.