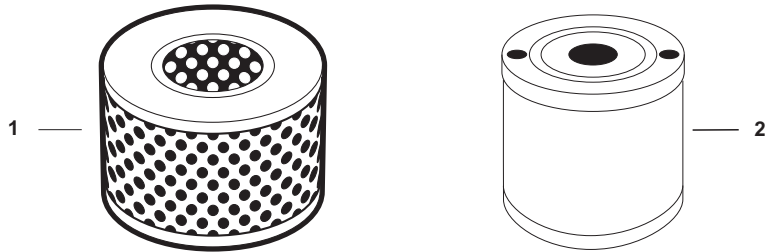


DZ7

Spare Parts for DEUTZ & DEUTZ/ALLIS Tractors

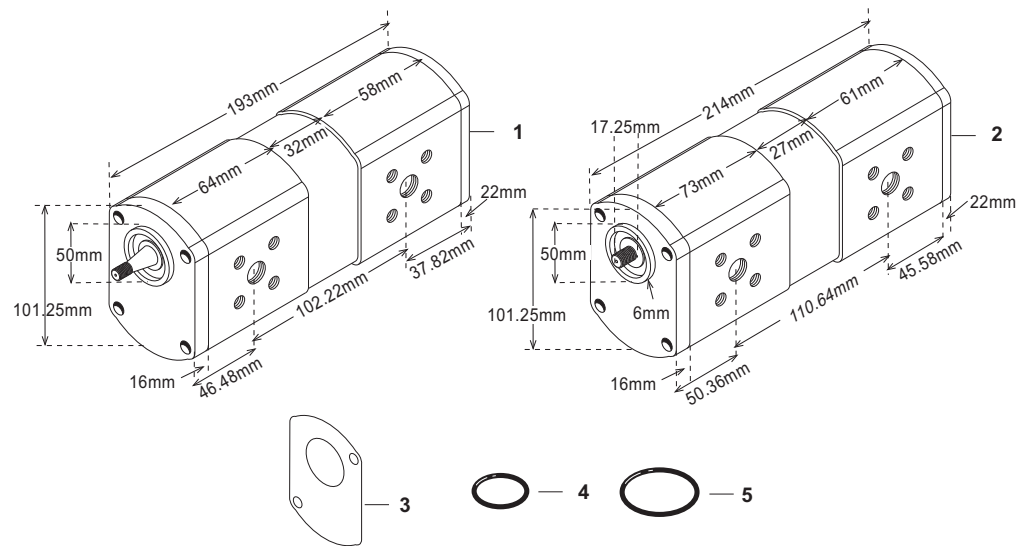
Hydraulic Filters



SPAREX No.	DESCRIPTION	EQUIVALENT	TRACTOR MODEL	
1	S.76687	Hydraulic Filter	2380014	D2506, D3006, D3607, D4006, D4007, D4506, D4507, D4507C, D4807, D4807C, D5006, D5206, D5207, D5207C, D5506, D6006, D6007, D6206, D6806, D7006, D7007, D7206, D7207, D7807, D8006, D9006, INTRAC 2002, INTRAC 2003, INTERAC 2004, DX3.30VC, DX3.70VC, DX3.90VC, 6240VC, 6250VC, 6260VC, 6265VC, 6275VC
1	S.76717	Hydraulic Filter	4399525	D7207C, DX80, DX85, DX86, DX90, DX92, DX110, DX120, DX140, DX145, DX160, DX2.30, DX2.50, DX3.10SC, DX3.10V, DX3.30SC, DX3.50SC, DX3.60SC, DX3.65SC, DX3.70SC, DX3.80SC, DX3.90FS, DX3.90SC, DX4.10, DX4.30, DX4.31, DX4.50, DX4.51, DX4.61, DX4.70, DX4.71, DX6.05, DX6.10, DX6.30
2	S.34497	Hydraulic Filter	4306134	8006, 10006, 13006,

Please see Index for alternative O.E. part numbers.

These parts are Sparex parts and are not manufactured by the Original Equipment Manufacturer. Original Equipment Manufacturer names, part numbers and descriptions are quoted for reference purposes only.



Spare Parts for DEUTZ & DEUTZ/ALLIS Tractors

Hydraulic Pumps and Related Components

SPAREX No.	DESCRIPTION	EQUIVALENT	TRACTOR MODEL
1	S.60724 Hydraulic Pump Counter clockwise Tapered with Single Common Res. 4" Center on Pressure Ports	1176000	D6807, D7007, D7207, D7807, D8006, D10006, D13006, DX3.60, DX3.65, DX3.70VF/S, DX3.90VF, DX4.10, DX4.30, DX4.31, DX4.50, DX4.51, DX4.70, DX80, DX86, DX92, INTRAC 2004
2	S.60723 Hydraulic Pump 22.5 X 14cc Counter clockwise Splined	1176451 1179086	DX3.60, DX3.70, DX3.90, DX6.10, DX6.30, DX6.50, DX85, DX90, DX110, DX120, DX145, 7110, 7120
3	S.34482 Gasket - Hydraulic Pump	0336 4291	Suitable for S.34404, S.34422, S.34426, S.34500, S.34502, S.34503 S.34509, S.34513, S.34518, S.34523, S.34526 S.34530 both single and tandem pumps.
4	S.34489 O'ring - 18 x 2.5mm	0116 6015	Suitable for both single and tandem pump applications
5	S.34490 O'ring - 25 x 2.5mm	0116 6033	Suitable for both single and tandem pump applications

Please see Index for alternative O.E. part numbers.

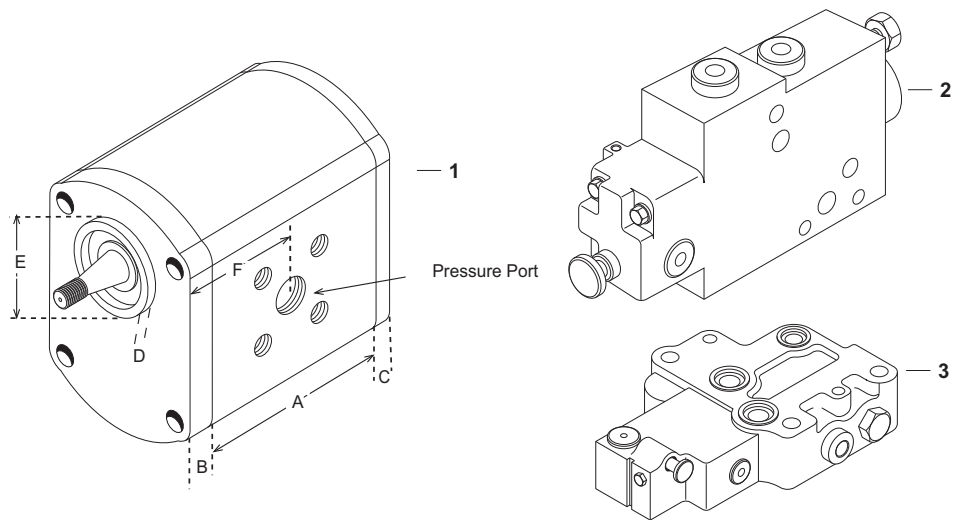
These parts are Sparex parts and are not manufactured by the Original Equipment Manufacturer.

Original Equipment Manufacturer names, part numbers and descriptions are quoted for reference purposes only.

DZ7

Spare Parts for DEUTZ & DEUTZ/ALLIS Tractors

Hydraulic Pump and Control Valves



SPAREX No.	DESCRIPTION	EQUIVALENT	TRACTOR MODEL
1	S.28960 Hydraulic Pump Tapered Shaft 16cc Counter clockwise A= 65.90mm B= 16.30mm C= 18.00mm D= 6.85mm E= 49.93mm F= 49.80mm		
1	S.60722 Hydraulic Pump Tapered Shaft 22cc Counter clockwise A= 73.00mm B= 16.50mm C= 21.25mm D= 6.85mm E= 49.93mm F= 54.25mm		
1	S.60726 Hydraulic Pump Splined 16.5mm Dia. 9 Spline 22cc Counter clockwise A= 68.74mm B= 18.52mm C= 21.25mm D= 6.85mm E= 49.95mm F= 48.52mm		
2	S.360100 Hydraulic Control Valve Single Valve		To fit D25>D50 and D2605>D6005 models with Bosch (Deutz) Hydraulic Controls
	S.360103 Repair Seals		
2	S.360101 Hydraulic Control Valve Double Valve with Float Control Supplied with Extension Bolts		Models as Above
	S.360103 Repair Seals		
2	S.360102 Hydraulic Control Valve Triple Valve with Float Control Supplied with Extension Bolts		Models as Above
	S.360103 Repair Seals		
3	S.360110 Hydraulic Control Valve Single Valve		To fit D2506>D10006 and DX3.10>DX3.90 models with Bosch (Deutz) Hydraulic Controls
	S.360113 Repair Seals		
3	S.360111 Hydraulic Control Valve Double Valve with Float Control Supplied with Extension Bolts		Models as Above
3	S.360112 Hydraulic Control Valve Triple Valve with Float Control Supplied with Extension Bolts		Models as Above

Please see Index for alternative O.E. part numbers.

These parts are Sparex parts and are not manufactured by the Original Equipment Manufacturer. Original Equipment Manufacturer names, part numbers and descriptions are quoted for reference purposes only.