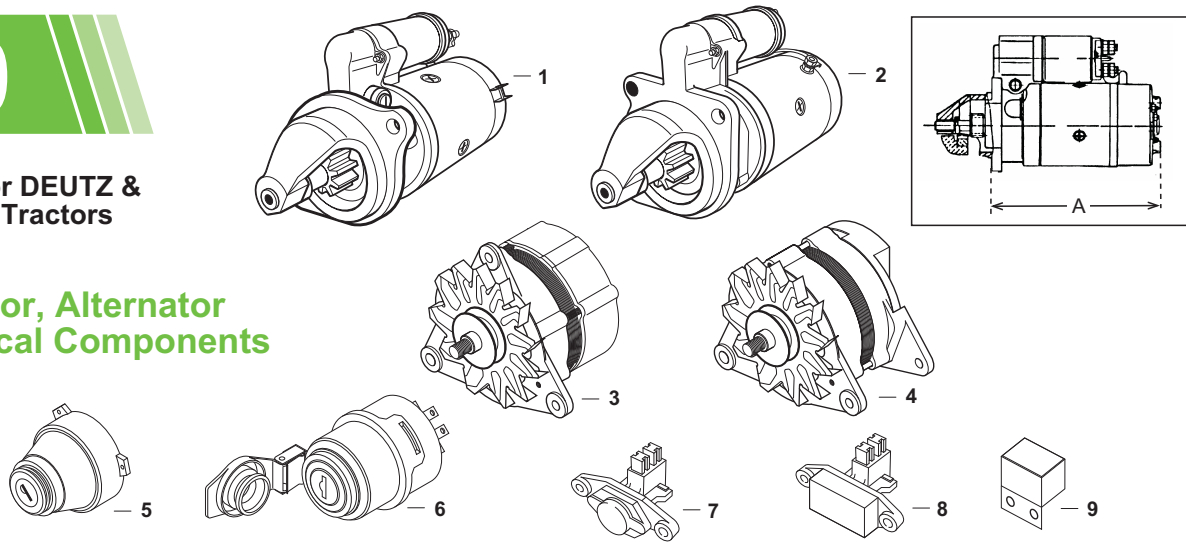


DZ10

Spare Parts for DEUTZ & DEUTZ/ALLIS Tractors

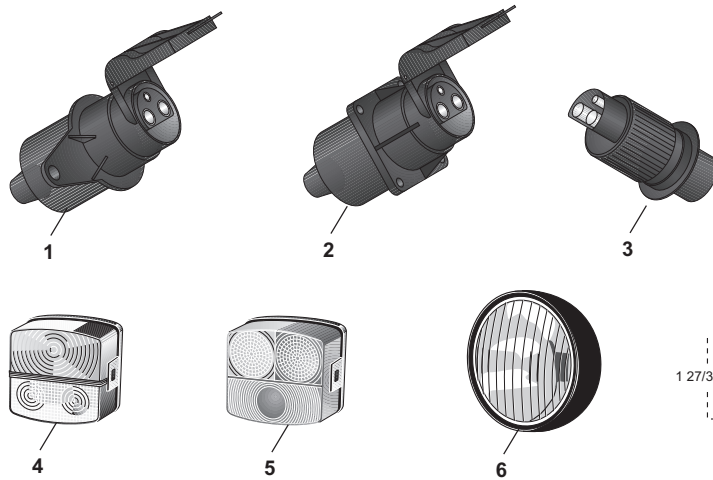
Starter Motor, Alternator and Electrical Components



SPAREX No.	DESCRIPTION	EQUIVALENT	TRACTOR MODEL
1	S.35983 Starter Motor - 3.0Kw - 2 Bolt, LH		12 Volt, 11 Tooth Pinion, A=270mm Long
2	S.35973 Starter Motor - 2.7Kw - 3 Bolt, LH		12 Volt, 9 Tooth Pinion, A=220mm Long
2	S.36000 Starter Motor - 3.0Kw - 3 Bolt, LH		12 Volt, 9 Tooth Pinion, A=235mm Long
2	S.60940 Starter Motor - 4.0Kw - 3 Bolt, LH		24 Volt, 9 Tooth Pinion, A=260mm Long
2	S.35969 Starter Motor - 3.7Kw - 3 Bolt, LH		9 Tooth Pinion, A=265mm Long
3	S.35954 Alternator - 14V 65amp		DX36, DX50, DX80, DX85, DX86, DX90, DX92, DX110, DX120
4	S.35940 Alternator - 14V 33amp		D50, D2505, D2506, D3005, D3006, D3607, D4005, D4006, D4007, D4505, D4506, D4507, D4807, D5005, D5006, D5206, D5207, D5505, D5506, D6005, D6006, D6007, D6206, D6207, D6507, D6806, D6807, D6907, D7006, D7007, D7206, D7207, D7807, D8005, D8006, D9005, D9006, D10006, D13006, DX36, DX50, DX80, DX85, DX86, DX90, DX92, INTRAC 2003, INTRAC 2004, INTRAC 2005
4	S.35941 Alternator - 14V 65amp		DX3.10, DX3.30, DX3.50, DX3.57, DX3.60, DX3.70, DX3.80, DX3.90, DX4.10, DX4.30, DX4.31, DX4.50, DX4.51, DX4.70, DX4.80, DX4.90, DX4.95, DX6.00, DX6.05, DX6.10, DX6.15, DX6.20, DX6.30, DX6.31, DX6.45, DX6.50, DX6.60, DX6.71, DX6.81, DX7.10, DX8.30, DX8.31, dx140, dx145, DX160
5	S.36013 Switch - Ignition Light Bosch Reference : 0342 106 012 with Keys	0117 1411 0117 1442	To fit 06 and 07 series applications
6	S.36014 Switch - Starter with Cold Start with Keys	0117 1659 0117 6269	To fit 06 and 07 series application
7	S.36005 Voltage Regulator - 14V	0117 3068 2060 BH-14K	To fit Bosch reference : 1197 311 000, 1197 311 001, 1197 311 002,
8	S.36004 Regulator Bosch Reference : 195052005	0130 6557	Suitable for D3006 > D7206
8	S.36006 Regulator Bosch Reference : 195052020	0117 3069	D6507, D7207, D7807C, D8006, D13006
9	S.36002 Regulator (Direct current)	0116 3008	To fit Bosch reference : 190601009

Please see Index for alternative O.E. part numbers.

These parts are Sparex parts and are not manufactured by the Original Equipment Manufacturer. Original Equipment Manufacturer names, part numbers and descriptions are quoted for reference purposes only.



Lamps and Electrical Components

SPAREX No.	DESCRIPTION	EQUIVALENT	TRACTOR MODEL
1	S.56375 Socket - 3 Pin 2 bolt fixing hole		Suitable for various applications
2	S.56377 Socket - 3 Pin 4 bolt fixing hole		Suitable for various applications
3	S.56376 Plug - 3 Pin		Fits S.56375 & S.56377 Sockets
4	S.56130 Lamp - Front Marker / LH Amber/Clear (Less Bulb) (90mm H x 95mm L) Mount Holes 45mm c to c		Suitable for various applications
4	S.56131 Lamp - Front Marker / RH Amber/Clear (Less Bulb) S.56159 Lens Amber/Clear (for S.56130, S.56131)		Suitable for various applications
5	S.56081 Rear Light / LH Red Tail, Red Stop, Amber Turn License Plate (Less Bulb) (90mm H x 95mm L) Mount Holes 45mm c to c S.56155 Lens - Rear / LH Red Tail, Red Stop, Amber Turn License Plate (S.56081)		
5	S.56082 Rear Light / RH Red Tail, Red Stop, Amber Turn (Less Bulb) (90mm H x 95mm L) Mount Holes 45mm c to c S.56156 Lens - Rear / RH Red Tail, Red Stop, Amber Turn		
6	S.51247 Headlamp (Less Bulb)		6000 and 7000 Series
7	S.05079 Bulb - 21 watt Turn, Stop, Parking		
8	S.05076 Bulb - 10 watt License Plate		
9	S.04779 Bulb - Headlight (for S.51247) S.05090 S.04779 - 45/50 watt S.05090 - 60/55 watt Halogen		

Please see Index for alternative O.E. part numbers.

These parts are Sparex parts and are not manufactured by the Original Equipment Manufacturer.

Original Equipment Manufacturer names, part numbers and descriptions are quoted for reference purposes only.